



IPC

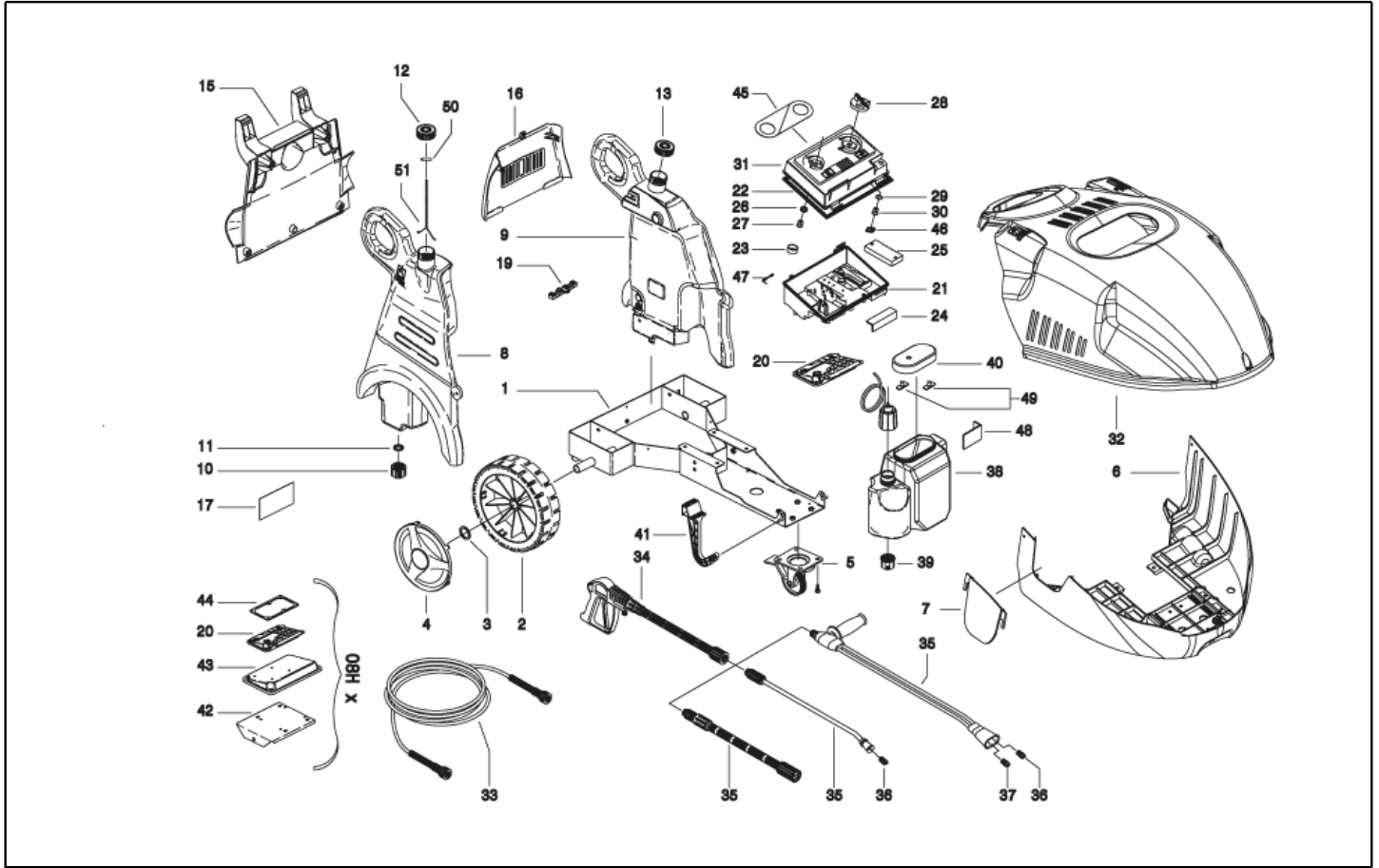
Spare Parts List

Ref: IDAC50318

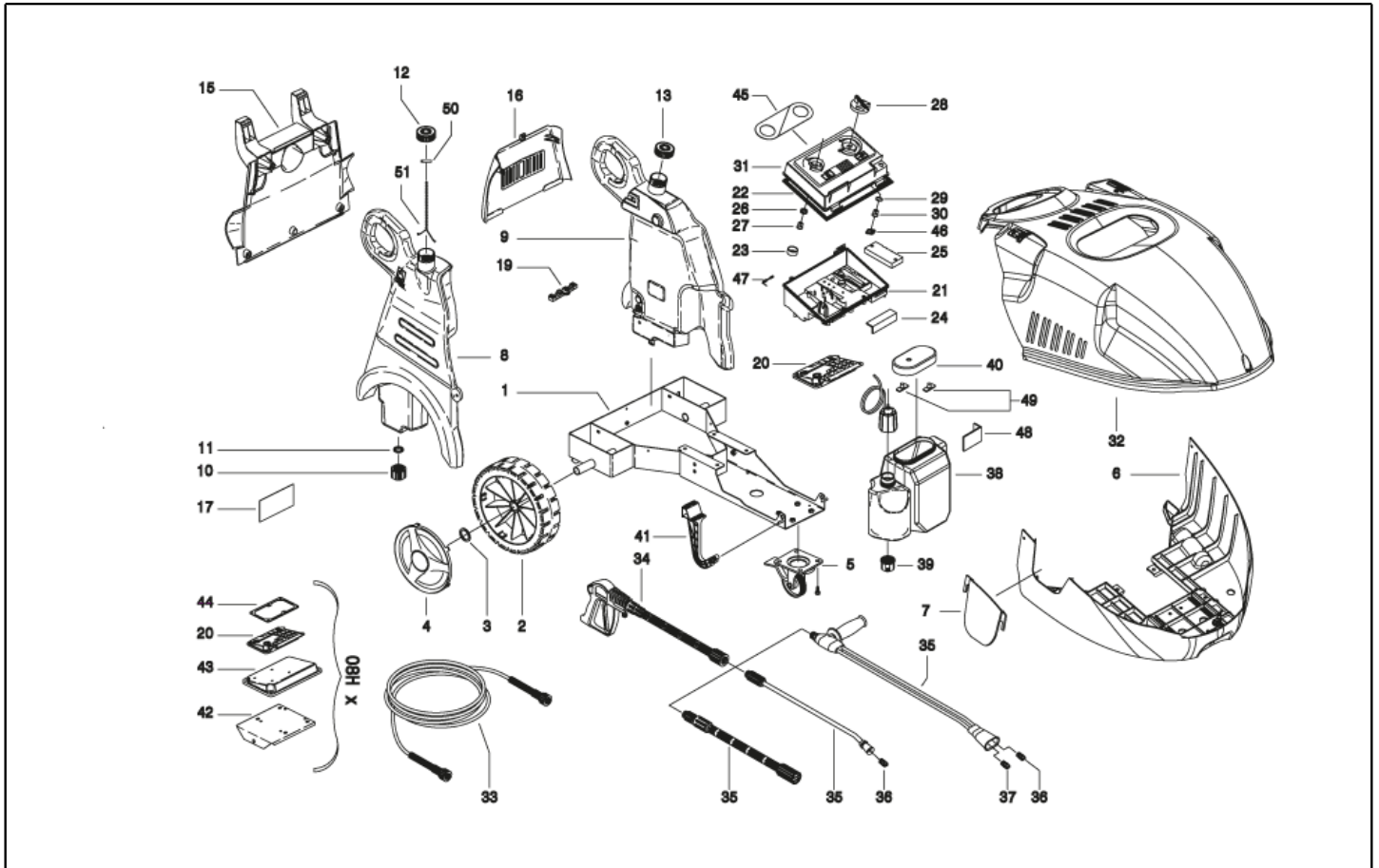
Cust.Ref: .

Model: NETTOYEUR CH215.AXP2540T 400/50 ICA

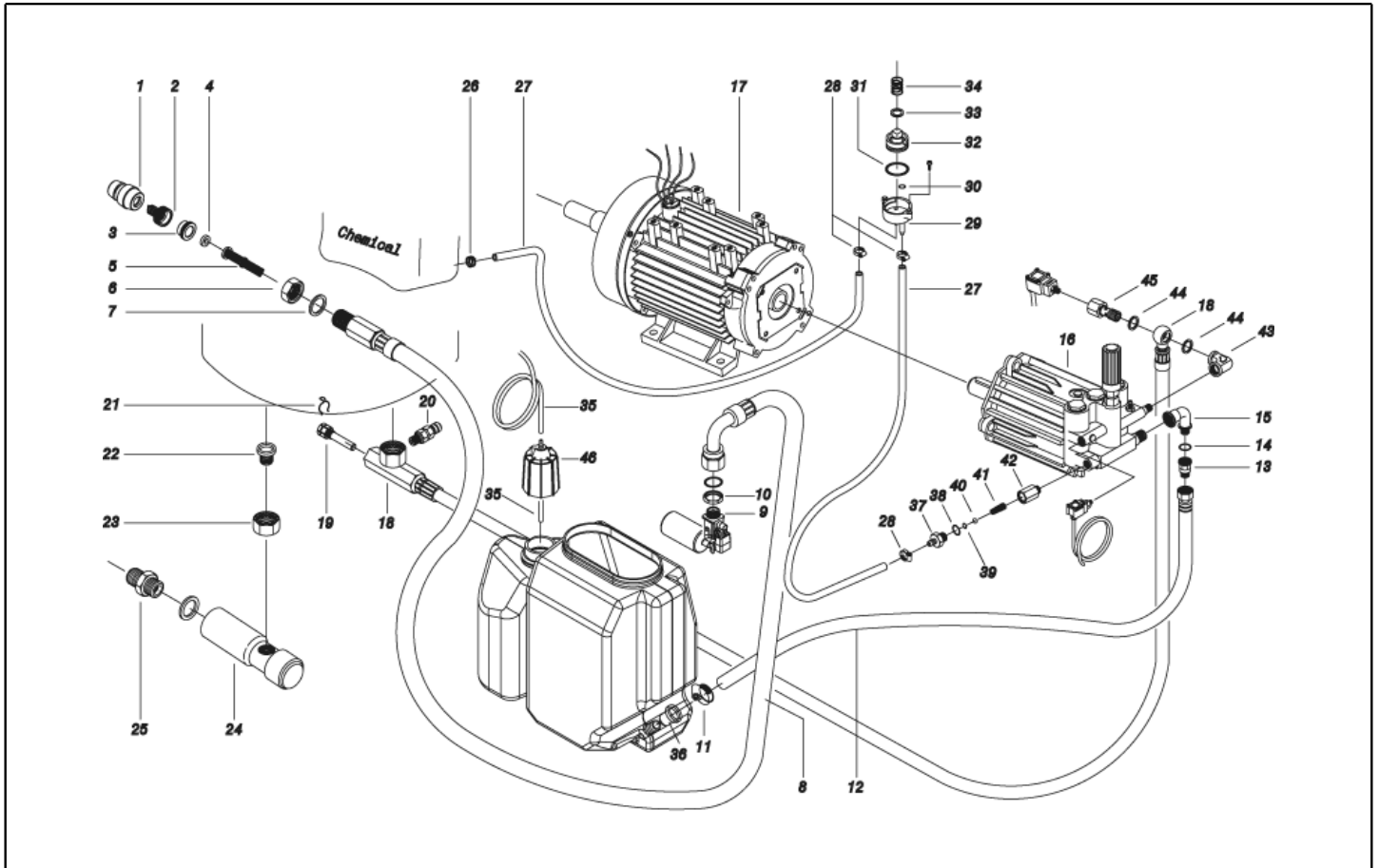
Cust.Model: CHALLENGE2 160 / 13 TAB X



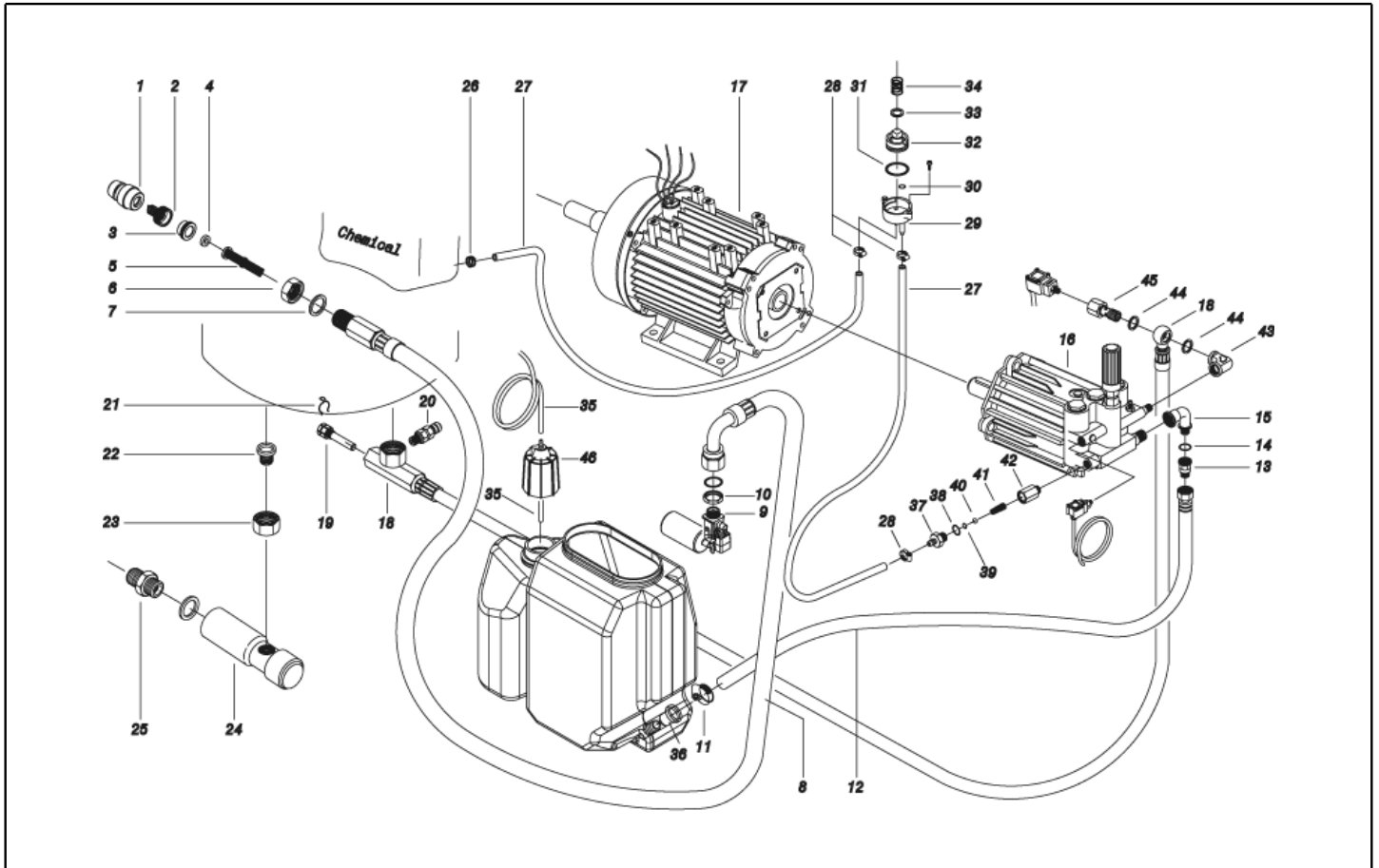
| Ref. K | Part N. | Part N. 2 | Description | Quantity | Validity | | Price |
|--------|-----------|-----------|--|----------|------------|------------|-------|
| | | | | | From | To | |
| 0001 | LAFN40288 | | CHARIOT P190 3V. BK. | 1,00 | 05/07/2010 | | -- |
| 0001 | LAFN48940 | 00048940 | CHARIOT P190 2V. BK. | 1,00 | | 04/07/2010 | -- |
| 0002 | RTRT40045 | | ROUE D.300-D.25 FLY-IPC BK/GRN | 2,00 | 01/12/2015 | | -- |
| 0002 | RTRT45383 | 00045383 | ROUE D.305-D.25 RT-IPC | 2,00 | | 30/11/2015 | -- |
| 0003 | VTRS09813 | 00009813 | RONDELLE D.25 | 2,00 | | | -- |
| 0004 | MPVR40292 | | ENJOLIVEUR D. 305 RT-PRT GR.368C | 2,00 | | 30/11/2015 | -- |
| 0004 | MPVR40734 | | ENJOLIVEUR D.50 G-48/IPC GR.368C | 2,00 | 01/12/2015 | | -- |
| 0005 | RTRT47975 | 00047975 | ROUE PIVOTTANTE D.100 P MZ.PLS. | 1,00 | | | -- |
| 0006 | MPVR48384 | 00048384 | COUVERTURE P190 PPL.BK | 1,00 | | | -- |
| 0007 | MPVR48383 | 00048383 | GUICHET P190 PPL.BK | 1,00 | | | -- |
| 0008 | MPVR49452 | 00049452 | RESERVOIR P190-215 PEHD | 1,00 | | | -- |
| 0009 | MPVR40117 | | RESERVOIR FUEL P190-215 2V. PEHD | 1,00 | | | -- |
| 0010 | PVVR11806 | 00011806 | BOUCHON ECHAPP. FLL | 2,00 | | | -- |
| 0011 | GUGO11489 | 00011489 | GARNITURE D.22X1,5 | 2,00 | | | -- |
| 0012 | MPVR45426 | 00045426 | BOUCHON RESERV. P176 PEHD | 1,00 | | | -- |
| 0012 | MPVR40005 | | BOUCHON RESERV. P176 PEHD BL. | 1,00 | | 14/04/2012 | -- |
| 0012 | MPVR40401 | | BOUCHON RESERV. P176 PEHD BL. C/F. | 1,00 | 15/04/2012 | | -- |
| 0015 | MPVR48116 | 00048116 | PANNEAU POST. P190 PPL BK. | 1,00 | | | -- |
| 0015 | MPVR40285 | | PANNEAU POST. P190 PPL GR.368C | 1,00 | | | -- |
| 0019 | MEVR33994 | 00033994 | COLLIER DE SER. 4228 B D. 6- 18 | 1,00 | | | -- |
| 0020 | MPVR47818 | 00047818 | PLAQUE P190 PA6 BK. | 1,00 | | | -- |
| 0021 | LAFN20138 | 00020138 | BOITE CONTROLE KSM ABS BK. | 1,00 | 19/07/2012 | | -- |
| 0022 | GUGO27129 | 00027129 | GARNITURE 10X3 | 1,05 | 19/07/2012 | | -- |
| 0024 | LAFN30211 | 00030211 | SUPPORT SLR | 1,00 | 19/07/2012 | | -- |
| 0025 | MPVR20143 | 00020143 | COUVERCLE CABLE KSM | 1,00 | 19/07/2012 | | -- |
| 0026 | GUGO01035 | 00001035 | O-RING D. 13.95 X 2.62 NBR 70SH | 1,00 | 19/07/2012 | | -- |
| 0027 | MPVR23482 | 00023482 | TALON TEC. TUV | 1,00 | 19/07/2012 | | -- |
| 0028 | MPVR49057 | 00049057 | POIGNEE NOIRE P176-M.RACE PA6 | 3,00 | | | -- |
| 0029 | GUGO23079 | 00023079 | BAGUE V-SEAL VA0014 13.5- 15.5 | 1,00 | 19/07/2012 | | -- |
| 0030 | MPVR23484 | 00023484 | TALON THERM.KSM TUV | 1,00 | 19/07/2012 | | -- |
| 0031 | MPVR88820 | | COUVERCLE BOITE P190 C/F.THS BK. | 1,00 | 19/07/2012 | | -- |
| 0032 | MPVR40284 | | COUVERTURE VERT P190-215 SUP. PP GR.368C | 1,00 | | | -- |
| 0033 | TBAP40012 | | TUYAU H.P. R1 MT 10 1/4" C/2 IRV IX | 1,00 | | | -- |
| 0034 | IPPR89429 | | POIGNEE G 4500 - P.330 -M22SW.M V | 1,00 | | 10/06/2011 | -- |
| 0034 | IPPR40002 | | POIGNEE G 5000+P.330 +M22 SW.M V | 1,00 | 11/06/2011 | 07/12/2011 | -- |
| 0034 | IPPR40010 | | POIGNEE G 5100+P.330 +M22 SW.M V | 1,00 | 08/12/2011 | 29/02/2016 | -- |
| 0034 | IPPR40020 | | POIGNEE G 6000+P.330 +M22 SW.M V | 1,00 | 01/03/2016 | 14/06/2018 | -- |
| 0034 | IPPR40025 | | POIGNEE G 6000+P.330 +M22 SW.M 2V | 1,00 | 15/06/2018 | | -- |
| 0035 | LCPR12976 | 00012976 | RALLONGE P 70 | 1,00 | 15/03/2007 | 30/11/2016 | -- |
| 0035 | LCPR40087 | | RALLONGE P 70 -P20.IX700 M22 M | 1,00 | 01/12/2016 | | -- |
| 0036 | UGLN49987 | 00049987 | BUSE LECH 1/4 15045 | 1,00 | | | -- |
| 0038 | MPVR89076 | | RESERVOIR EAU P190-2V. PEHD BK. | 1,00 | | | -- |
| 0039 | MPVR20187 | 00020187 | FRETTE M 39 X 3 | 1,00 | | | -- |
| 0040 | MPVR40516 | | COUVERC.RES. P190-35 PA6 BL. | 1,00 | 01/05/2015 | | -- |



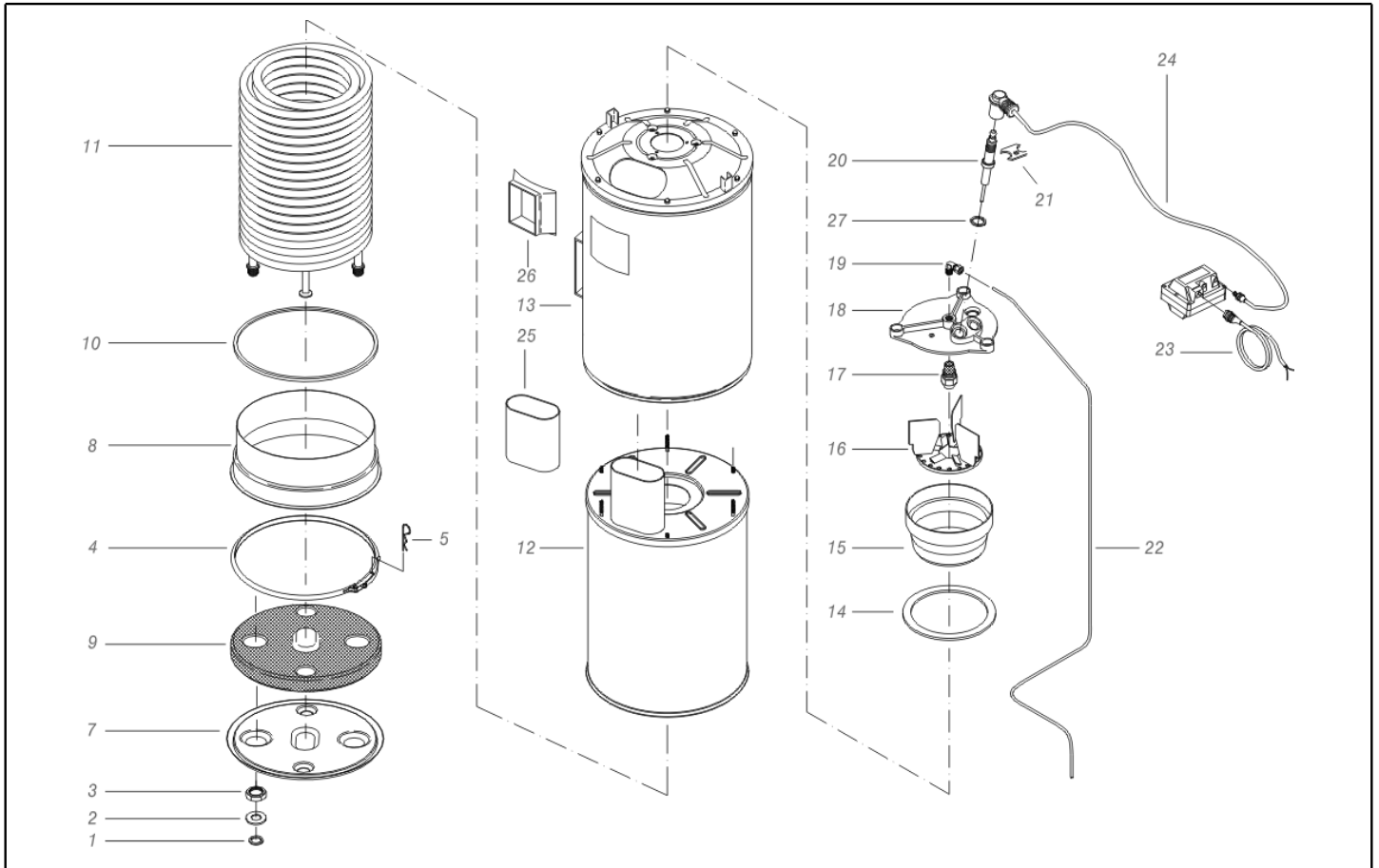
| Ref. K | Part N. | Part N. 2 | Description | Quantity | Validity | | Price |
|--------|-----------|-----------|------------------------------------|----------|------------|------------|-------|
| | | | | | From | To | |
| 0040 | MPVR89077 | | COUVERC.RES. P190 PA6 BL. | 1,00 | | 30/04/2015 | -- |
| 0041 | MPVR47819 | 00047819 | BRIDE P190 PA6 BK. | 2,00 | | | -- |
| 0045 | ETET40403 | | ETICHETTE P190-PW GRN PLC | 1,00 | | | -- |
| 0046 | MPVR41903 | 00041903 | EPAISSEUR TERM.IM.PA66 | 1,00 | 19/07/2012 | | -- |
| 0048 | LAFN89079 | | PANNEAU P190 INX | 1,00 | | | -- |
| 0049 | MPVR89078 | | PLAQUETTE P190 PA6 BL. | 2,00 | | | -- |
| 0050 | LAFN40498 | | PIVOT D. 6 X 12-15 IX | 1,00 | 15/04/2012 | | -- |
| 0051 | CMCV40001 | | CORDE D. 1.6 L= 200 M4 M INX | 1,00 | | 14/04/2012 | -- |
| 0051 | VTVR40026 | | CHAINETTE 13MG. INX L=220 G.V-MSC. | 1,00 | 15/04/2012 | | -- |
| 0053 | MEVR27264 | 00027264 | PORTE-FUSIBLES 031-1081 | 1,00 | 19/07/2012 | | -- |



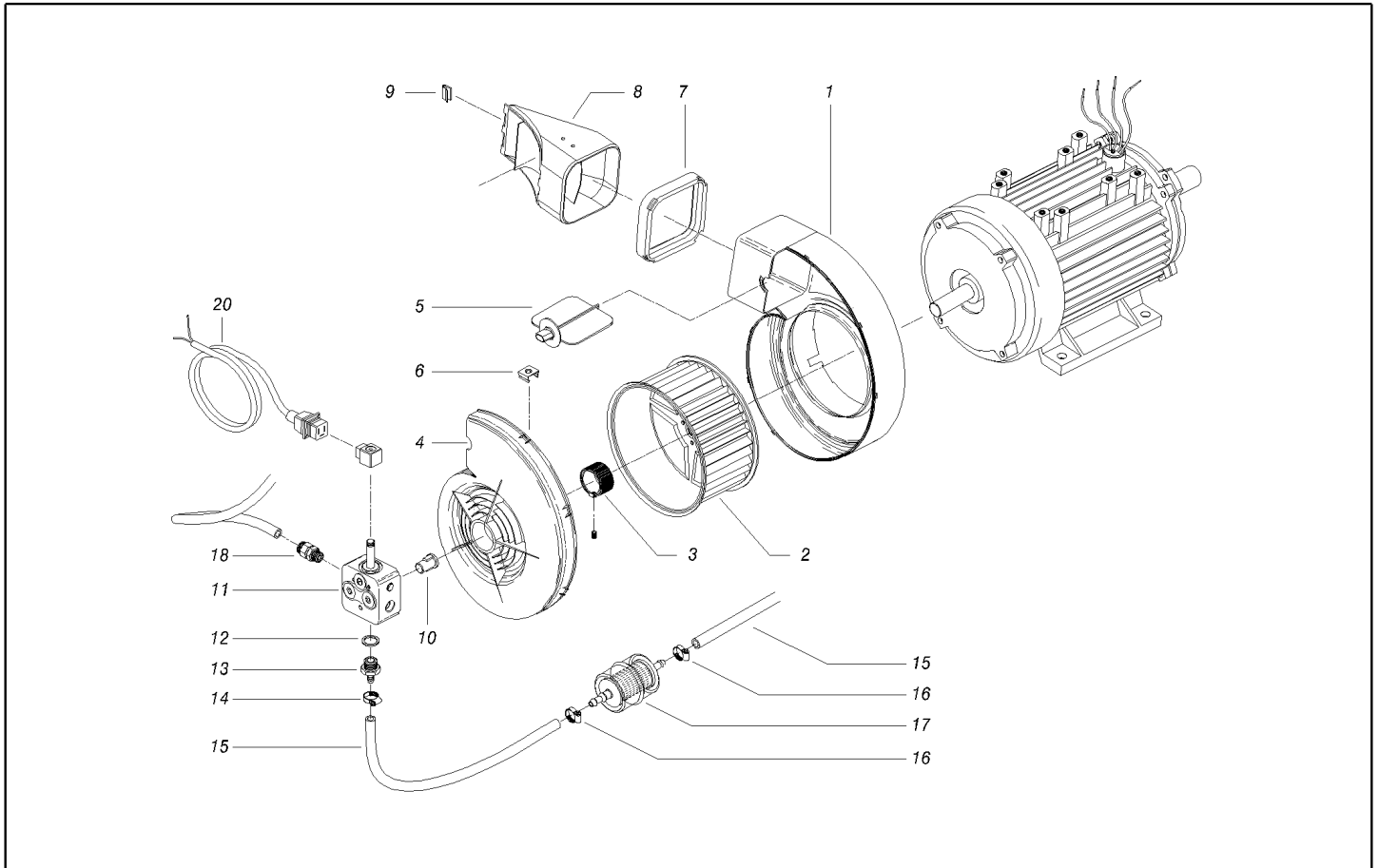
| Ref. K | Part N. | Part N. 2 | Description | Quantity | Validity | | Price |
|--------|-----------|-----------|--|----------|------------|------------|-------|
| | | | | | From | To | |
| 0001 | RCVR29602 | 00029602 | RACCORD D. 1/2"-5/8" PTC | 1,00 | | | -- |
| 0002 | RCVR29600 | 00029600 | PRISE PTC 3/4 F | 1,00 | | | -- |
| 0003 | RCVR37806 | 00037806 | REDUCTION PTC 3/4-1/2 M/F | 1,00 | | | -- |
| 0004 | GUGO37736 | 00037736 | JOINT D. 10- 19 X 5 70SH | 1,00 | | | -- |
| 0005 | FTAC30214 | 00030214 | FILTRE D.15X67 | 1,00 | | | -- |
| 0006 | RCDS49875 | 00049875 | FRETTE 1/2"X 6 CH.27 OT. | 1,00 | | | -- |
| 0007 | VTRS00549 | 00000549 | RONDELLE D.21,5X27X1.5 (1/2) RM | 1,00 | | | -- |
| 0008 | TBBP48636 | 00048636 | TUYAU B.P. L= 950 3/4F 90°- 1/2M 0° | 1,00 | | | -- |
| 0009 | RCGR40005 | | FLOTTEUR MTM 3/4 PP. S/F. +ADP.176 | 1,00 | 11/05/2010 | | -- |
| 0010 | RCVR49974 | 00049974 | FRETTE 3/4" X 4 NIK | 1,00 | | | -- |
| 0011 | FSVR00431 | 00000431 | COLLIER D. 16-25 | 1,00 | | | -- |
| 0012 | TBBP87602 | 00087602 | TUYAU B.P. L=350 3/4F 90°-LB. | 1,00 | | | -- |
| 0013 | RCVR40022 | | REDUCTION 3/4-1/2 M/F PPL GEO.L | 1,00 | | | -- |
| 0014 | GUGO19395 | 00019395 | O-RING D. 20.24 X 2.62 NBR 70SH | 1,00 | | | -- |
| 0015 | RCVR40021 | | COUDE 1/2" M/F PPL GEO.L | 1,00 | | | -- |
| 0016 | PPAP40036 | | POMPE SJS 12.17 AX N OT.1.4.0NP | 1,00 | | | -- |
| 0017 | MOTR40009 | | MOTEUR 3PH P190 HP 5,5 400-50 2PH9/X | 1,00 | | 28/02/2011 | -- |
| 0017 | MOTR40025 | | MOTEUR 3PH P190 HP 5,5 400-50 2PH9/E | 1,00 | 01/03/2011 | | -- |
| 0018 | TBAP40037 | | TUYAU D.JONCT. 3/ 8 R1 L=480 3/8OC.-PM26 | 1,00 | | | -- |
| 0019 | RCDS00593 | 00000593 | RECUPERATION IM 0-120 L=50 | 1,00 | | | -- |
| 0020 | VVSC47427 | 00047427 | SOUPAPE MG 1000 G1/4M-M D.8 250B | 1,00 | | | -- |
| 0021 | MLML02623 | 00002623 | RESSORT IMT | 1,00 | | | -- |
| 0022 | RCDS21118 | 00021118 | RACCORD KSM | 1,00 | | | -- |
| 0023 | RCDS21119 | 00021119 | ECROU KSM | 1,00 | | | -- |
| 0024 | RCDS48935 | 00048935 | BLOCAGE 3VIE 3/8-1/4 M14X1 F ZC | 1,00 | | | -- |
| 0025 | RCDS13012 | 00013012 | NIPPLE M22-3/8 D. 7.5 | 1,00 | | | -- |
| 0026 | FSVR72803 | 00072803 | COLLIER D 9.3 - 9.9 | 2,00 | | | -- |
| 0027 | TBBP04917 | 00004917 | TUYAU B.P. D. 6- 9 | 0,85 | | 30/04/2012 | -- |
| 0027 | TBBP93804 | | TUYAU B.P. D. 6- 9 | 0,85 | 01/05/2012 | | -- |
| 0027 | TBBP04917 | 00004917 | TUYAU B.P. D. 6- 9 | 0,50 | | 30/04/2012 | -- |
| 0027 | TBBP93804 | | TUYAU B.P. D. 6- 9 | 0,50 | 01/05/2012 | | -- |
| 0028 | FSVR11957 | 00011957 | COLLIER D. 9.5-12 CLIC | 2,00 | | | -- |
| 0029 | RCGR08069 | 00008069 | CORPS ROBINET DET. PRT | 1,00 | | | -- |
| 0030 | GUGO08071 | 00008071 | O-RING D. 4.48 X 1.78 NBR 70SH | 1,00 | | | -- |
| 0031 | GUGO12183 | 00012183 | O-RING D. 23.4 X 3.53 VIT 70SH | 1,00 | | | -- |
| 0032 | RCGR08070 | 00008070 | REGULATEUR PRT | 1,00 | | | -- |
| 0033 | VTRS00542 | 00000542 | RONDELLE D.14X20 | 1,00 | | | -- |
| 0034 | MLML08068 | 00008068 | RESSORT D.1,5 L.23 | 1,00 | | | -- |
| 0035 | TBBP00058 | 00000058 | TUYAU B.P. D. 4- 7 | 0,25 | | | -- |
| 0035 | TBBP00058 | 00000058 | TUYAU B.P. D. 4- 7 | 0,35 | | | -- |
| 0036 | MPVR40177 | | BUSE A EAU P190 D. 7 PVC | 1,00 | 01/04/2009 | | -- |
| 0036 | FSVR72800 | 00072800 | COLLIER D 8.3 - 8.8 | 2,00 | | | -- |
| 0037 | RCDS10546 | 00010546 | SIEGE SOUPAPE 1/4M + PG. D.3-7.5 OTT | 1,00 | 01/04/2009 | | -- |
| 0038 | GUGO01036 | 00001036 | O-RING D. 10.82 X 1.78 NBR 70SH | 1,00 | 01/04/2009 | | -- |



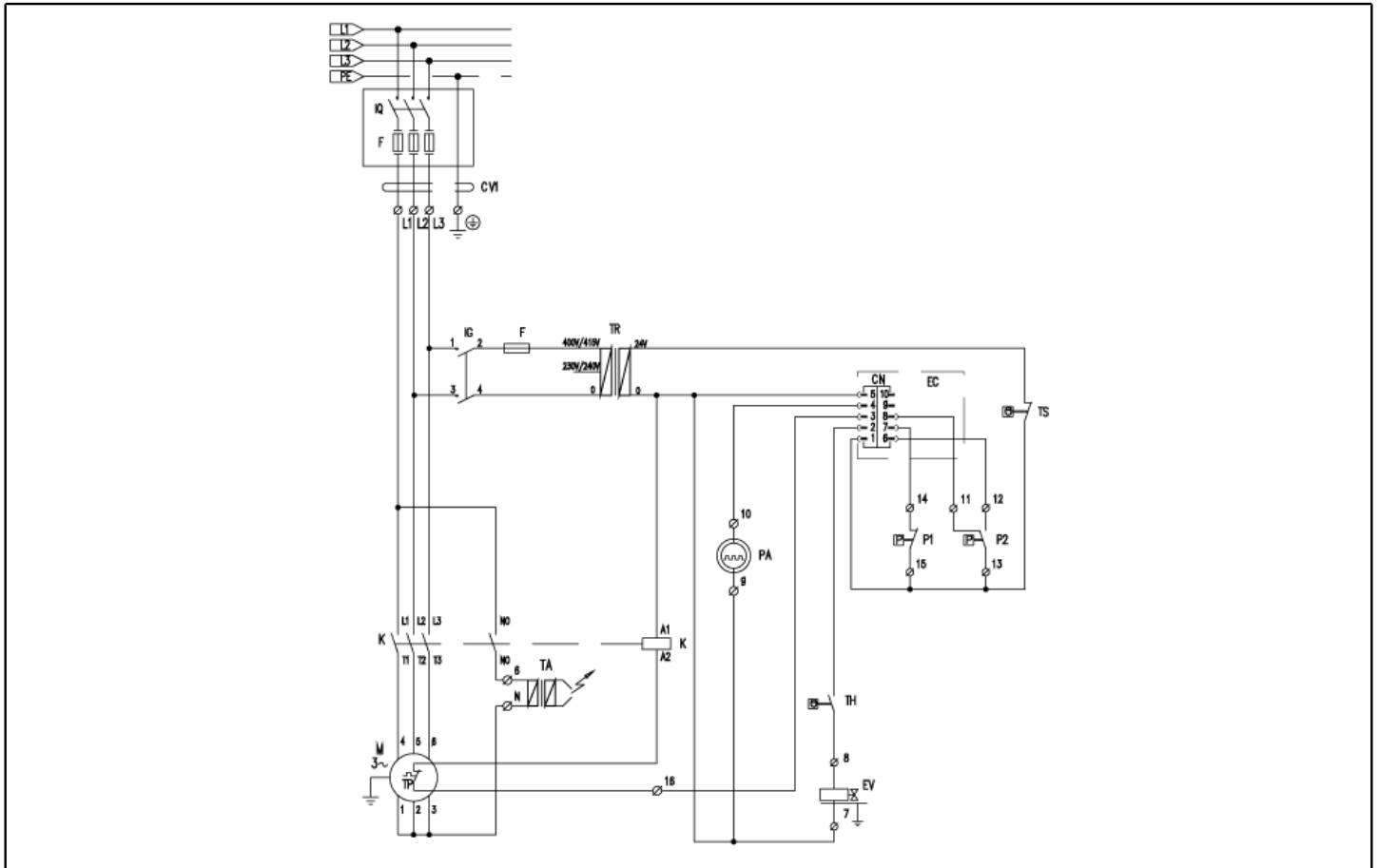
| Ref. K | Part N. | Part N. 2 | Description | Quantity | Validity | | Price |
|--------|-----------|-----------|------------------------------------|----------|------------|------------|-------|
| | | | | | From | To | |
| 0039 | GUGO01055 | 00001055 | O-RING D. 5.28 X 1.78 VIT 70SH | 1,00 | 01/04/2009 | -- | -- |
| 0040 | SFVR04274 | 00004274 | BILLE D. 7/32 | 1,00 | 01/04/2009 | -- | -- |
| 0041 | MLML21505 | 00021505 | RESSORT D. 8 X5 X0.3 | 1,00 | 01/04/2009 | -- | -- |
| 0042 | RCDS46072 | 00046072 | CORPS VALVE N/R 1/4F-1/4 P176 OT | 1,00 | 01/04/2009 | -- | -- |
| 0043 | RCVR41987 | 00041987 | COUDE 3/8" F A.P. OT.MTM | 1,00 | | -- | -- |
| 0044 | VTRS00548 | 00000548 | RONDELLE D.17.5X23X1,5 (3/8)RM | 2,00 | | -- | -- |
| 0045 | RCDS40031 | | VIS CREUSE G 3/8 - 3/8F L=48.5 ZC. | 1,00 | | -- | -- |
| 0046 | MPVR20904 | 00020904 | BOUCHON KSM | 1,00 | | 30/11/2013 | -- |
| 0046 | MPVR40588 | | BOUCHON KSM +F. | 1,00 | 01/12/2013 | | -- |



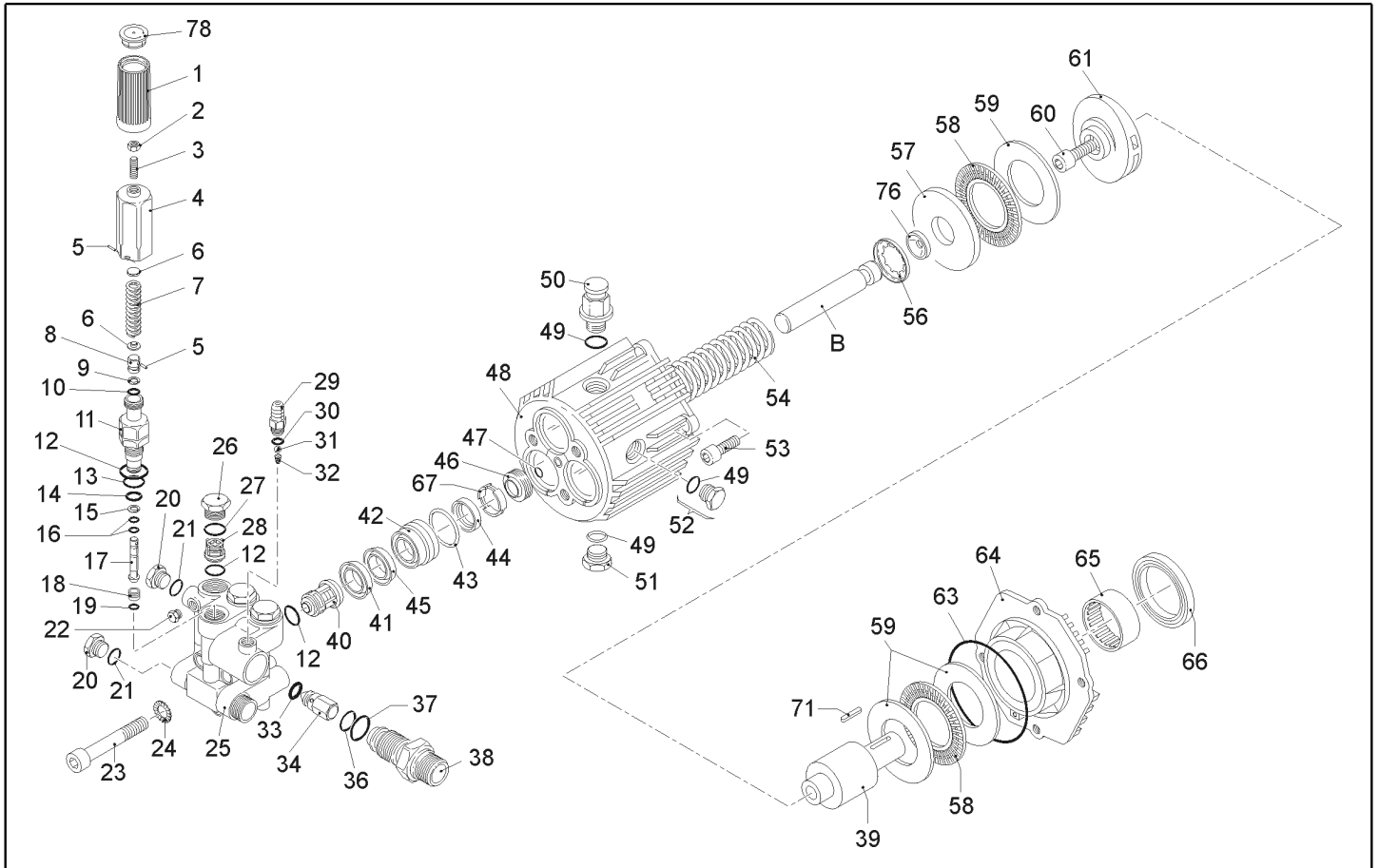
| Ref. K | Part N. | Part N. 2 | Description | Quantity | Validity | | Price |
|--------|-----------|-----------|--|----------|------------|------------|-------|
| | | | | | From | To | |
| 0001 | GUGO21222 | 00021222 | O-RING D. 15.54 X 2.62 VIT 80SH | 2,00 | | | -- |
| 0002 | GUVR21021 | 00021021 | BAGUE ANTIEXTR. D. 21 X17 TEF. | 2,00 | | | -- |
| 0003 | RCDS21120 | 00021120 | FRETTE M 26 X 1,5 | 2,00 | | | -- |
| 0004 | LAFN20108 | 00020108 | BAGUE D.298 KSM | 1,00 | | | -- |
| 0005 | VTVR47052 | 00047052 | GOUPILLE "R" D. 2 X 43 ZC | 1,00 | | | -- |
| 0007 | LAFN48448 | 00048448 | FOND CHAUDIERE KSM 2V. ZN | 1,00 | | | -- |
| 0008 | LAFN48368 | 00048368 | BANDE KSM 2V. INX | 1,00 | | | -- |
| 0009 | ITTE48373 | 00048373 | FOND KSM C.TE | 1,00 | | | -- |
| 0010 | GUVR21756 | 00021756 | CORDON F.VERRE D. 12 GR/M 25 | 0,80 | | 23/04/2003 | -- |
| 0011 | LAGR29730 | 00029730 | SERPENTIN DOUB. M26X1.5 SLR 26MT GZ. | 1,00 | | | -- |
| 0012 | LAFN29735 | 00029735 | CYLINDRE INT. SLR INX | 1,00 | | | -- |
| 0013 | LAFN87617 | 00087617 | CYLINDRE EXT. P190 26MT-V.KS INX. | 1,00 | | | -- |
| 0014 | GUVR25775 | 00025775 | JOINT D. 105/88 X 3 | 1,00 | | | -- |
| 0015 | LAFN20055 | 00020055 | PORTE D.NETT. KSM | 1,00 | | | -- |
| 0016 | LAFN30294 | 00030294 | DEFLECTEUR KSM/AGN | 1,00 | | | -- |
| 0017 | UGBR18630 | 00018630 | GIGLEUR BRULEUR 0.75 45 A | 1,00 | 05/12/2016 | | -- |
| 0017 | UGBR18630 | 00018630 | GIGLEUR BRULEUR 0.75 45 A | 1,00 | | 31/08/2016 | -- |
| 0017 | UGBR40002 | | GIGLEUR BRULEUR 0.75 45 HFD | 1,00 | 01/09/2016 | 04/12/2016 | -- |
| 0018 | MFVR88612 | | PORTE-ELECTRODE KSM 1/8CN. | 1,00 | 27/01/2005 | | -- |
| 0019 | RCVR08954 | 00008954 | COUDE 1/8"-4 B5 | 1,00 | | 30/06/2013 | -- |
| 0019 | RCVR14014 | 00014014 | RACCORD BI-CONE DTT 1/8"M B1 D. 2/ 4 NIK | 1,00 | 01/07/2013 | 31/10/2013 | -- |
| 0019 | RCVR72867 | | RACCORD A "T" 1/8" FFM | 1,00 | 01/07/2013 | 31/10/2013 | -- |
| 0019 | RCVR08954 | 00008954 | COUDE 1/8"-4 B5 | 1,00 | 01/03/2015 | | -- |
| 0019 | RCVR40126 | | RACCORD BI-CONE T 1/8"M/F D. 4/ 6C NK. | 1,00 | 01/11/2013 | 28/02/2015 | -- |
| 0019 | RCVR89230 | | BOUCHON G 1/8 M C/O-RING. | 1,00 | 01/07/2013 | 28/02/2015 | -- |
| 0020 | MECA18232 | 00018232 | ELECTRODE L=101.5 KSM | 2,00 | | | -- |
| 0021 | LAFN20123 | 00020123 | PLAQUETTE KSM INX | 1,00 | | | -- |
| 0022 | TBCO48642 | 00048642 | TUYAU GASOIL P190 26MT D. 4 | 1,00 | | 31/10/2013 | -- |
| 0022 | TBCO40015 | | TUYAU GASOIL P190 26MT D. 4 2V. | 1,00 | 01/11/2013 | 06/03/2014 | -- |
| 0022 | TBCO40045 | | TUYAU GASOIL P190 26MT D. 4 IX | 1,00 | 05/09/2014 | | -- |
| 0022 | TBCO48642 | 00048642 | TUYAU GASOIL P190 26MT D. 4 | 1,00 | 07/03/2014 | 04/09/2014 | -- |
| 0023 | MECB34463 | 00034463 | CABLE BT L=800 SP. FD | 1,00 | 19/07/2012 | | -- |
| 0024 | MECV35334 | 00035334 | CABLE A.T. 9,8-23KOHM/M L= 400P | 2,00 | 19/07/2012 | | -- |
| 0025 | LAFN36603 | 00036603 | RALLONGE CHEM. KSM H.45 INX | 1,00 | | | -- |



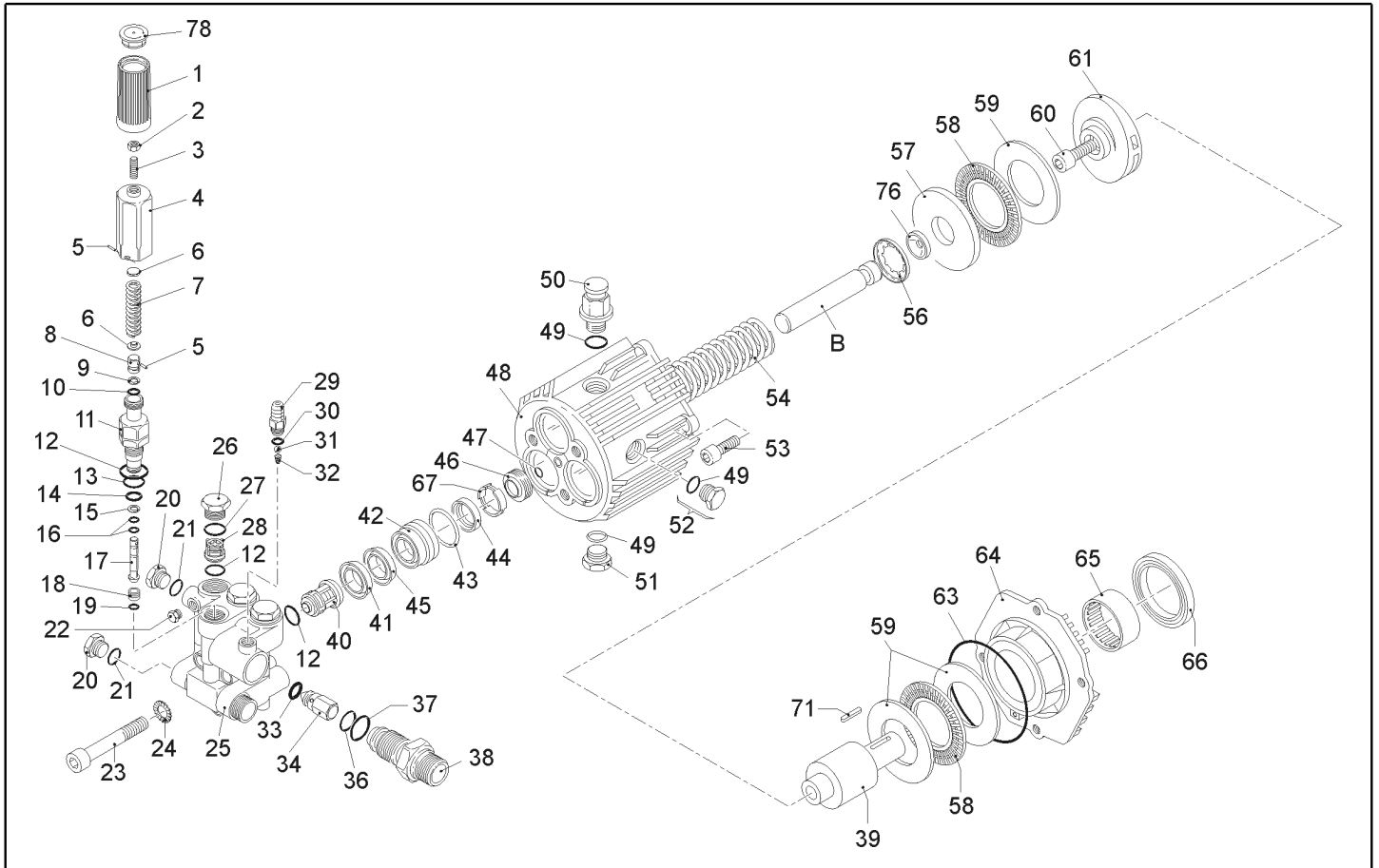
| Ref. K | Part N. | Part N. 2 | Description | Quantity | Validity | | Price |
|--------|-----------|-----------|--|----------|------------|----|-------|
| | | | | | From | To | |
| 0001 | MPVR20125 | 00020125 | CORPS COQUILLE KSM PP | 1,00 | | | -- |
| 0002 | VEVR20128 | 00020128 | HELICE KSM D.140 29P. PA66 | 1,00 | | | -- |
| 0003 | LAFN21890 | 00021890 | DOUILLE D. 25 | 1,00 | | | -- |
| 0004 | MPVR20126 | 00020126 | COUV. VENTILAT. KSM PP | 1,00 | | | -- |
| 0005 | MPVR20129 | 00020129 | CONVOYEUR KSM PP | 1,00 | | | -- |
| 0006 | VTVR20127 | 00020127 | AGRAFE KSM | 5,00 | | | -- |
| 0007 | GUGO20124 | 00020124 | GARNITURE KSM | 1,00 | | | -- |
| 0008 | MPVR48497 | 00048497 | TAPIS DE TRANS. P190 PA6 BK. | 1,00 | | | -- |
| 0009 | MPVR21415 | 00021415 | AGRAFE KSM | 2,00 | | | -- |
| 0010 | FGGT49223 | 00049223 | JOINT KSM/P190 2V. PP | 1,00 | | | -- |
| 0011 | PPGS40002 | | POMPE FUEL DNF BFA 01R3R1 | 1,00 | | | -- |
| 0012 | VTRS04931 | 00004931 | RONDELLE COPPER D.13X19X1.5 | 1,00 | | | -- |
| 0013 | RCDS00626 | 00000626 | RACC. P. TUYAU 1/4 M D. 5- 7 | 1,00 | | | -- |
| 0015 | TBCO06945 | 00006945 | TUYAU B.P. D. 6-12 10BAR C.PRESS | 0,70 | 11/12/2003 | | -- |
| 0015 | TBCO06945 | 00006945 | TUYAU B.P. D. 6-12 10BAR C.PRESS | 0,65 | 11/12/2003 | | -- |
| 0016 | FSVR11197 | 00011197 | COLLIER D.12.9-13.6 | 2,00 | | | -- |
| 0017 | FTCO10912 | 00010912 | FILTRE FB 13/T NYL. | 1,00 | | | -- |
| 0018 | RCVR14014 | 00014014 | RACCORD BI-CONE DTT 1/8"M B1 D. 2/ 4 NIK | 1,00 | | | -- |
| 0020 | MECB18118 | 00018118 | CABLE DLT L=1.600 | 1,00 | 19/07/2012 | | -- |



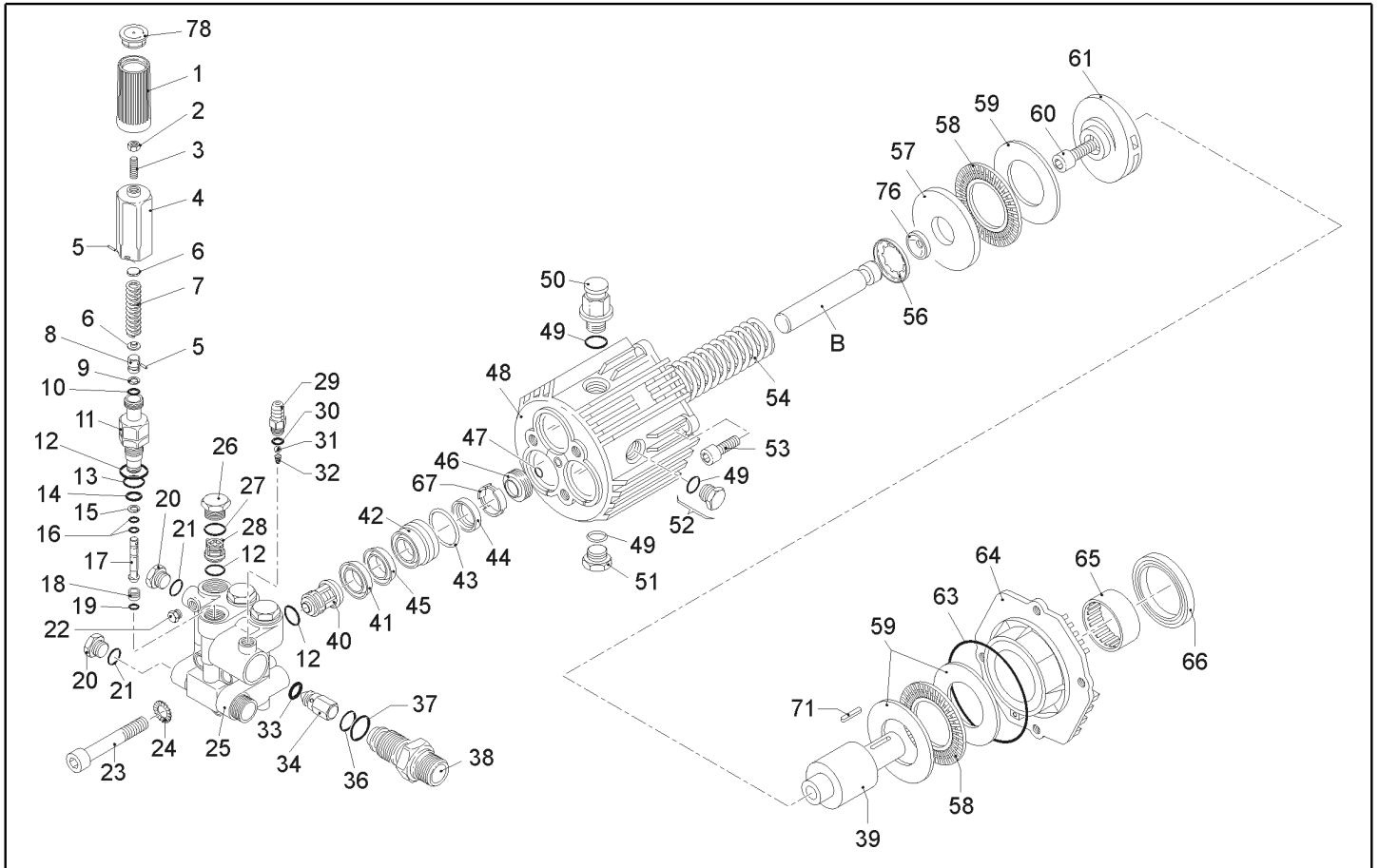
| Ref. K | Part N. | Part N. 2 | Description | Quantity | Validity | | Price |
|--------|-----------|-----------|--|----------|------------|------------|-------|
| | | | | | From | To | |
| F | MEVR02824 | 00002824 | FUSIBLE 5X20 1A | 1,00 | 19/07/2012 | | -- |
| K | METT40008 | | TELERUPTEUR SIE 3RT 2016-1AB01 24V | 1,00 | 01/10/2014 | | -- |
| K | METT43990 | 00043990 | TELERUPTEUR SIE 3RT 1017 1AB01 5/60HZ | 1,00 | 19/07/2012 | 30/09/2014 | -- |
| EC | MECE48580 | 00048580 | PLATINE P190 T-ST/MP V.PLUS | 1,00 | 19/07/2012 | | -- |
| EV | MEBE43704 | 00043704 | BOBINE DNF 24-50 | 1,00 | 21/04/2011 | | -- |
| IG | MECI40020 | | INTERRUPTEUR BRM BP. 0-1 12A | 1,00 | 19/07/2012 | | -- |
| PA | MEPD25575 | 00025575 | POMPE DOSEUSE NME-1 24V CPL. | 1,00 | 19/07/2012 | | -- |
| P1 | MEPF40009 | | PRESSOSTAT PR 5 3/8M 25BAR | 1,00 | 19/07/2012 | | -- |
| P1 | MEPF45229 | 00045229 | PRESSOSTAT MTM 3/8M NA/NC 25B. MICRO | 1,00 | | 31/05/2012 | -- |
| P2 | MEPF39902 | 00039902 | PRESSOSTAT MTM 1/4M NA/NC 25B. MICRO | 1,00 | | 31/05/2012 | -- |
| P2 | MEPF76254 | 00076254 | PRESSOSTAT PR 5 1/4M 25BAR | 1,00 | 19/07/2012 | | -- |
| TA | METR88630 | | TRANSFORMATEUR 23/240V-5/60HZ 2X26KV TR. | 1,00 | 19/07/2012 | | -- |
| TH | METK19354 | 00019354 | THERMOSTAT 0-150° L=1500 | 1,00 | | 14/12/2010 | -- |
| TH | METK40011 | | THERMOSTAT 0-150° L=1500 F&C | 1,00 | 19/07/2012 | | -- |
| TR | METR40003 | | TRANSFORMATEUR 35VA 230-400/24 5/60HZ PM | 1,00 | 19/07/2012 | | -- |
| TS | METK40007 | | THERMOSTAT 65°C NSP-040 PT RIPR. | 1,00 | 19/07/2012 | | -- |
| TS | METK49116 | 00049116 | THERMOSTAT 65°C TG400 C.1,5 RIPR. | 1,00 | | 20/04/2011 | -- |
| CV1 | MECB10518 | 00010518 | CABLE H07 RNF 4X1.5 L=6.500 | 1,00 | 19/07/2012 | | -- |



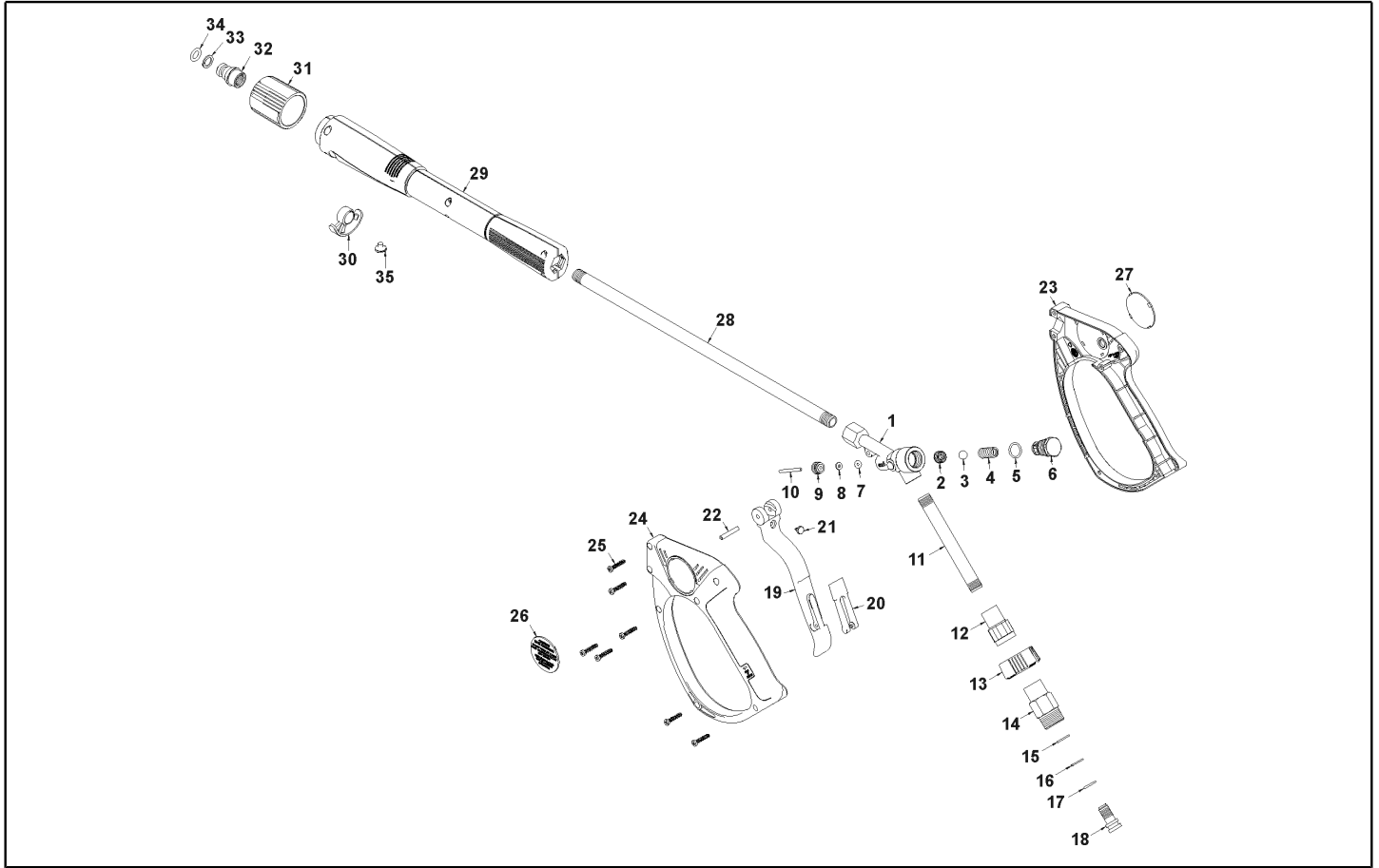
| Ref. K | Part N. | Part N. 2 | Description | Quantity | Validity | | Price |
|--------|-------------|-----------|---------------------------------|----------|----------|----|-------|
| | | | | | From | To | |
| 0001 | MPVR40162 | | POIGNEE AR XJS | 1,00 | | | -- |
| 0002 | VTDD00482 | 00000482 | ECROU M 6 ZIN UNI 5588 | 1,00 | | | -- |
| 0003 | VTVT20261 | 00020261 | VIS EI-ST 6X20 UNI5923 | 1,00 | | | -- |
| 0004 | PVVR40066 | | REGLEUR AR XJS | 1,00 | | | -- |
| 0005 | VTVR19193 | 00019193 | GOUPILLE D. 2.5X10 | 2,00 | | | -- |
| 0006 | PVVR40067 | | COUPELLE RESS. AR XJS | 2,00 | | | -- |
| 0007 | MLML40007 | | RESSORT D. 10.8X48.9 D.2.8 XJS | 1,00 | | | -- |
| 0008 | PVVR40068 | | PETIT PISTON AR XJS SP. | 1,00 | | | -- |
| 0009 | GUVR40026 | | BAGUE ANTIEXTR. D. 8 | 1,00 | | | -- |
| 0010 | GUGO06988 | 00006988 | O-RING D. 7.66 X 1.78 NBR 70SH | 1,00 | | | -- |
| 0011 | PVVR40069 | | TIGE DE PISTON AR XJS | 1,00 | | | -- |
| 0012 | S GUGO02259 | 00002259 | O-RING D. 15.54 X 2.62 NBR 70SH | 7,00 | | | -- |
| 0013 | GUGO09720 | 00009720 | O-RING D. 14 X 1.78 NBR 70SH | 1,00 | | | -- |
| 0014 | GUGO63403 | 00063403 | O-RING D. 8.73 X 1.78 NBR 70SH | 1,00 | | | -- |
| 0015 | GUVR40027 | | BAGUE ANTIEXTR. D. 3.7 | 1,00 | | | -- |
| 0016 | GUGO19189 | 00019189 | O-RING D. 2.90 X 1.78 NBR 70SH | 2,00 | | | -- |
| 0017 | PVVR40070 | | PISTON COMMANDE AR XJS IF. | 1,00 | | | -- |
| 0018 | PVVR40071 | | SIEGE SOUPE AR XJS | 1,00 | | | -- |
| 0019 | GUGO41692 | 00041692 | O-RING D. 9 X 1 NBR 70SH | 1,00 | | | -- |
| 0020 | RCVR01716 | 00001716 | BOUCHON 1/4X 7 M | 2,00 | | | -- |
| 0021 | GUGO01036 | 00001036 | O-RING D. 10.82 X 1.78 NBR 70SH | 2,00 | | | -- |
| 0022 | RCDS19214 | 00019214 | BOUCHON 1/8 M | 1,00 | | | -- |
| 0023 | VTVT40014 | | VIS TCEI 10X65 UNI5931 | 3,00 | | | -- |
| 0024 | VTRS00519 | 00000519 | RONDELLE D.10 DT | 3,00 | | | -- |
| 0025 | MFVR40014 | | CULASSE AR SJS OT. | 1,00 | | | -- |
| 0026 | PVVR40072 | | BOUCHON AR XJS | 3,00 | | | -- |
| 0027 | GUGO03502 | 00003502 | O-RING D. 17.86 X 2.62 NBR 70SH | 3,00 | | | -- |
| 0028 | S VVAM19220 | 00019220 | ENSEMBL. CLAPET XTS | 3,00 | | | -- |
| 0029 | PVVR40073 | | SIEGE SOUPE 1/8M +PG. D.8 AR | 1,00 | | | -- |
| 0030 | GUGO08071 | 00008071 | O-RING D. 4.48 X 1.78 NBR 70SH | 1,00 | | | -- |
| 0031 | SFVR04274 | 00004274 | BILLE D. 7/32 | 1,00 | | | -- |
| 0032 | MLML40008 | | RESSORT D. 4 | 1,00 | | | -- |
| 0033 | GUGO12494 | 00012494 | O-RING D. 4 X 2.5 -NBR 70SH | 1,00 | | | -- |
| 0034 | PVVR40074 | | OBTURATEUR N.RIT. XJS | 1,00 | | | -- |
| 0036 | GUGO11652 | 00011652 | O-RING D. 12.42 X 1.78 NBR 70SH | 1,00 | | | -- |
| 0037 | GUGO03505 | 00003505 | O-RING D. 15.6 X 1.78 NBR 70SH | 1,00 | | | -- |
| 0038 | RCDS40063 | | RACCORD 3/8NPT-M18X1 D.4.0 OT. | 1,00 | | | -- |
| 0039 | ALMO40004 | | ARBRE AR XJS 10 VR5. N | 1,00 | | | -- |
| 0040 | S VVAM40000 | | ENSEMBL. CLAPET XJS BP | 3,00 | | | -- |
| 0041 | S GUVR40028 | | BAGUE D'ETANCH. D. 15 XJS | 3,00 | | | -- |
| 0042 | PVVR40083 | | BAGUE P.GARNIT. D. 15 SJS | 3,00 | | | -- |
| 0043 | S GUGO19290 | 00019290 | O-RING D. 23.52 X 1.78 NBR 70SH | 3,00 | | | -- |
| 0044 | S PVVR40076 | | BAGUE INTERMED. D. 15 XJS | 3,00 | | | -- |
| 0045 | S GUVR40029 | | BAGUE D'ETANCH. D. 15 SJS | 3,00 | | | -- |



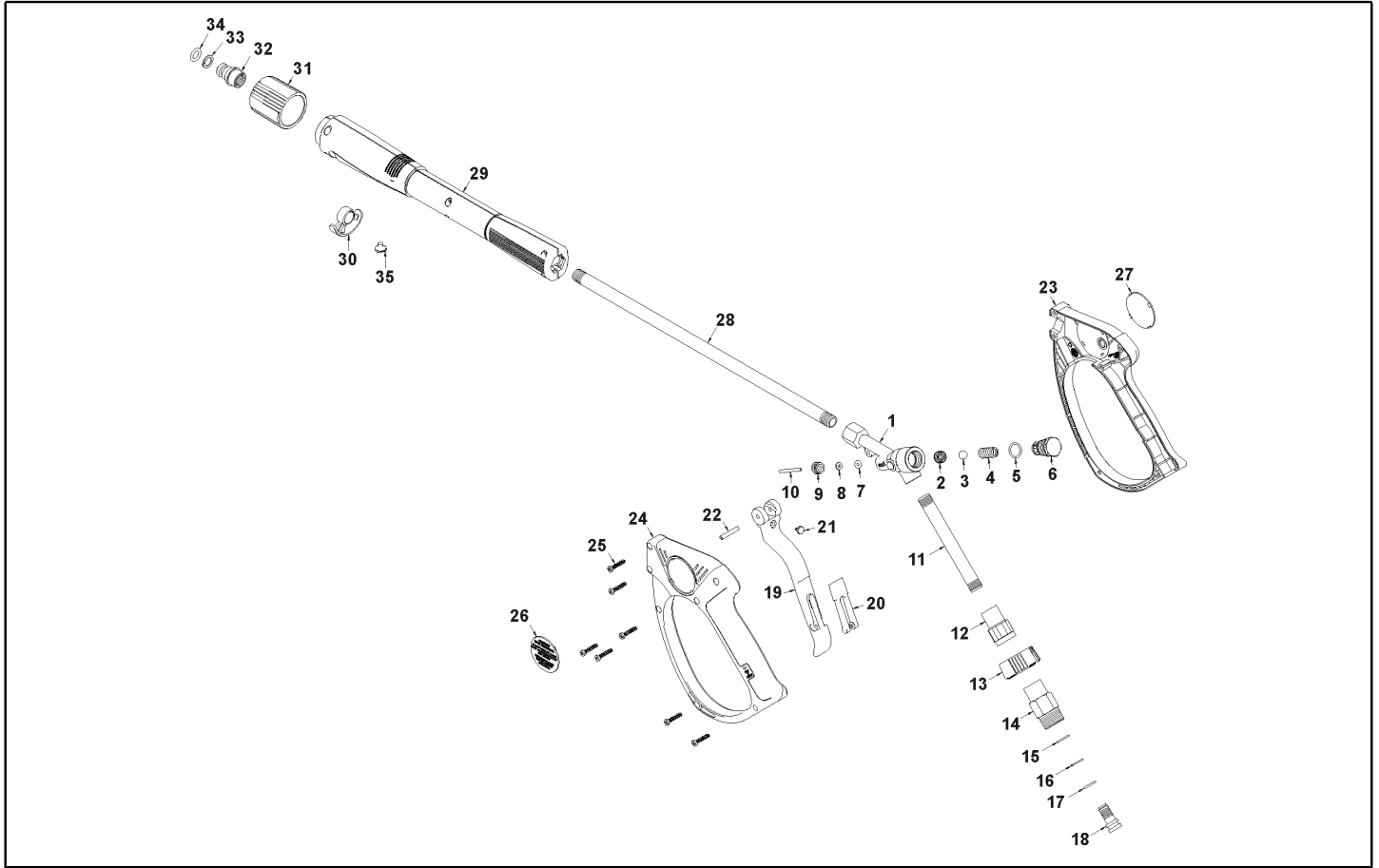
| Ref. K | Part N. | Part N. 2 | Description | Quantity | Validity | | Price |
|--------|---------|-----------|---------------------|---------------------------------|----------|----|-------|
| | | | | | From | To | |
| 0046 | S | GUGO40009 | JOINT SPI D. 15 XJS | 3,00 | | | -- |
| 0047 | S | GUGO10464 | 00010464 | O-RING D. 5.28 X 1.78 NBR 70SH | 1,00 | | -- |
| 0048 | | MFVR40012 | CARTER POMPE AR XJS | 1,00 | | | -- |
| 0049 | | GUGO09720 | 00009720 | O-RING D. 14 X 1.78 NBR 70SH | 3,00 | | -- |
| 0050 | | PVVR40078 | | BOUCHON HUILE AR XJS | 1,00 | | -- |
| 0051 | | RCVR12243 | 00012243 | BOUCHON 3/8M L=10 | 1,00 | | -- |
| 0052 | | PVVR40079 | | BOUCHON G 3/8 C/OR XJS | 1,00 | | -- |
| 0053 | | VTVT00801 | | VIS TCEI M 8X20 UNI 5931 ZC. | 4,00 | | -- |
| 0054 | | MLML40009 | | RESSORT AR XJS | 3,00 | | -- |
| 0055 | S | PIVR40003 | | PISTON D.15 SJS | 3,00 | | -- |
| 0056 | | PVVR40080 | | BAGUE D.15 XJS | 3,00 | | -- |
| 0057 | | CUVR40005 | | BUTEE D. X60H6 | 1,00 | | -- |
| 0058 | | CUVR92973 | | ROULEM.A ROUL. AXK 4060 | 2,00 | | -- |
| 0059 | | CUVR92974 | | BRIDE D. 40X60-1 AS4060 | 3,00 | | -- |
| 0060 | | VTVT01118 | 00001118 | VIS TCEI M 8X16 ZC. UNI 5931 | 1,00 | | -- |
| 0061 | | PVVR40084 | | PLAT SJS 12.17 | 1,00 | | -- |
| 0063 | | GUGO28317 | 00028317 | O-RING D. 82.22 X 2.62 NBR 70SH | 1,00 | | -- |
| 0064 | | MFVR40013 | | BRIDE AR XJS | 1,00 | | -- |
| 0065 | | CUVR40004 | | ROULEM.A ROUL. HK 4020 | 1,00 | | -- |
| 0066 | S | GUGO23638 | 00023638 | JOINT SPI 40X 52X 7 NBR70 | 1,00 | | -- |
| 0067 | | PVVR40082 | | ENTRETOISE D. 15 XJS | 1,00 | | -- |
| 0071 | | VTVR10885 | 00010885 | CLE 8X7X25 | 1,00 | | -- |
| 0076 | | PVVR40085 | | COUPELLE RESS. AR SJS | 3,00 | | -- |
| 0078 | | MPVR40163 | | BOUCHON AR XJS | 1,00 | | -- |



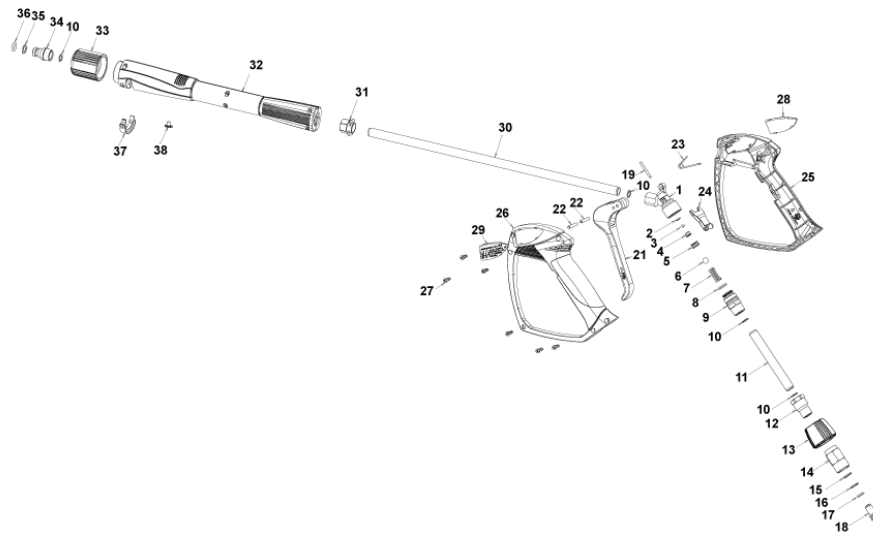
| Ref. Part N. | Cust. Part N. | Description | Reference | Price |
|--------------|---------------|------------------------|---------------------|-------|
| KTRI40072 | | KIT P 15-42910 XJS | 0012 0028 0040 | -- |
| KTRI40074 | | KIT P 15-42907 XJS | 0046 0047 0066 | -- |
| KTRI40076 | | KIT P 15-2513 SJS | 0055 | -- |
| KTRI40077 | | KIT P 15-2167 SJS D.15 | 0041 0043 0044 0045 | -- |



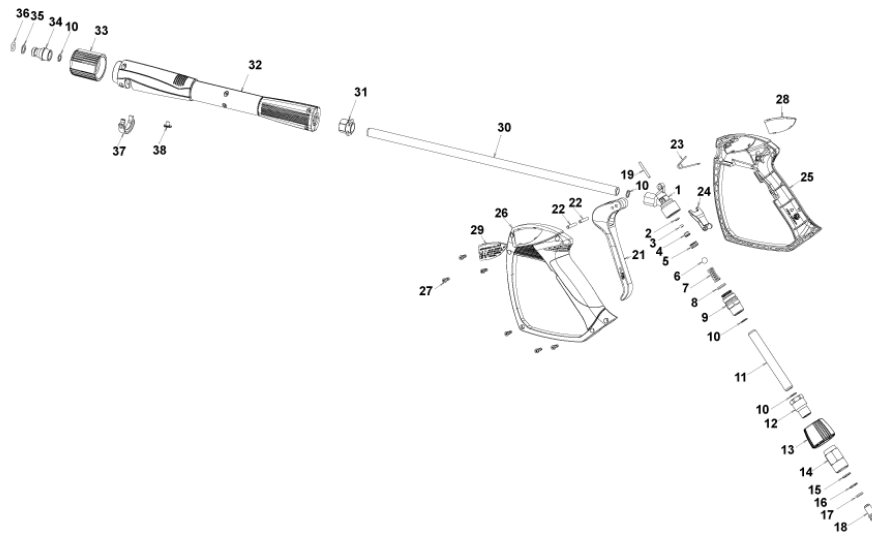
| Ref. K | Part N. | Part N. 2 | Description | Quantity | Validity | | Price |
|--------|-------------|-----------|-----------------------------------|----------|----------|----|-------|
| | | | | | From | To | |
| 0001 | PVVR40111 | | CORPS PISTOLET G 5000 G1/4F | 1,00 | | | -- |
| 0002 | S PVVR40112 | | SIEGE BILLE G 5000 | 1,00 | | | -- |
| 0003 | S SFVR06779 | 00006779 | BILLE INOX 11/32 | 1,00 | | | -- |
| 0004 | S MLML40016 | | RESSORT D. 9.4 x21.5x1.6 G5000 | 1,00 | | | -- |
| 0005 | S GUGO21841 | 00021841 | O-RING D. 12.42 X 1.78 NBR 90SH | 1,00 | | | -- |
| 0006 | PVVR40113 | | BOUCHON G 5000 | 1,00 | | | -- |
| 0007 | S GUGO17952 | 00017952 | O-RING D. 2.84 X 2.62 NBR 70SH | 1,00 | | | -- |
| 0008 | S GUVR40032 | | BAGUE ANTIEXTR. D. 3 | 1,00 | | | -- |
| 0009 | S PVVR40114 | | TIGE DE PISTON G 5000 | 1,00 | | | -- |
| 0010 | S PVVR40115 | | PETIT PISTON G 5000 | 1,00 | | | -- |
| 0011 | PVVR40116 | | TUYAU G 1/4" L.110 | 1,00 | | | -- |
| 0012 | RCIN40007 | | RACCORD SWIV G5000 1/4F | 1,00 | | | -- |
| 0013 | MPVR40190 | | FRETTE G 5000 SW. | 1,00 | | | -- |
| 0014 | RCIN40008 | | BRANCHEMENT SWIV 5000 M22 | 1,00 | | | -- |
| 0015 | S PVVR40117 | | BAGUE SW. G 5000 | 1,00 | | | -- |
| 0016 | S GUVR40033 | | BAGUE ANTIEXTR. D. 11 | 1,00 | | | -- |
| 0017 | S GUGO01036 | 00001036 | O-RING D. 10.82 X 1.78 NBR 70SH | 1,00 | | | -- |
| 0018 | PVVR40118 | | VIS SW. G 5000 | 1,00 | | | -- |
| 0019 | MPVR40191 | | GACHETTE G 5000-SW | 1,00 | | | -- |
| 0020 | MPVR40192 | | DISP.D.SECURITE G 5000-SW | 1,00 | | | -- |
| 0021 | PVVR45053 | 00045053 | CLIQUET G 2100 INX | 1,00 | | | -- |
| 0022 | VTVR40008 | | GOUPILLE D. 3 G5000 | 1,00 | | | -- |
| 0023 | MPVR40193 | | COQUILLE G 5000-SW 2PZ. | 1,00 | | | -- |
| 0024 | MPVR40193 | | COQUILLE G 5000-SW 2PZ. | 1,00 | | | -- |
| 0025 | VTVT62984 | 00062984 | VIS TC-CR M 4.2 X19 ZN | 7,00 | | | -- |
| 0026 | MPVR40194 | | PLAQUE G 5000 GR. | 1,00 | | | -- |
| 0027 | MPVR40194 | | PLAQUE G 5000 GR. | 1,00 | | | -- |
| 0028 | LCPR40015 | | TUYAU 1/4 L-370 ZC. 0° | 1,00 | | | -- |
| 0029 | MPVR40195 | | PROTECTION P 370 MV | 1,00 | | | -- |
| 0030 | MPVR40197 | | BOUCHON G 5000 FIX. | 1,00 | | | -- |
| 0031 | PVVR40119 | | RONDELLE M22X1,5 IRV G5000 | 1,00 | | | -- |
| 0032 | RCIN40009 | | CHEVILLE-GOUJON G 1/4 F IRV G5000 | 1,00 | | | -- |
| 0033 | S GUVR40034 | | BAGUE ANTIEXTR. D. 10 X14 | 1,00 | | | -- |
| 0034 | S GUGO28927 | 00028927 | O-RING D. 9.13 X 2.62 NBR 70SH | 1,00 | | | -- |
| 0035 | MPVR40198 | | BOUCHON G 5000 | 1,00 | | | -- |



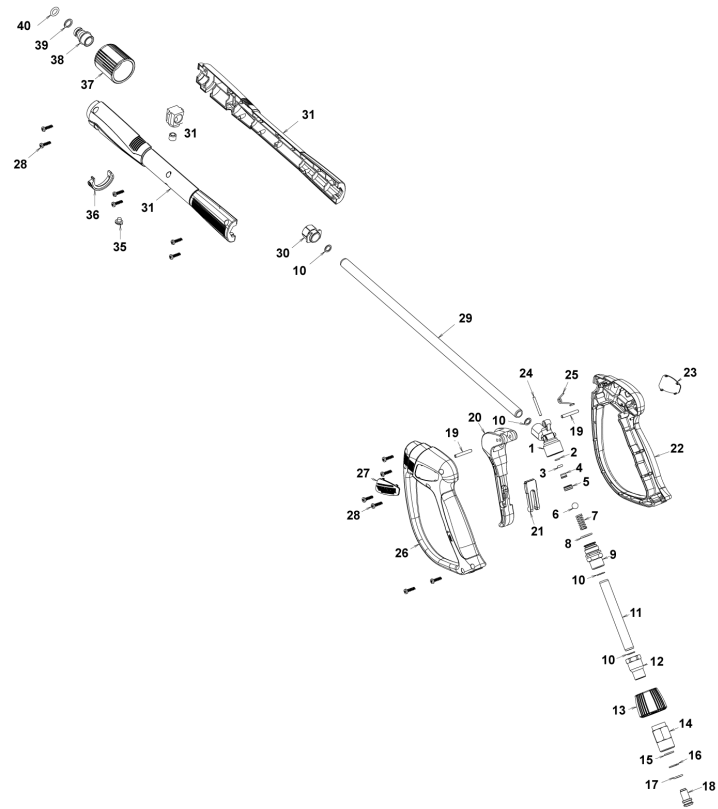
| Ref. Part N. | Cust. Part N. | Description | Reference | Price |
|--------------|---------------|--------------------------|---|-------|
| KTRI40090 | | KIT P 26- 23 G 5000-SW | 0002 0003 0004 0005 0008 0009 0010 0015 0016 0017 0033 0034 0007 | -- |
| KTRI40091 | | KIT P 33- 13 OR G5000-SW | 0033 0034 | -- |



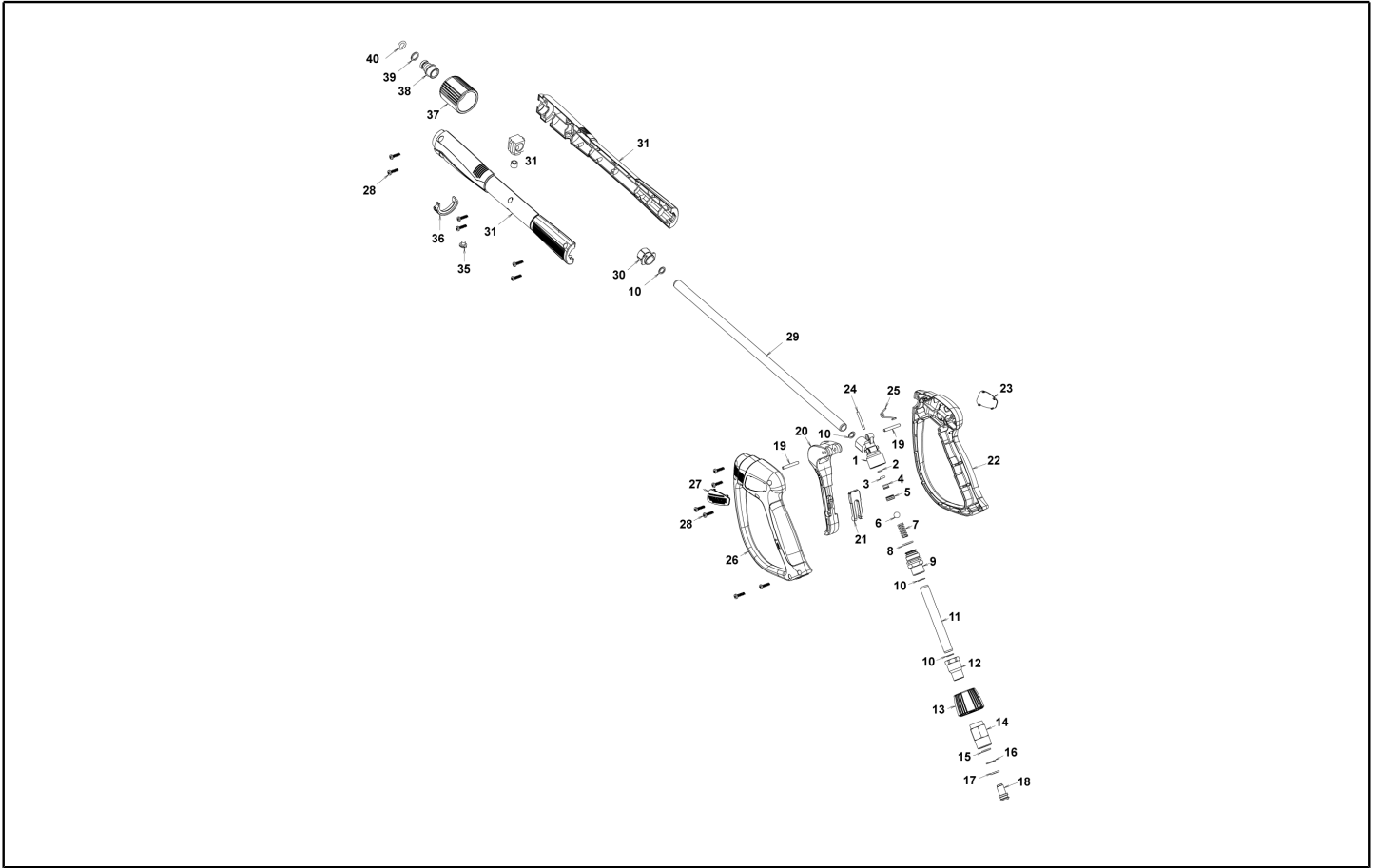
| Ref. K | Part N. | Part N. 2 | Description | Quantity | Validity | | Price |
|--------|-------------|-----------|-----------------------------------|----------|----------|----|-------|
| | | | | | From | To | |
| 0001 | PVVR40381 | | CORPS PISTOLET G 5100 G1/4F | 1,00 | | | -- |
| 0002 | S GUVR40074 | | BAGUE ANTIEXTR. D. 3 X 7.4X1.3 | 1,00 | | | -- |
| 0003 | S GUGO21835 | 00021835 | O-RING D. 2.84 X 2.62 VIT. 80SH | 1,00 | | | -- |
| 0004 | PVVR40382 | | TIGE DE PISTON G 5100 | 1,00 | | | -- |
| 0005 | S PVVR40112 | | SIEGE BILLE G 5000 | 1,00 | | | -- |
| 0006 | S SFVR27026 | 00027026 | BILLE D. 11/32" INX | 1,00 | | | -- |
| 0007 | MLML40016 | | RESSORT D. 9.4 x21.5x1.6 G5000 | 1,00 | | | -- |
| 0008 | GUGO12322 | 00012322 | O-RING D. 14 X 1.78 NBR 90SH | 1,00 | | | -- |
| 0009 | PVVR40383 | | RACCORD COLL. G5100 1/4F | 1,00 | | | -- |
| 0010 | VTRS40017 | | RONDELLE D. 8.2X11,4X1,00 | 4,00 | | | -- |
| 0011 | PVVR40384 | | TUYAU G 1/4" L.105 | 1,00 | | | -- |
| 0012 | RCIN40022 | | RACCORD SWIV G5100 1/4F | 1,00 | | | -- |
| 0013 | MPVR40486 | | FRETTE G 5100 SW. GR. | 1,00 | | | -- |
| 0014 | RCIN40021 | | BRANCHEMENT SWIV 5100 M22 | 1,00 | | | -- |
| 0015 | S GUVR40075 | | BAGUE ANTIEXTR. D. 10 X14X1.5 | 1,00 | | | -- |
| 0016 | S GUVR40076 | | BAGUE ANTIEXTR. D. 11.2X14X1.2 | 1,00 | | | -- |
| 0017 | S GUGO15295 | 00015295 | O-RING D. 10.82 X 1.78 VIT 75SH | 1,00 | | | -- |
| 0018 | PVVR40386 | | VIS SW. G 5100 | 1,00 | | | -- |
| 0019 | PVVR40387 | | PETIT PISTON G 5100 | 1,00 | | | -- |
| 0021 | MPVR40487 | | GACHETTE G 5100-SW | 1,00 | | | -- |
| 0022 | VTVR40047 | | GOUPILLE D. 4X29 | 2,00 | | | -- |
| 0023 | MLML40029 | | RESSORT G 5100 | 1,00 | | | -- |
| 0024 | MPVR40488 | | DISP.D.SECURITE G 5100-SW | 1,00 | | | -- |
| 0025 | MPVR40489 | | COQUILLE G 5100-SW DX | 1,00 | | | -- |
| 0026 | MPVR40490 | | COQUILLE G 5100-SW SX | 1,00 | | | -- |
| 0027 | VTVT40043 | | VIS AF 4X 14 HILO ZN.N | 6,00 | | | -- |
| 0028 | MPVR40491 | | PLAQUE G 5100 GR.DX | 1,00 | | | -- |
| 0029 | MPVR40492 | | PLAQUE G 5100 GR.SX | 1,00 | | | -- |
| 0030 | LCPR40086 | | TUYAU 1/4 L=420 ZC. 0° | 1,00 | | | -- |
| 0031 | MPVR40493 | | RACCORD G 5100-SW | 1,00 | | | -- |
| 0032 | MPVR40494 | | PROTECTION P 420 C/AN. | 1,00 | | | -- |
| 0033 | PVVR40119 | | RONDELLE M22X1,5 IRV G5000 | 1,00 | | | -- |
| 0034 | RCIN40009 | | CHEVILLE-GOUJON G 1/4 F IRV G5000 | 1,00 | | | -- |
| 0035 | GUVR40034 | | BAGUE ANTIEXTR. D. 10 X14 | 1,00 | | | -- |
| 0036 | GUGO01946 | 00001946 | O-RING D. 9.13 X 2.62 VIT 70SH | 1,00 | | | -- |
| 0037 | MPVR40495 | | BOUCHON G 5100 REM. | 1,00 | | | -- |
| 0038 | MPVR40198 | | BOUCHON G 5000 | 1,00 | | | -- |



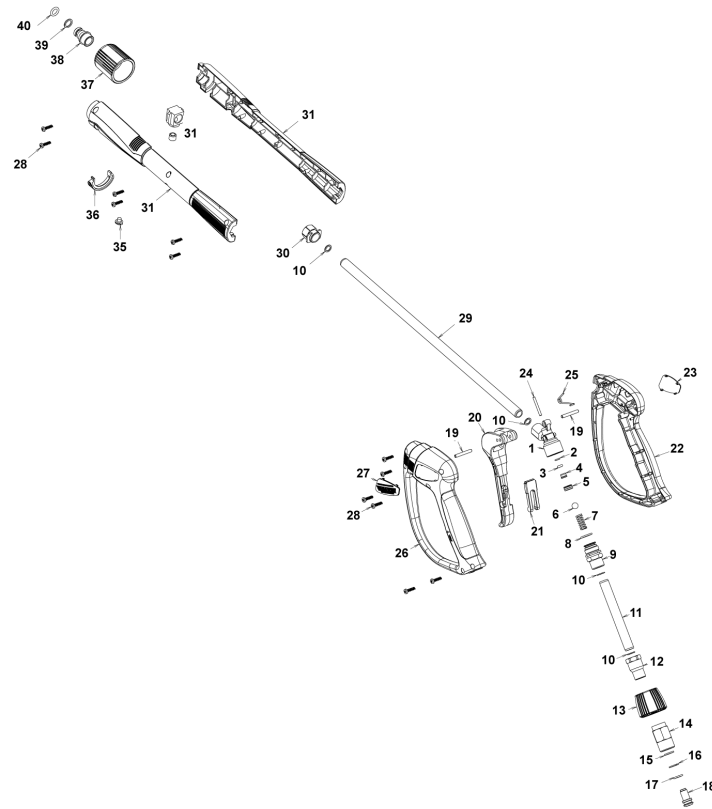
| Ref. Part N. | Cust. Part N. | Description | Reference | Price |
|--------------|---------------|----------------------------|---------------------|-------|
| KTRI40242 | | KIT P 26- 25 G 5100 | 0002 0003 0005 0006 | -- |
| KTRI40243 | | KIT P 26- 26 SWIVEL G 5100 | 0015 0016 0017 | -- |



| Ref. K | Part N. | Part N. 2 | Description | Quantity | Validity | | Price |
|--------|-----------|-----------|-----------------------------------|---------------------------------|----------|----|-------|
| | | | | | From | To | |
| 0001 | PVVR40381 | | CORPS PISTOLET G 5100 G1/4F | 1,00 | | | -- |
| 0002 | S | GUVR40074 | BAGUE ANTIEXTR. D. 3 X 7.4X1.3 | 1,00 | | | -- |
| 0003 | S | GUGO21835 | 00021835 | O-RING D. 2.84 X 2.62 VIT. 80SH | 1,00 | | -- |
| 0004 | PVVR40382 | | TIGE DE PISTON G 5100 | 1,00 | | | -- |
| 0005 | S | PVVR40112 | SIEGE BILLE G 5000 | 1,00 | | | -- |
| 0006 | S | SFVR40002 | BILLE D.11/32" ALL.GR16 | 1,00 | | | -- |
| 0007 | MLML40016 | | RESSORT D. 9.4 x21.5x1.6 G5000 | 1,00 | | | -- |
| 0008 | GUGO12322 | 00012322 | O-RING D. 14 X 1.78 NBR 90SH | 1,00 | | | -- |
| 0009 | PVVR40383 | | RACCORD COLL.G5100 1/4F | 1,00 | | | -- |
| 0010 | VTRS40017 | | RONDELLE D. 8.2X11,4X1.00 | 4,00 | | | -- |
| 0011 | PVVR40384 | | TUYAU G 1/4" L.105 | 1,00 | | | -- |
| 0012 | RCIN40022 | | RACCORD SWIV G5100 1/4F | 1,00 | | | -- |
| 0013 | MPVR40819 | | FRETTE G 5100 SW. BK. | 1,00 | | | -- |
| 0014 | RCIN40021 | | BRANCHEMENT SWIV 5100 M22 | 1,00 | | | -- |
| 0015 | S | GUVR40075 | BAGUE ANTIEXTR. D. 10 X14X1.5 | 1,00 | | | -- |
| 0016 | S | GUVR40076 | BAGUE ANTIEXTR. D. 11.2X14X1.2 | 1,00 | | | -- |
| 0017 | S | GUGO15295 | 00015295 | O-RING D. 10.82 X 1.78 VIT 75SH | 1,00 | | -- |
| 0018 | PVVR40386 | | VIS SW. G 5100 | 1,00 | | | -- |
| 0019 | VTVR40047 | | GOUPILLE D. 4X29 | 2,00 | | | -- |
| 0020 | MPVR40820 | | GACHETTE G 6000-SW | 1,00 | | | -- |
| 0021 | MPVR40821 | | DISP.D.SECURITE G 6000-SW | 1,00 | | | -- |
| 0022 | MPVR40822 | | COQUILLE G 6000-SW DX | 1,00 | | | -- |
| 0023 | MPVR40823 | | PLAQUE G 6000 GR.DX | 1,00 | | | -- |
| 0024 | PVVR40387 | | PETIT PISTON G 5100 | 1,00 | | | -- |
| 0025 | MLML40029 | | RESSORT G 5100 | 1,00 | | | -- |
| 0026 | MPVR40824 | | COQUILLE G 6000-SW SX | 1,00 | | | -- |
| 0027 | MPVR40825 | | PLAQUE G 6000 GR.SX | 1,00 | | | -- |
| 0028 | VTVT40043 | | VIS AF 4X 14 HILO ZN.N | 12,00 | | | -- |
| 0029 | LCPR40086 | | TUYAU 1/4 L=420 ZC. 0° | 1,00 | | | -- |
| 0030 | MPVR40493 | | RACCORD G 5100-SW | 1,00 | | | -- |
| 0031 | MPVR40494 | | PROTECTION P 420 C/AN. | 1,00 | | | -- |
| 0035 | MPVR40198 | | BOUCHON G 5000 | 1,00 | | | -- |
| 0036 | MPVR40495 | | BOUCHON G 5100 REM. | 1,00 | | | -- |
| 0037 | PVVR40119 | | RONDELLE M22X1,5 IRV G5000 | 1,00 | | | -- |
| 0038 | RCIN40009 | | CHEVILLE-GOUJON G 1/4 F IRV G5000 | 1,00 | | | -- |
| 0039 | GUVR40034 | | BAGUE ANTIEXTR. D. 10 X14 | 1,00 | | | -- |
| 0040 | GUGO01946 | 00001946 | O-RING D. 9.13 X 2.62 VIT 70SH | 1,00 | | | -- |



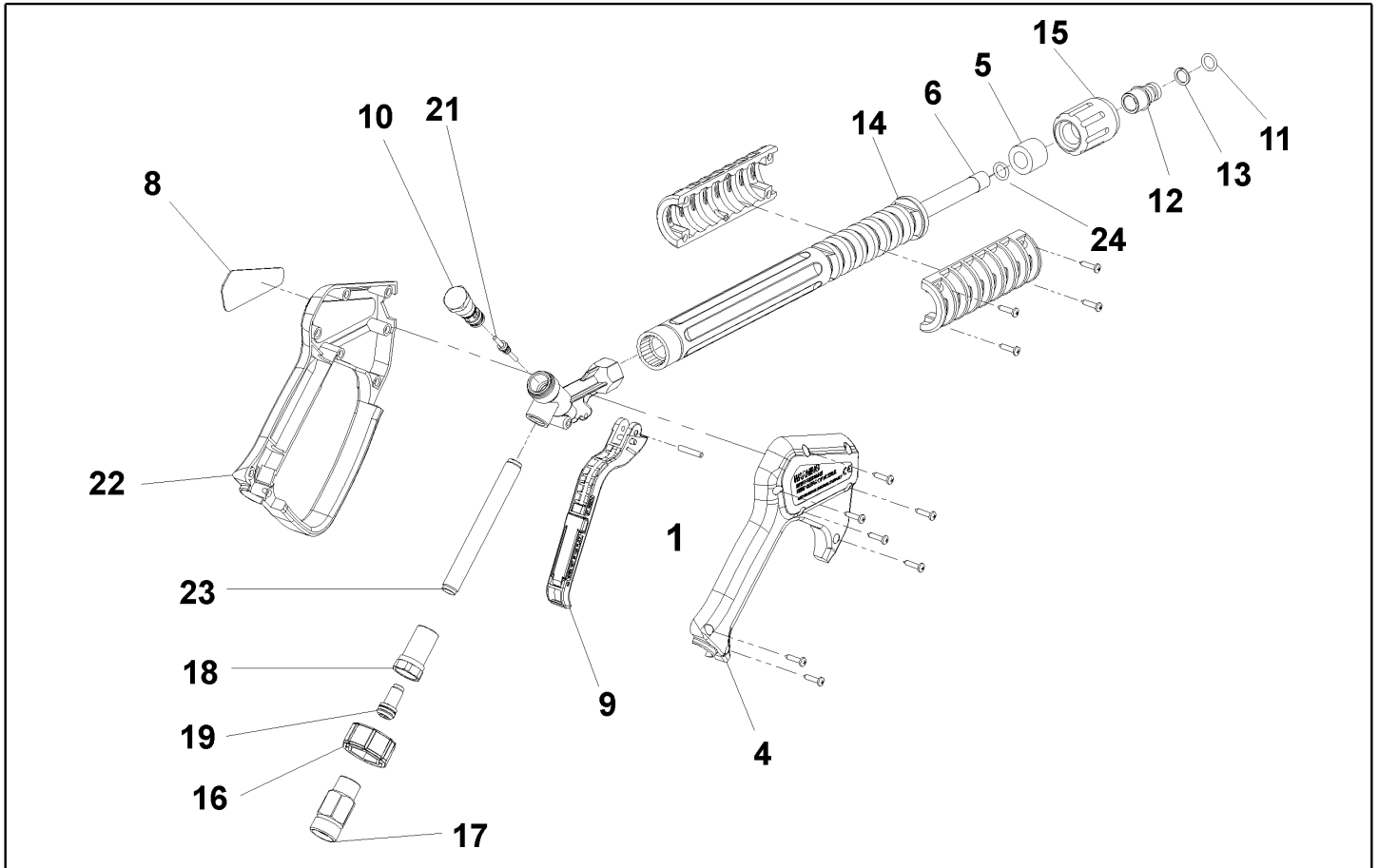
| Ref. Part N. | Cust. Part N. | Description | Reference | Price |
|--------------|---------------|----------------------------|---------------------|-------|
| KTRI40243 | | KIT P 26- 26 SWIVEL G 5100 | 0015 0016 0017 | -- |
| KTRI40414 | | KIT P 26- 34 G 6000 | 0002 0003 0005 0006 | -- |



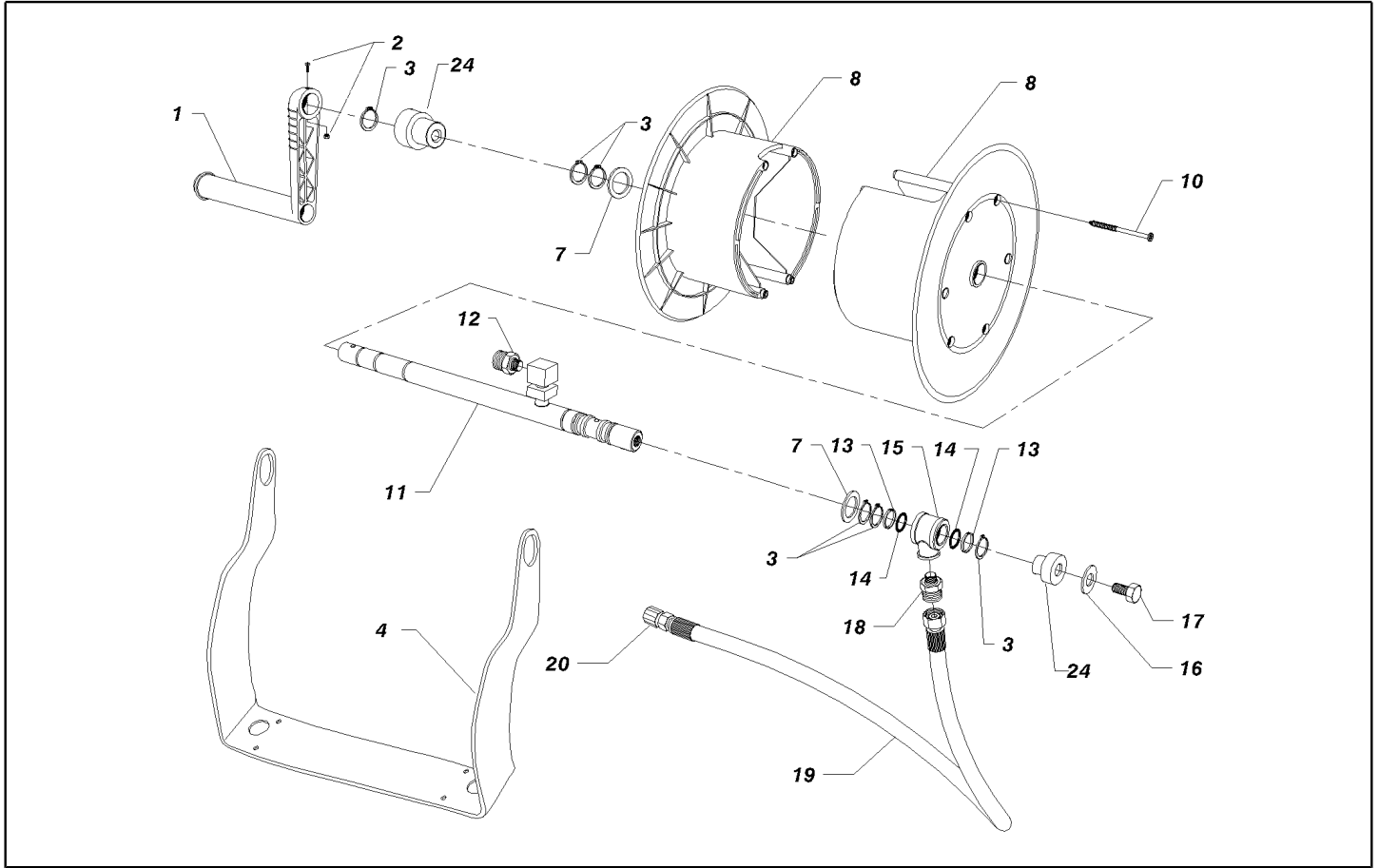
| Ref. K | Part N. | Part N. 2 | Description | Quantity | Validity | | Price |
|--------|-----------|-----------|-------------------------------------|---------------------------------|----------|----|-------|
| | | | | | From | To | |
| 0001 | PVVR40381 | | CORPS PISTOLET G 5100 G1/4F | 1,00 | | | -- |
| 0002 | S | GUVR40074 | BAGUE ANTIEXTR. D. 3 X 7.4X1.3 | 1,00 | | | -- |
| 0003 | S | GUGO21835 | 00021835 | O-RING D. 2.84 X 2.62 VIT. 80SH | 1,00 | | -- |
| 0004 | PVVR40382 | | TIGE DE PISTON G 5100 | 1,00 | | | -- |
| 0005 | S | PVVR40563 | SIEGE BILLE AL36 G6000 + OR | 1,00 | | | -- |
| 0006 | S | SFVR40004 | BILLE D. 5/16" ALL GR16 | 1,00 | | | -- |
| 0007 | MLML40047 | | RESSORT D. 9.4 x23.5x1.6 G6000 | 1,00 | | | -- |
| 0008 | GUGO12322 | 00012322 | O-RING D. 14 X 1.78 NBR 90SH | 1,00 | | | -- |
| 0009 | PVVR40383 | | RACCORD COLL. G5100 1/4F | 1,00 | | | -- |
| 0010 | VTRS40017 | | RONDELLE D. 8.2X11,4X1.00 | 4,00 | | | -- |
| 0011 | PVVR40384 | | TUYAU G 1/4" L.105 | 1,00 | | | -- |
| 0012 | RCIN40022 | | RACCORD SWIV G5100 1/4F | 1,00 | | | -- |
| 0013 | MPVR40967 | | FRETTE G 6000 SW. GR. | 1,00 | | | -- |
| 0014 | RCIN40021 | | BRANCHEMENT SWIV 5100 M22 | 1,00 | | | -- |
| 0015 | S | GUVR40075 | BAGUE ANTIEXTR. D. 10 X14X1.5 | 1,00 | | | -- |
| 0016 | S | GUVR40076 | BAGUE ANTIEXTR. D. 11.2X14X1.2 | 1,00 | | | -- |
| 0017 | S | GUGO15295 | 00015295 | O-RING D. 10.82 X 1.78 VIT 75SH | 1,00 | | -- |
| 0018 | PVVR40386 | | VIS SW. G 5100 | 1,00 | | | -- |
| 0019 | VTVR40047 | | GOUPILLE D. 4X29 | 2,00 | | | -- |
| 0020 | MPVR40820 | | GACHETTE G 6000-SW | 1,00 | | | -- |
| 0021 | MPVR40821 | | DISP.D.SECURITE G 6000-SW | 1,00 | | | -- |
| 0022 | MPVR40822 | | COQUILLE G 6000-SW DX | 1,00 | | | -- |
| 0023 | MPVR40968 | | PLAQUE G 6000/2 GR.DX | 1,00 | | | -- |
| 0024 | PVVR40564 | | PETIT PISTON G 6000 AL36 SP. | 1,00 | | | -- |
| 0025 | MLML40029 | | RESSORT G 5100 | 1,00 | | | -- |
| 0026 | MPVR40824 | | COQUILLE G 6000-SW SX | 1,00 | | | -- |
| 0027 | MPVR40825 | | PLAQUE G 6000 GR.SX | 1,00 | | | -- |
| 0028 | VTVT40043 | | VIS AF 4X 14 HILO ZN.N | 12,00 | | | -- |
| 0029 | LCPR40181 | | TUYAU 1/4 L=416 ZC. 0° | 1,00 | | | -- |
| 0030 | MPVR40493 | | RACCORD G 5100-SW | 1,00 | | | -- |
| 0031 | MPVR40494 | | PROTECTION P 420 C/AN. | 1,00 | | | -- |
| 0035 | MPVR40198 | | BOUCHON G 5000 | 1,00 | | | -- |
| 0036 | MPVR40495 | | BOUCHON G 5100 REM. | 1,00 | | | -- |
| 0037 | PVVR40119 | | RONDELLE M22X1,5 IRV G5000 | 1,00 | | | -- |
| 0038 | RCIN40048 | | CHEVILLE-GOUJON G 1/4 F IRV G6000/2 | 1,00 | | | -- |
| 0039 | GUVR40034 | | BAGUE ANTIEXTR. D. 10 X14 | 1,00 | | | -- |
| 0040 | GUGO63555 | 00063555 | O-RING D. 9.3 X 2.4 VIT 75SH | 1,00 | | | -- |



| Ref. Part N. | Cust. Part N. | Description | Reference | Price |
|--------------|---------------|----------------------------|---------------------|-------|
| KTRI40243 | | KIT P 26- 26 SWIVEL G 5100 | 0015 0016 0017 | -- |
| KTRI40513 | | KIT P 26- 36 G 6000/II | 0002 0003 0005 0006 | -- |



| Ref. K | Part N. | Part N. 2 | Description | Quantity | Validity | | Price |
|--------|-----------|-----------|----------------------------------|----------|------------|------------|-------|
| | | | | | From | To | |
| 0001 | VTVR46568 | 00046568 | GOUILLE G 4500 | 1,00 | | | -- |
| 0004 | MPVR46563 | 00046563 | COUVERCLE G 4500 | 1,00 | | 30/04/2008 | -- |
| 0004 | MPVR40157 | | COUVERCLE G 4500 2V. | 1,00 | 01/05/2008 | | -- |
| 0005 | MPVR46572 | 00046572 | ENTRETOISE P 330 ST | 1,00 | | | -- |
| 0006 | LCPR46571 | 00046571 | TUYAU 1/4 L=352 ZC. | 1,00 | | 30/04/2008 | -- |
| 0006 | LCPR40007 | | TUYAU 1/4 L=352 ZC. 2V. | 1,00 | 01/05/2008 | | -- |
| 0008 | MPVR46569 | 00046569 | PLAQUE G 4500 RD. | 1,00 | | | -- |
| 0009 | MPVR40057 | | GACHETTE G 4500 -SW | 1,00 | | | -- |
| 0010 | PVVR40030 | | PETIT PISTON TM ST-2300 | 1,00 | | | -- |
| 0011 | GUGO10384 | 00010384 | O-RING D. 10 X 2.2 VIT 80SH | 1,00 | | | -- |
| 0012 | RCVR13030 | 00013030 | CHEVILLE-GOUJON G 1/4 F L=31.5 | 1,00 | | | -- |
| 0013 | GUVR10526 | 00010526 | BAGUE ANTIEXTR. D.13.9X10.2 C.BZ | 1,00 | | | -- |
| 0014 | MPVR46570 | 00046570 | PROTECTION P 330 ST | 1,00 | | | -- |
| 0015 | PVVR13445 | 00013445 | RONDELLE M 22X1,5 L=45 | 1,00 | | | -- |
| 0016 | MPVR40058 | | FRETTE G4500 SW. | 1,00 | | | -- |
| 0017 | RCIN40001 | | BRANCHEMENT SWIV 4500 3/8"F | 1,00 | | 30/04/2008 | -- |
| 0017 | RCIN40005 | | BRANCHEMENT SWIV 4500 3/8"F 2V. | 1,00 | 01/05/2008 | | -- |
| 0018 | RCIN31641 | 00031641 | RACCORD SWIV 1500 F | 1,00 | | | -- |
| 0019 | KTRI31645 | 00031645 | KIT P 26- 14 | 1,00 | | | -- |
| 0021 | PVVR40031 | | TIGE ST-2300 | 1,00 | | | -- |
| 0022 | MPVR46562 | 00046562 | COQUILLE G 4500 | 1,00 | | 30/04/2008 | -- |
| 0022 | MPVR40156 | | COQUILLE G 4500 2V. | 1,00 | 01/05/2008 | | -- |
| 0023 | PVVR40023 | | TUYAU G 1/4" M/M P/SW. | 1,00 | | | -- |
| 0024 | GUGO27021 | 00027021 | O-RING D. 11 X 2.5 EPD 70SH | 1,00 | 01/05/2008 | | -- |



| Ref. K | Part n. | Part n. 2 | Description | Quantity | Validity | | Price |
|--------|-----------|-----------|---|----------|------------|------------|-------|
| | | | | | From | To | |
| 0001 | MPVR31495 | 00031495 | MANIVELLE PRT D. 3.5 | 1,00 | | | -- |
| 0002 | VTVT43875 | 00043875 | VIS TSPEI 4X40 UNI5933 | 1,00 | | | -- |
| 0003 | VTAE33674 | 00033674 | BAGUE D'ARRET D. 22 UNI 7435 | 3,00 | | | -- |
| 0004 | LAFN48786 | 00048786 | SUPP.ENROULEUR P190 | 1,00 | | | -- |
| 0007 | VTRS04924 | 00004924 | RONDELLE D.23X 39 | 1,00 | | | -- |
| 0008 | MPVR37152 | 00037152 | ENROULEUR PRT PP | 2,00 | | 30/09/2013 | -- |
| 0008 | MPVR40581 | | ENROULEUR PRT.ANM PP | 2,00 | 01/10/2013 | | -- |
| 0010 | VTVT29165 | 00029165 | VIS AF TCB-TC 5 X20 TL | 4,00 | | 09/09/2007 | -- |
| 0010 | VTVT40006 | | VIS AF TCB-TC 5 X20 HILO INX | 4,00 | 10/09/2007 | | -- |
| 0011 | LAFN48953 | 00048953 | AXE PRT 2V. 3PZ. | 1,00 | 10/06/2003 | | -- |
| 0011 | LAFN37663 | 00037663 | AXE PRT | 1,00 | | 09/06/2003 | -- |
| 0012 | RCIN10577 | 00010577 | RACCORD MALE 1/4MA | 1,00 | | | -- |
| 0012 | VTDD04369 | 00004369 | ECROU M 4 TEF UNI 7473 | 1,00 | | | -- |
| 0013 | GUVR37665 | 00037665 | BAGUE ANTIEXTR. D.17.8X22 X1.5 PTFE | 2,00 | | | -- |
| 0014 | GUGO01032 | 00001032 | O-RING D. 17.13 X 2.62 NBR 70SH | 2,00 | | | -- |
| 0015 | RCDS37667 | 00037667 | BLOCAGE PRT OT. | 1,00 | | 04/06/2010 | -- |
| 0015 | RCDS89862 | | BLOCAGE PRT-P237 G3/8 OT. | 1,00 | 05/06/2010 | | -- |
| 0016 | VTRS00514 | 00000514 | RONDELLE D.10X30X11.4 | 1,00 | | | -- |
| 0017 | VTVT00454 | 00000454 | VIS TE 10X16 | 1,00 | | | -- |
| 0018 | RCDS00608 | 00000608 | NIPPLE 3/8 - 1/4 SV | 1,00 | | 04/06/2010 | -- |
| 0018 | RCDS00610 | 00000610 | NIPPLE 3/8 - 3/8 SV | 1,00 | 05/06/2010 | | -- |
| 0019 | TBAP25930 | 00025930 | TUYAU D.JONCT. 5/16 R2 L=630 0- 0° 3/8F | 1,00 | | | -- |
| 0020 | RCIN03755 | 00003755 | RACC. FEMELLE 3/8MB | 1,00 | | | -- |
| 0024 | MPVR45822 | 00045822 | DOUILLE D.28-38/22.5 L=24.5 PVC N | 1,00 | | | -- |
| 9999 | VTDD46044 | 00046044 | ECROU M 6 GB. 1.7X 2.5 ZT | 4,00 | | | -- |
| 9999 | VTVT10021 | 00010021 | VIS TE 6X15 UNI8110 SW.FRM | 4,00 | | | -- |
| 9999 | VTRS04924 | 00004924 | RONDELLE D.23X 39 | 1,00 | | | -- |