

*Cleaning
Equipment*



portotecnica

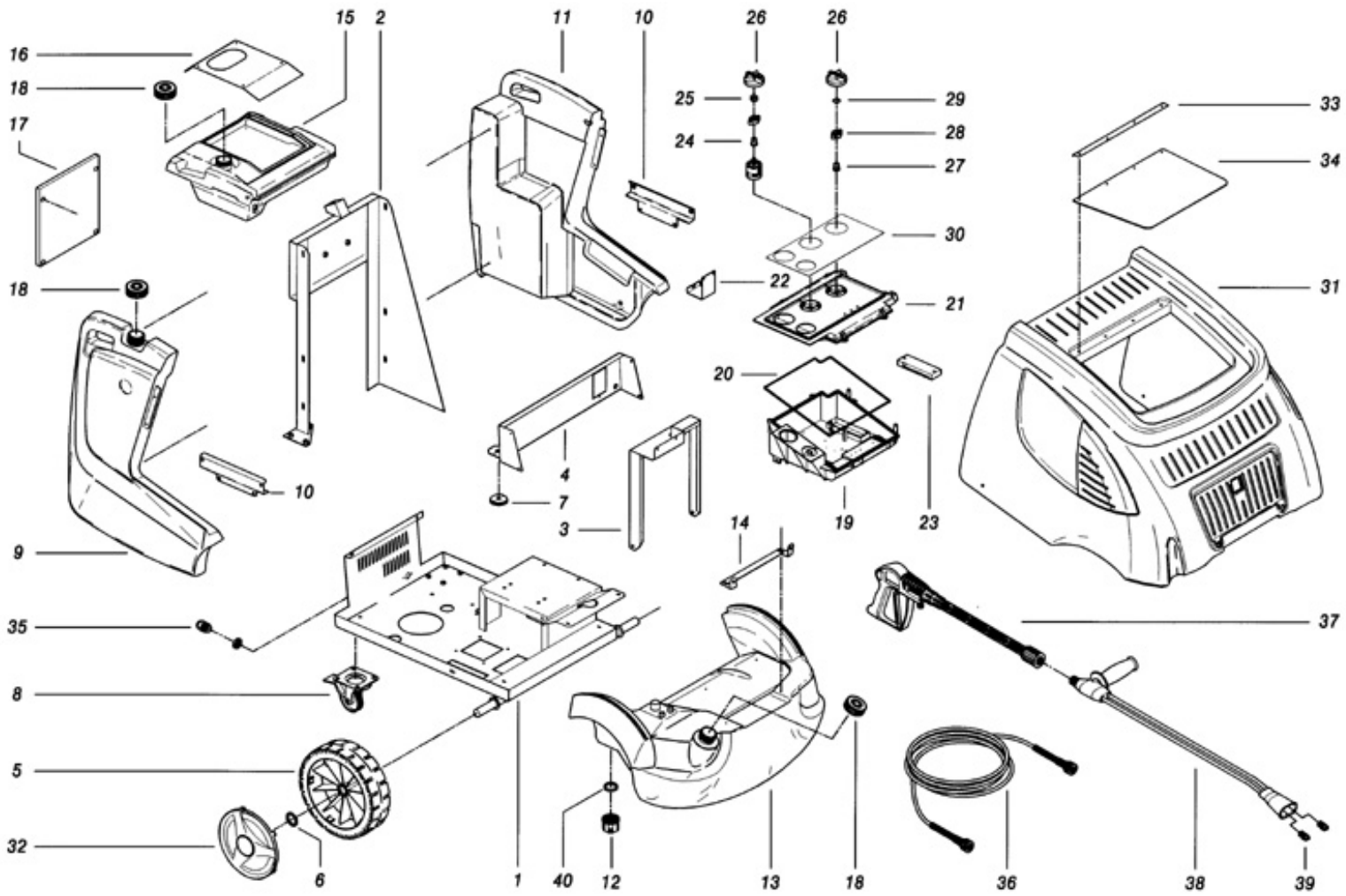
www.portotecnica.com

Spare Parts List

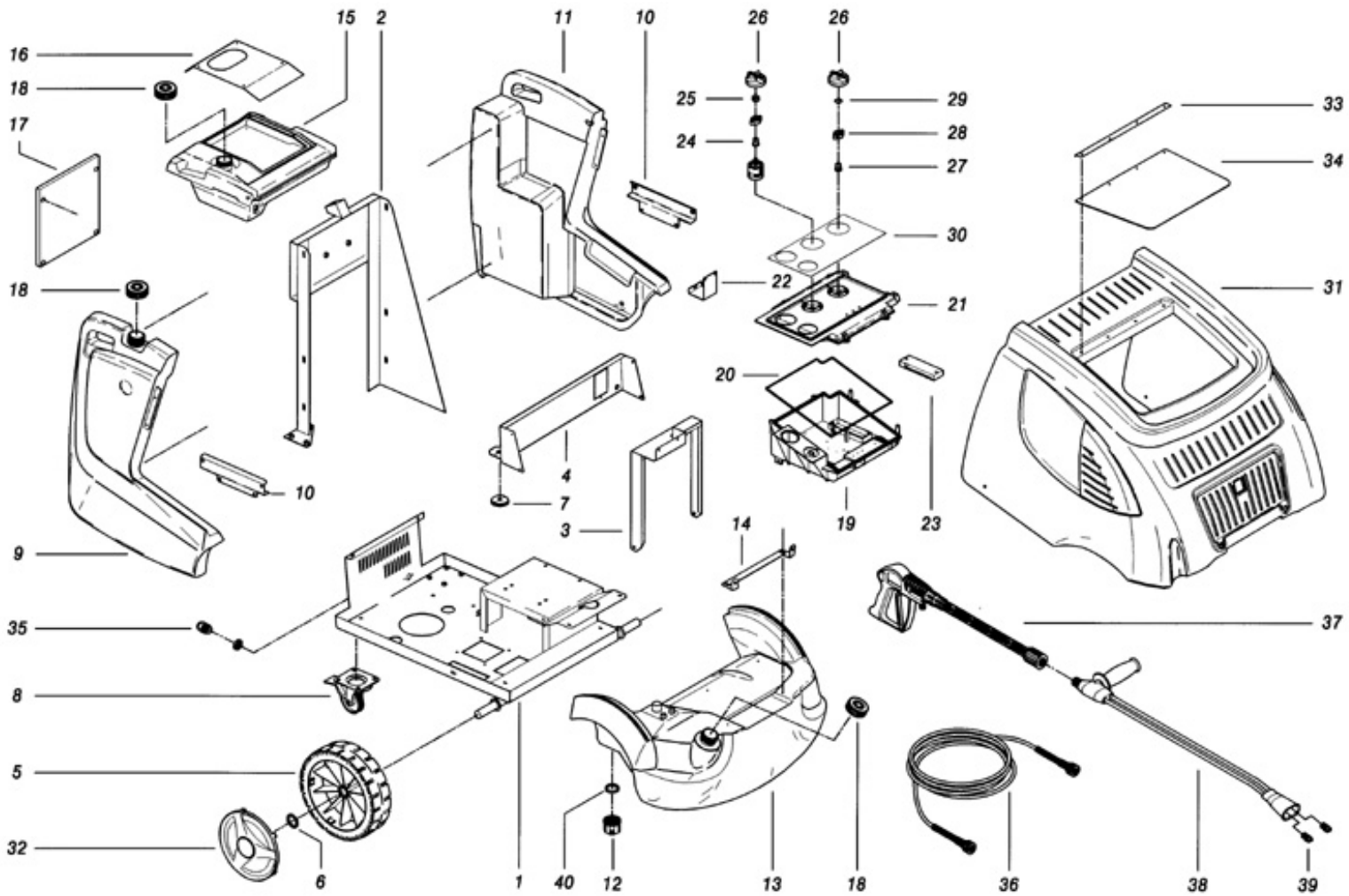
ICA SOTECO

Ref: IDAC44523

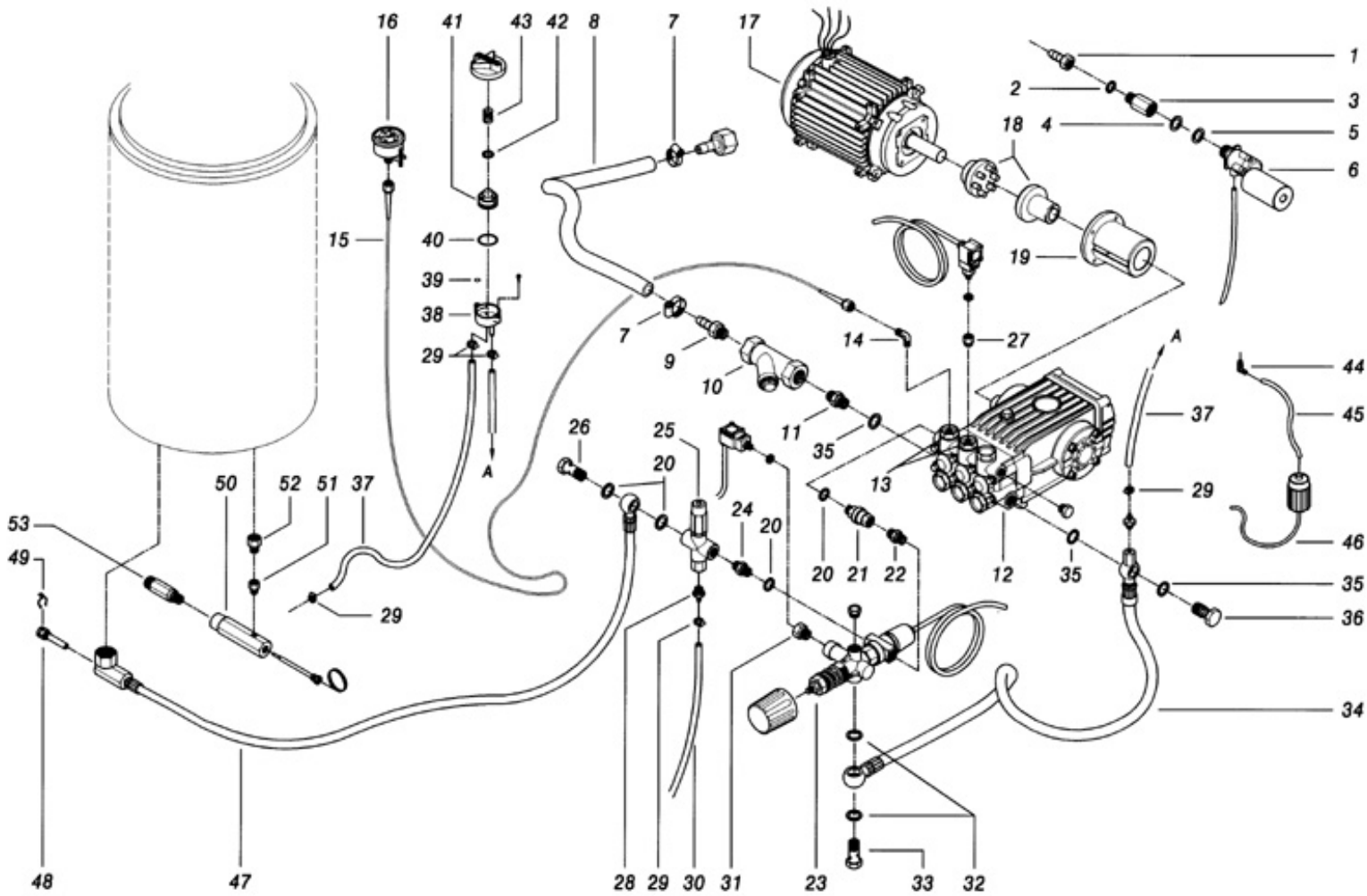
Model: IDROP HPS DS 1921 T 400/50 3-01PRT



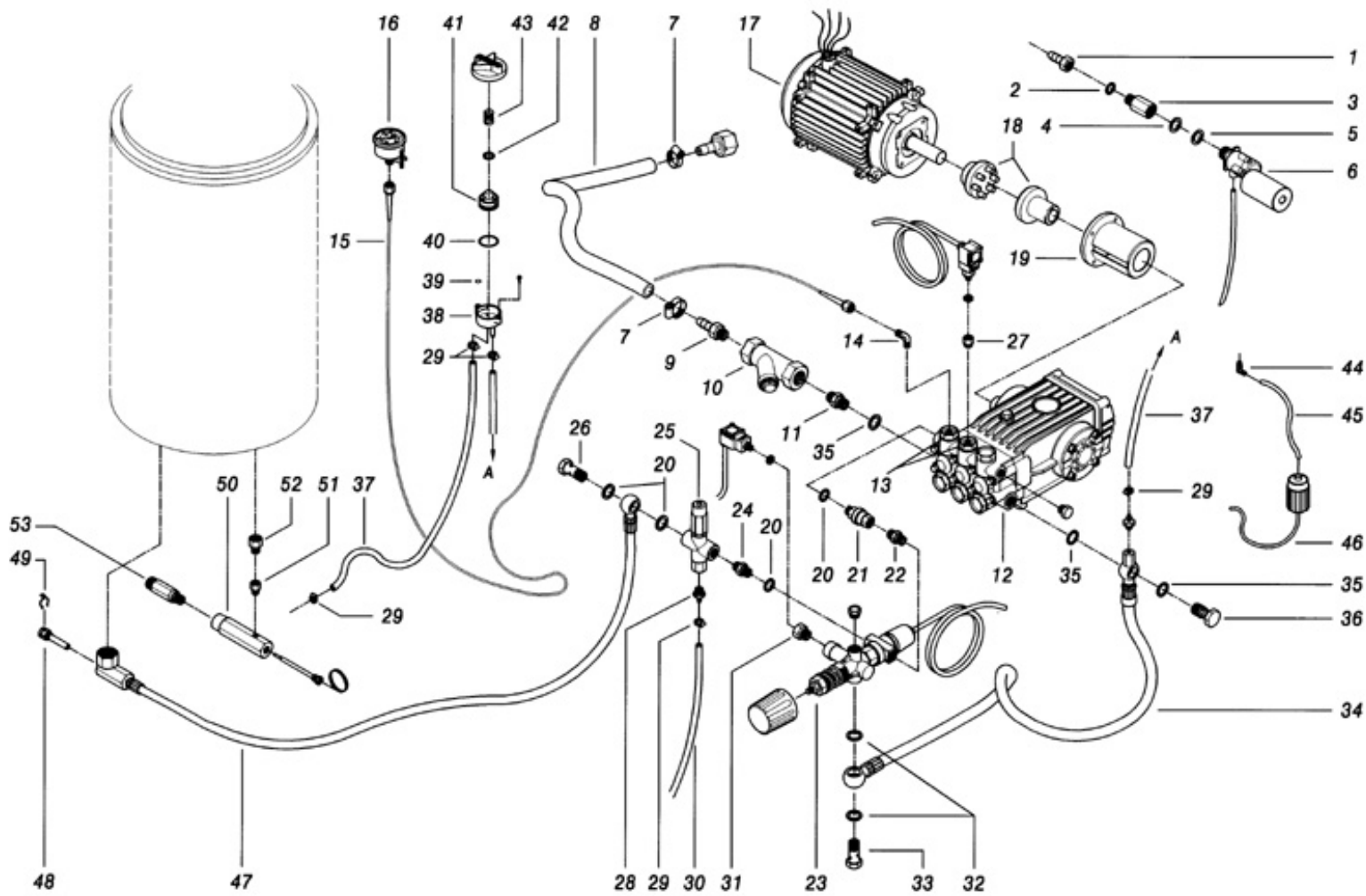
Ref.	K	Part N.	Customer Part N.	Description	Qty	Validity:	
						From	To
0001		LAFN44276		CHARIOT P105	1,00		
0002		LAFN44283		CHASSIS P105	1,00		
0003		LAFN44269		SUPPORT P105	1,00		
0004		LAFN44267		ETRIER SUPPORT P105	1,00		
0005		RTRT45383		ROUE D.305-D.25 RT-IPC	2,00	09/2001	
0006		VTRS09813		RONDELLE D.25	2,00		
0007		MPVR44324		SUPPORT NM1-P105 PVC	1,00		
0008		RTRT07480		ROUE PIVOTTANTE.D.125 P. MZ.PLS.	1,00		
0008		RTRT13708		ROUE PIVOTTANTE.D.125 P. MZ.PLS	1,00		
0009		MPVR85023		RESERVOIR ADM	1,00		
0010		LAFN45458		BRIDE P105 LAT.	2,00		
0011		MPVR85024		RESERVOIR EAU ADM	1,00		
0012		RCDS72851		BOUCHON 1/2" F NYL	1,00		
0013		MPVR45301		RESERVOIR FUEL P105-HPS	1,00		
0014		LAFN45456		BRIDE P105 ANT.	1,00		
0015		MPVR85026		BAC ADM	1,00		
0016		LAFN44264		PANNEAU P105-HPS INX	1,00		
0017		MPVR45293		PANNEAU POST. ADM-P105 PE	1,00		
0018		MPVR40573		BOUCHON BAC MHDS-SK	3,00		
0019		MPVR33248		BOITE CONTROLE MISTRAL PP	1,00		
0020		GUGO11309		JOINT MOUSSE D. 3	1,20		
0021		MPVR33249		COUVERCLE BOITEMISTRAL	1,00		
0022		LAFN34423		ETRIER SUPPORT MST.S-P	1,00		
0023		MPVR33250		COUVERCLE CABLEMISTRAL	1,00		
0024		MPVR23482		TALON TEC. TUV	1,00		
0025		GUGO23079		BAGUE V-SEAL VA0014 13.5- 15.5	1,00		
0026		MPVR20190		POIGNEE GRIS KSM	3,00		
0027		MPVR23484		TALON THERM.KSM TUV	1,00		
0028		MPVR41903		EPAISSEUR TERM.IM.PA66	1,00		
0029		GUGO25527		O-RING D. 14 X 3 NBR 70SH	1,00		
0030		ETET40687		ETICHETTE MST PR.II DS PLC	1,00		
0031		MPVR44796		COUVERT.ROUGE HPS COMP. ABS	1,00		
0032		MPVR45384		ENJOLIVEUR ROU.D. 305 RT-PRT	2,00	09/2001	
0033		LAFN45294		AGRAFE P.TUYAU P105-HPS INX	1,00		
0034		MPVR44347		PROTECTION P105-HPS PVC	1,00		
0035		MEVR33994		COLLIER DE SER.4228 B D. 6- 18	1,00		
0036		TBAP16656		TUYAU H.P. R2 MT 15 5/16" IRV F-SWIV	1,00		
0037		IPPR12973		POIGNEE ST 2000 - P 330 - M22 M V	1,00		
0038		LCPR12983		RALLONGE DOUBLEPD 70	1,00	10/2001	



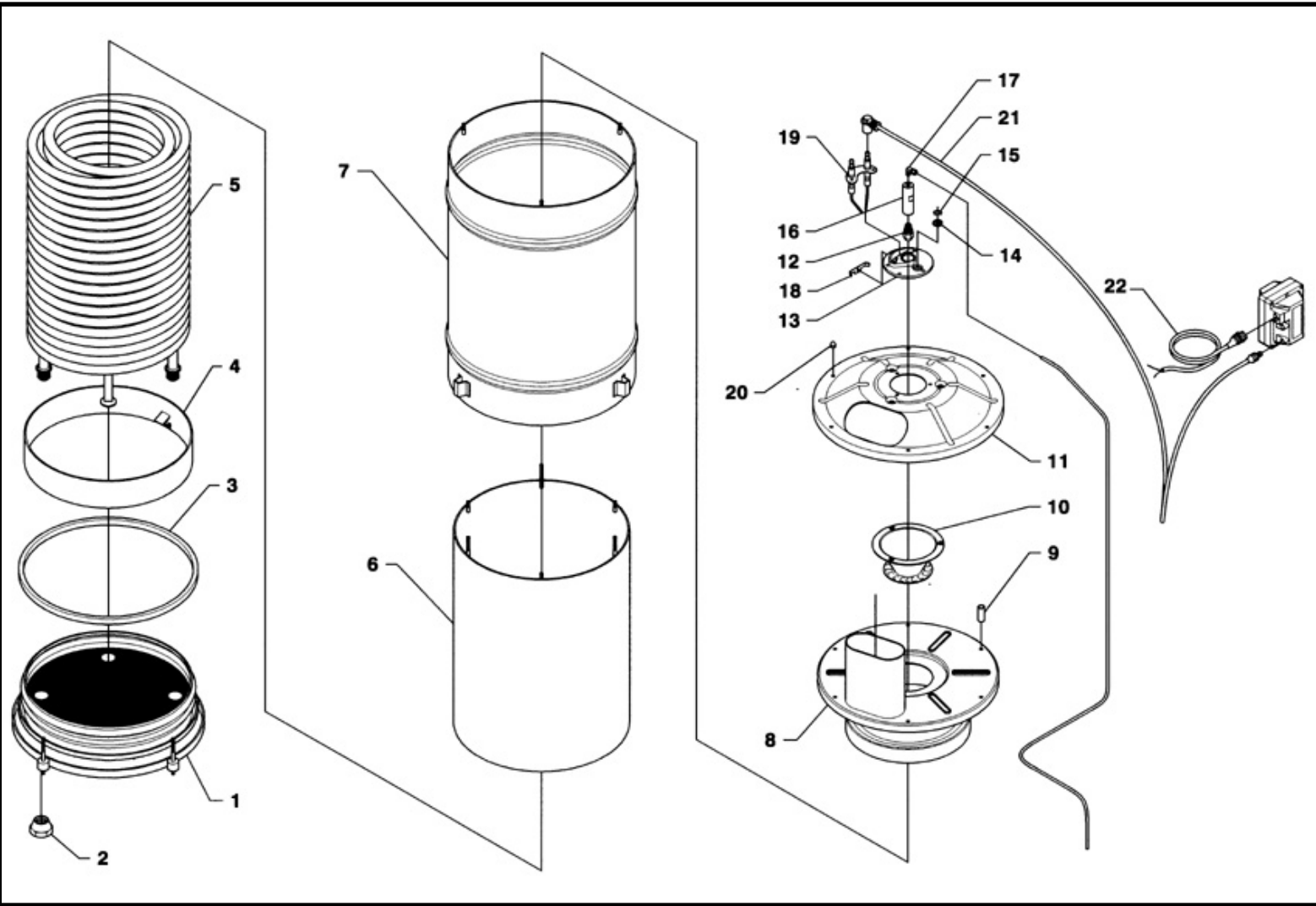
Ref. K	Part N.	Customer Part N.	Description	Qty	Validity:	
					From	To
0039	UGLN02304		BUSE 1/4 25065	2,00	10/2001	
0040	GUGO45302		JOINT D. 20- 35 X 2.5	1,00		
9999	GUVR16593		BAGUE ANTIEXTR.PTFE ST 44	1,00		
9999	GUGO16594		O-RING D. 9.13 X 2.62 EPDM 70SH	1,00		
9999	KTRI16996		KIT P 33- 1	1,00		



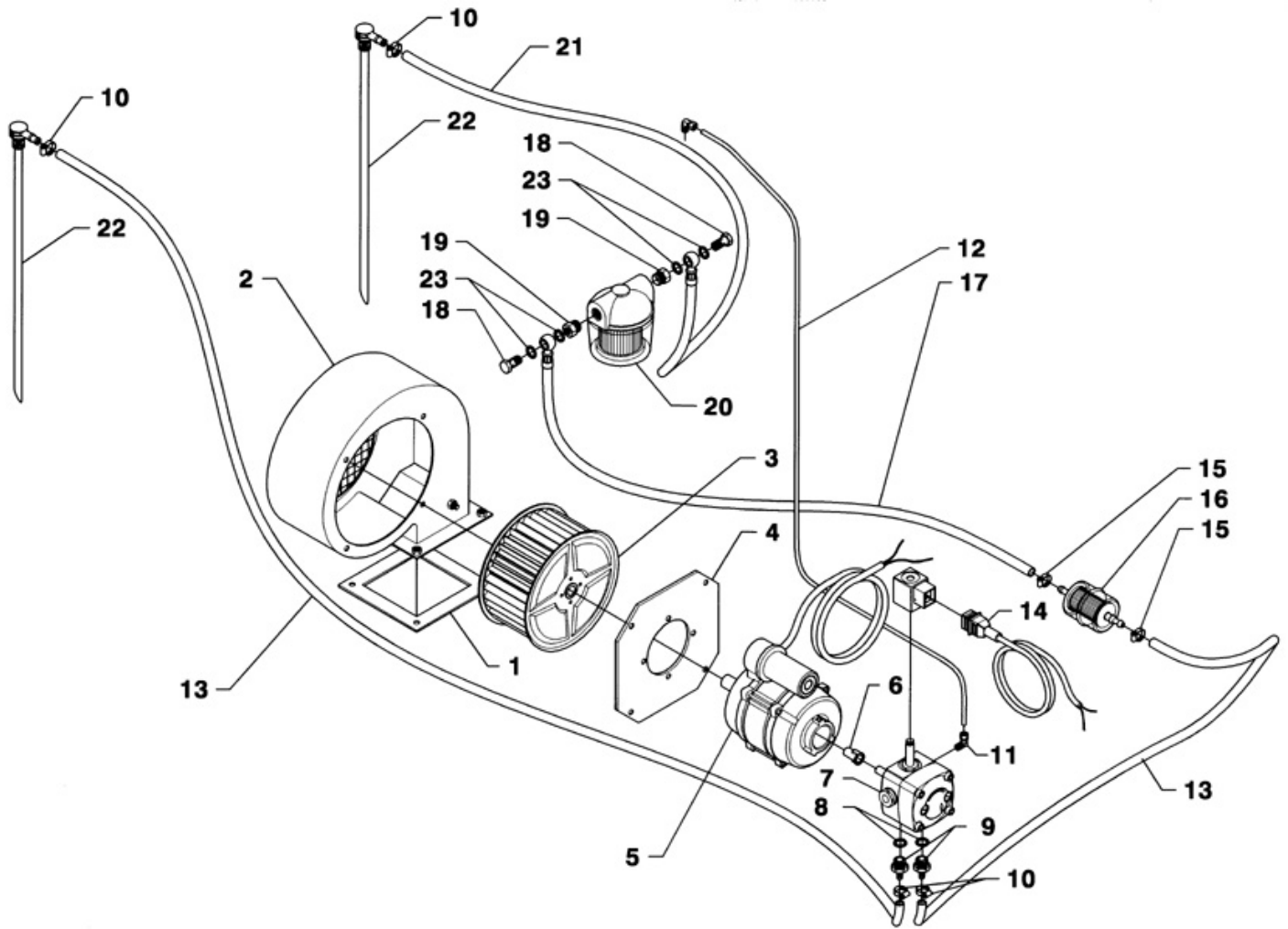
Ref.	K	Part N.	Customer Part N.	Description	Qty	Validity:	
						From	To
0001		RCVR29600		PRISE PTC 3/4 F	1,00		
0002		GUGO42220		JOINT D. 3/4" X2	1,00		
0003		RCDS45082		MANCHON 3/4 M/F D.12-32 L.32 OT	1,00		
0004		GUGO43071		JOINT D. 14- 24 X 4 70SH	1,00		
0006		RCGR39997		FLOTTEUR MTM 3/4G M 10BAR	1,00		
0007		FSVR00431		COLLIER D. 16-25	2,00		
0008		TBBP15656		TUYAU B.P. D.16-26 20BAR	0,60		
0009		RCDS45366		RACC. P. TUYAU 3/4 M D.13-16 ZC	1,00	09/2001	
0010		FTAC33904		FILTRE 3/4 F/F 2.VERS.	1,00		
0011		RCDS00602		NIPPLE 3/4 - 1/2 CN D.13.5	1,00		
0012		PPAP05103		POMPE WS102 SX LT 21-100 BAR	1,00		
0013		RCDS09059		BOUCHON M24X2X16 + 1/4F OTT	2,00		
0014		RCVR12430		COUDE 1/4" M/M A15	1,00		
0015		TBAP04437		TUYAU POLYAMIDEL=420 1/4-1/4 F-F	1,00		
0016		MNMN07992		MANOMETRE 0-250 D.50	1,00		
0017		MOTR44898		MOTEUR 3PH B3-14 HP 9 50HZ 230-400	1,00		
0018		FGGT45295		ACC. ELASTIQUE IP WW 9.0HP P105	1,00		
0019		MFVR15245		BRIDE HP 5.5 W 151 ZF151	1,00		
0020		VTRS12492		RONDELLE 3/8	2,00		
0021		RCVR00563		JOINT ROTATIF 3/8 M/F	1,00		
0022		RCDS00610		NIPPLE 3/8 - 3/8 SV	1,00		
0023		VVAZ45134		SOUPAPE MV 550 2.G3/8F	1,00		
0024		RCDS12121		NIPPLE 3/8 - 3/8 SV/CN	1,00		
0025		VVSC40541		SOUPAPE VS 220 2 G3/8 F	1,00		
0026		RCDS01371		VIS CREUSE G 3/8 A.P.	1,00		
0027		RCVR02596		MANCHON 1/4 M/F A5	1,00		
0028		RCDS03514		RACC. P. TUYAU 3/8 M D. 5- 7	1,00		
0029		FSVR00427		COLLIER D. 12 CLIC 66-110	5,00		
0030		TBBP04917		TUYAU B.P. D. 6- 9	0,60		
0031		RCVR00644		REDUCTION 1/4-1/8 M/F	1,00		
0032		VTRS12821		RONDELLE D.14X21,5X1	2,00		
0033		RCDS02612		VIS CREUSE G 1/4 A.P.	1,00		
0034		TBBP41686		TUYAU BY-PASS L=390 1/2+V.NRT-1/4OC 90°	1,00		
0035		VTRS12491		RONDELLE 1/2	2,00		
0036		RCDS33982		VIS CREUSE 1/2 C/SC. L=41.5 D.13.5	1,00		
0037		TBBP00051		TUYAU DETERGENTD. 6-12	0,90		
0038		RCGR08069		CORPS ROBINET DET. PRT	1,00		
0039		GUGO08071		O-RING D. 4.48 X 1.78 NBR 70SH	1,00		
0040		GUGO12183		O-RING D. 23.4 X 3.53 VIT 70SH	1,00		



Ref. K	Part N.	Customer Part N.	Description	Qty	Validity:	
					From	To
0041	RCGR08070		REGULATEUR PRT	1,00		
0042	VTRS00542		RONDELLE D.14X20	1,00		
0043	MLML08068		RESSORT D.1,5 L.23	1,00		
0044	RCVR14044		RACCORD L 1/8" M C5 D. 6/ 4 NIK	1,00		
0045	TBBP11756		TUYAU B.P. D. 4- 6 RILSAN NTR	0,40		
0046	TBBP00058		TUYAU B.P. D. 4- 6	0,60		
0047	TBAP44709		TUYAU D.JONCT. 3/ 8 R2 L=710 3/8O-1/2PMG	1,00		
0048	RCDS00593		RECUPERATION IM 0-120 L=50	1,00		
0049	MLML02623		RESSORT IMT	1,00		
0050	RCDS19322		CORPS BLOC 3/8F-M14	1,00		
0051	VTDD19324		ECROU G 1/2	1,00		
0052	RCDS19326		RACCORD M 14	1,00		
0053	RCDS44542		RACCORD M22 M -3/8M L=100 OT.	1,00		

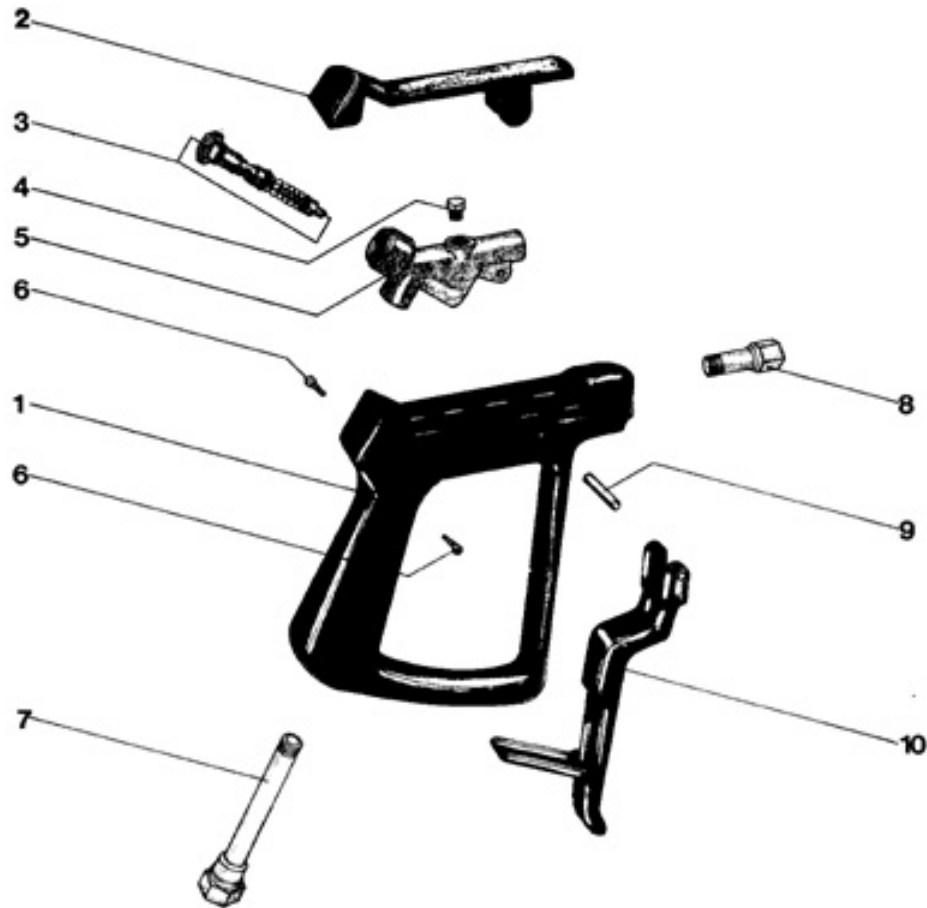


Ref.	K	Part N.	Customer Part N.	Description	Qty	Validity:	
						From	To
0001		LAFN12715		FOND CHAUDIERE FUT	1,00		
0002		RCDS00561		FRETTE 1/2 OTT	2,00		
0003		GUVR35205		JOINT D. 7 FIB.	1,02		
0004		LAFN11708		CALE FUT	1,00		
0005		LAFN38136		SERPENTIN DOUB.3/8 MST 40MT 200B.	1,00		
0006		LAFN08244		CYLINDRE INT. J.FUT INX	1,00		
0007		LAFN08242		CYLINDRE EXT. J.FUT INX	1,00		
0008		LAFN08072		COUVERCLE CHAUDFUT INX	1,00		
0009		LAFN09096		ENTRETOISE 10X28,5	3,00		
0010		LAFN08042		DEFLECTEUR FUT	1,00		
0011		LAFN07676		COUVERCLE CHAUDFUT INX	1,00		
0012		UGBR31344		GIGLEUR BRULEUR1.75 60 S	1,00		
0013		MFVR18226		PORTE-ELECTRODEFUT 3°V	1,00		
0014		MPVR18228		TEMOIN HUILE D.17 X3	1,00		
0015		VTAE22633		SEEGER 0.4 X18,30X10,5	1,00		
0016		RCDS07642		PORTE BUSE FUT	1,00		
0017		RCVR08954		COUDE 1/8"-4 B5	1,00		
0018		LAFN07641		PLAQUETTE INX	1,00		
0019		MECA12525		ELECTRODE FUT	1,00		
0020		VTDD05907		ECROU M 6 CIE.	6,00		
0021		MECV35334		CABLE A.T. 5KOHM/M L= 400 PIP	2,00		
0022		MECB34463		CABLE BT L=800 SP.	1,00		

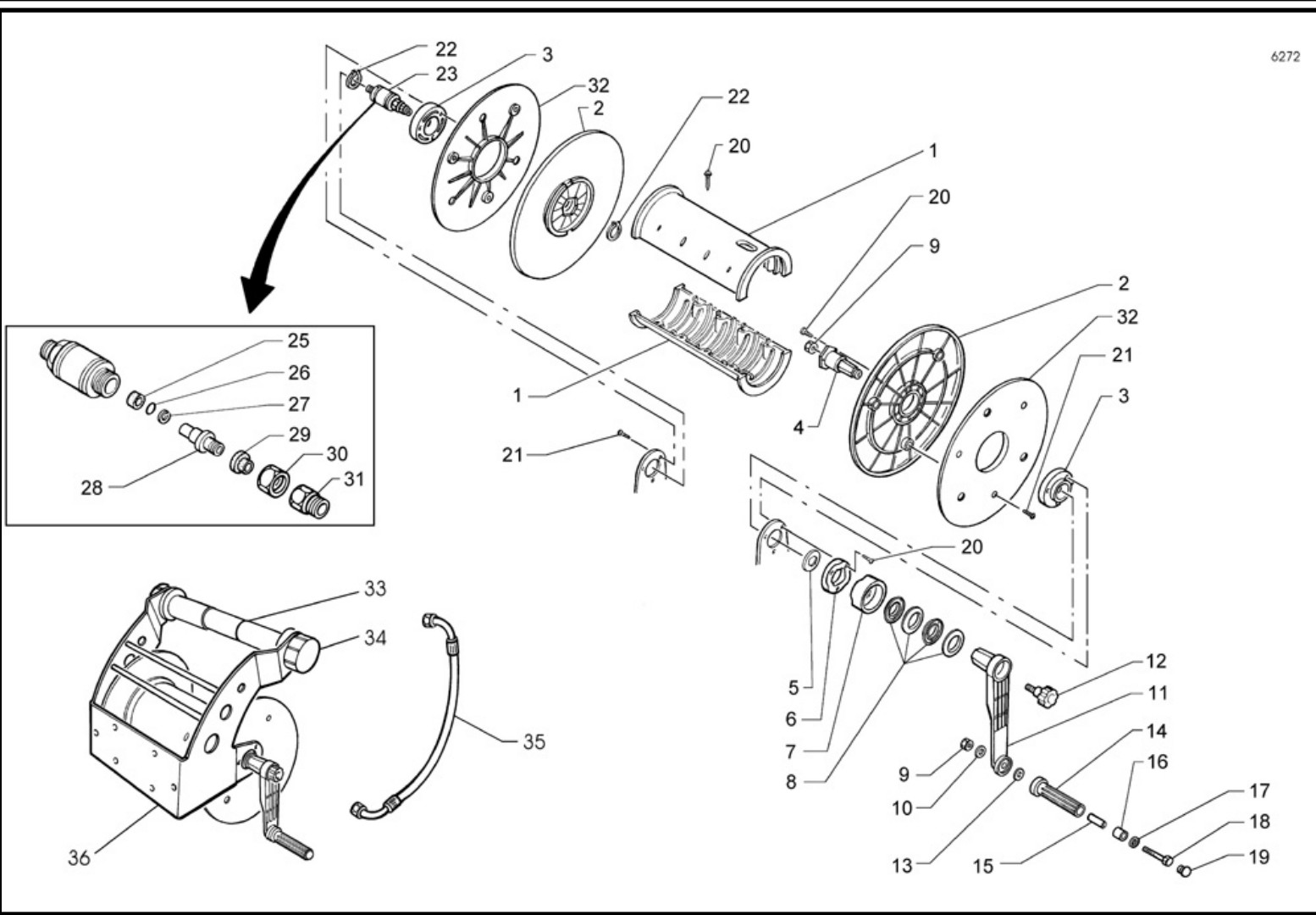


Ref.	K	Part N.	Customer Part N.	Description	Qty	Validity:	
						From	To
0001		GUGO11214		JOINT FLL	1,00		
0002		LAFN44325		VIS SANS FIN CB4 -P105	1,00		
0003		VEVR34275		HELICE D.160-80 D.12.7 36P B.SX	1,00		
0004		LAFN10272		PLAQUE P.MOTEURCB 3	1,00		
0005		MOMB34119		MOTEUR BRULEUR 230-50 IP44 150W A.OR	1,00		
0006		KTRI36516		KIT P 18- 9	1,00		
0007		PPGS27370		POMPE FUEL DLT VM1LR25	1,00		
0008		VTRS04931		RONDELLE D.13X19X1.5	2,00		
0009		RCDS00626		RACC. P. TUYAU 1/4 M D. 5- 7	2,00		
0010		FSVR00427		COLLIER D. 12 CLIC 66-110	2,00		
0012		TBCO45038		TUYAU GASOIL P105 40MT D. 4	1,00		
0013		TBCO06945		TUYAU B.P. D. 6-12 10BAR	0,41		
0014		MECB18118		CABLE DLT L=1.600	1,00		
0015		FSVR11197		COLLIER D.I. 11 13315	2,00		
0016		FTCO34840		FILTRE FUEL FB 1	1,00		
0017		TBBP34456		TUYAU B.P. L= 150 1/4OC.-LIB.	1,00		
0018		RCDS02612		VIS CREUSE G 1/4 A.P.	2,00		
0019		RCVR02607		REDUCTION 3/8-1/4 M/F	2,00		
0020		FTCO30578		FILTRE FUEL 3/8 0.1-SP	1,00		
0021		TBBP44517		TUYAU B.P. L= 750 1/4OC.-LIB. 6X12	1,00		
0022		RCDS20136		TIRANT L= 355 C.	2,00		
0023		VTRS12821		RONDELLE D.14X21,5X1	4,00		

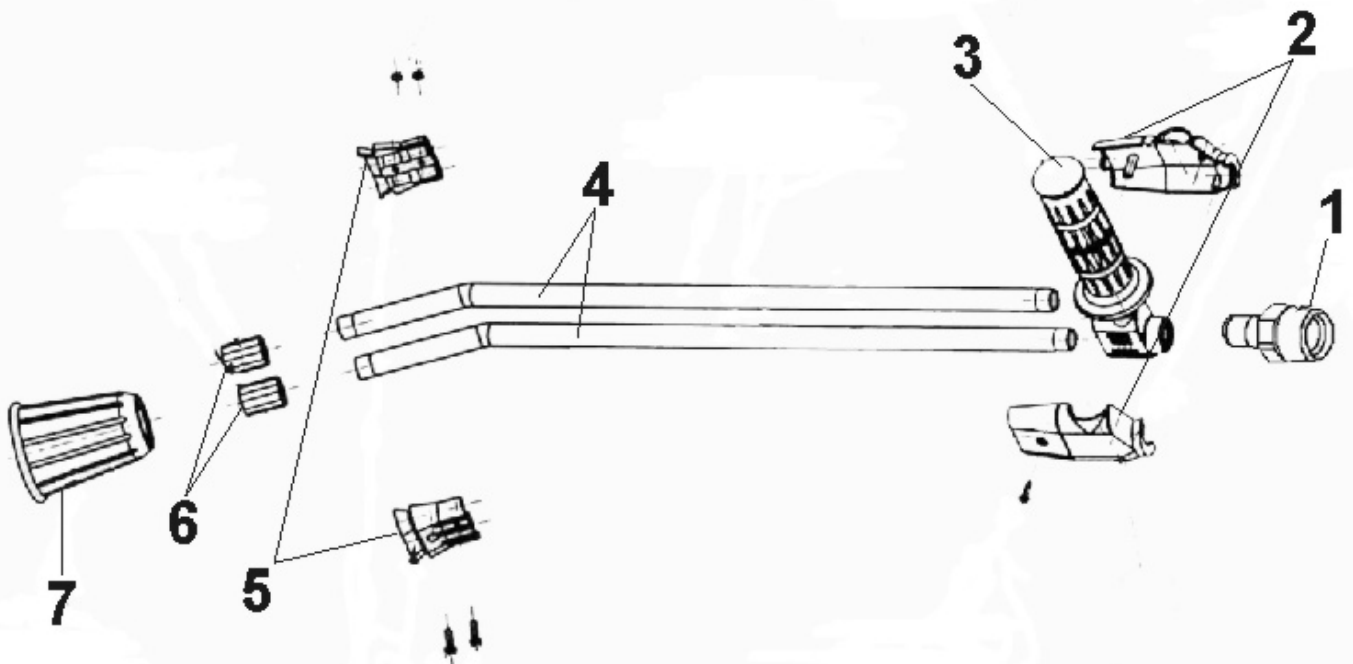
Ref.	K	Part N.	Customer Part N.	Description	Qty	Validity:	
						From	To
K		METT41888		CONTACT SIE N.A. 3RH19 21-1EA11	1,00	10/2001	
K		METT24415		TELERUPTEUR SIE 3TF 4210 OAC2- 24V	1,00		10/2001
K		METT45022		TELERUPTEUR SIE 3RT 1025 1AC20 24V	1,00	10/2001	
P		MEPF39902		PRESSOSTAT MTM 1/4M NA/NC 25B. MICRO	1,00		
T		METY33753		MINUTEUR 3 S. MST 24V	1,00		
EC		MECE40708		PLATINE MISTRAL PR.II T-ST/MP/LIV	1,00		
EV		MEBE22173		BOBINE DLT 24-50	1,00		
F1		MEVR09010		FUSIBLE 5X20 0,5A	1,00		
F2		MEVR00237		FUSIBLE 5X20 3,15A	1,00		
F3		MEVR02824		FUSIBLE 5X20 1A	1,00		
G1		MECI34445		INTERRUPTEUR REED N.A.H185 L=1300	1,00		
G2		MECI40941		SENSEUR NIVEAU S1.PML.M16	1,00		
IG		MECI40544		COMMUTATEUR 0-1-2 HD12H022-R000	1,00		
LC		MECE34831		FILTRE LC F.AH.DA.3100ZF 6.5A	1,00		
PA		MEPD25575		POMPE DOSEUSE NM1 24V RSN	1,00		
RT		METT45034		RELAIS THERM. SIE 3RU1126-4BB0 14-20 A	1,00	10/2001	
RT		METT24504		RELAIS THERM. SIE 3UA5200-2C 16 -25 A	1,00		10/2001
S1		MEPF39741		PRESSOSTAT MTM 1/8M NA/NC 25B. MICRO	1,00		
S2		MEPF45229		PRESSOSTAT MTM 3/8M NA/NC 25B. MICRO	1,00		
TA		METR34464		TRANSFORMATEUR 230V-50HZ 2X4000V SP4 CM	1,00		
TH		METK19354		THERMOSTAT 0-150° L=1200	1,00		
TR		METR11977		TRANSFORMATEUR 35VA 230-400/24 50/60HZ	1,00		
TS		METK34839		THERMOSTAT 50°C TR/711-N C.1.5	1,00		
CV1		MECB17414		CABLE H07 RNF 4X2.5 L=6.500	1,00		



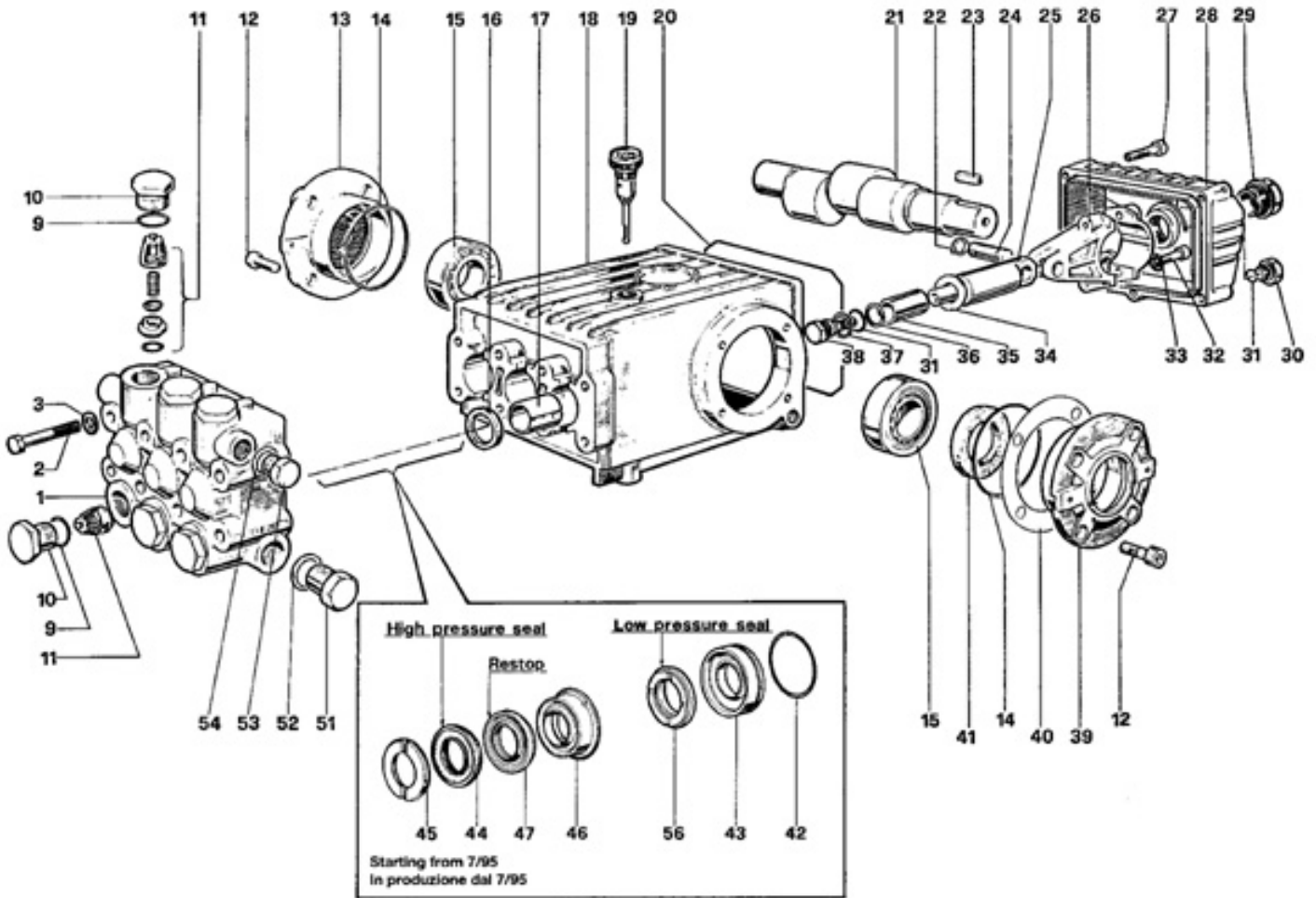
Ref. K	Part N.	Customer Part N.	Description	Qty	Validity:	
					From	To
0001	PVVR08141		COQUE ST 2000	1,00		
0002	PVVR08142		COUVERCLE ST 2000	1,00		
0003	KTRI10689		KIT P 26- 1	1,00		
0004	RCDS08145		BOUCHON G 1/8" OT	1,00		
0005	PVVR08146		CORPS DE LAITON	1,00		
0006	VTVT28553		VIS TCB-TC 3.5X16	2,00		
0007	PVVR29763		TUYAU G 1/4" +RCC 3/8"	1,00		
0008	PVVR08147		RACCORD 1/4 ST 2000	1,00		
0009	PVVR08149		PIVOT	1,00		
0010	PVVR08143		LEVIER CONTROLE	1,00		



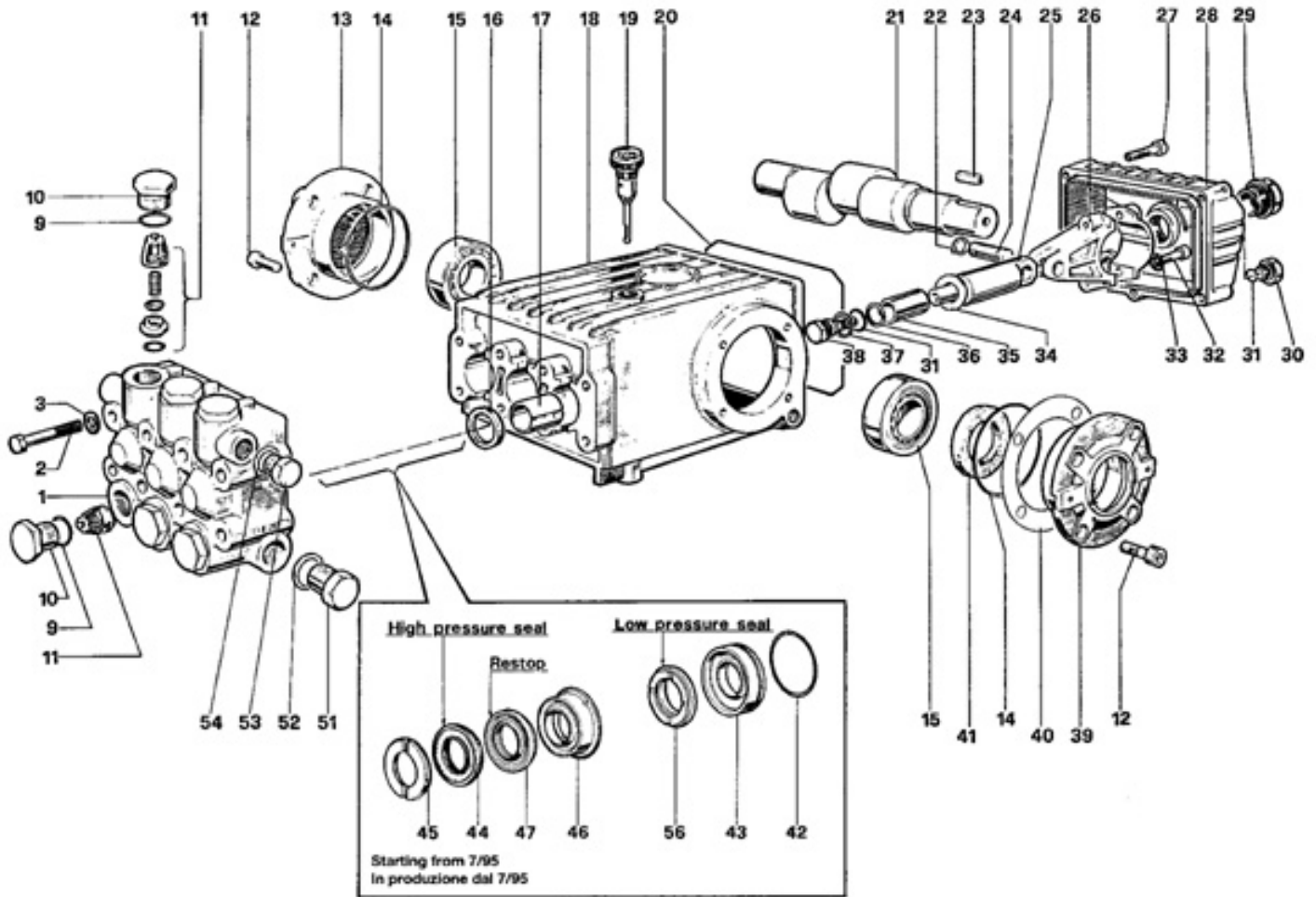
Ref.	K	Part N.	Customer Part N.	Description	Qty	Validity:	
						From	To
0001		MPVR74144		DEMI-COQUE ROLLER 20	2,00		
0002		MPVR74140		DISQUE ROLLER 20/40	2,00		
0003		MPVR77565		BAGUE ROLLER 20/40	2,00	01/2000	
0004		FGGT74143		JOINT ROLLER 20/40	1,00		
0005		MPVR77567		BAGUE ROLLER	1,00	01/2000	
0006		MPVR77568		BAGUE ROLLER	1,00	01/2000	
0007		MPVR77569		BAGUE ROLLER	1,00	01/2000	
0008		KTRI76783		KIT S	1,00		
0009		VTDD10776		ECROU M 8 X1 UNI 5588	2,00	02/2000	
0010		VTRS05705		RONDELLE D.8 X 24	1,00	02/2000	
0011		MPVR74142		LEVIER ROLLER 20/40	1,00		
0012		VTVR74163		PETIT VOLANT VAL-PA M 8 X 30	1,00		
0013		VTRS00505		RONDELLE D.10 TE UNI 6592	1,00	02/2000	
0014		MPVR74792		POIGNEE	1,00		
0015		RCVR74200		MANCHON ROLLER 20/40	1,00		
0016		MPVR77566		DOUILLE ROLLER 20/40	1,00	01/2000	
0017		VTRS00504		RONDELLE D. 8 TE	1,00	02/2000	
0018		VTVT00453		VIS TE 8X60 UNI5739	1,00	02/2000	
0019		MPVR37542		CAOUTCHOUC D.E.25 -L.27 70-80SH	1,00		
0020		VTVT85143		VIS AF 4X 16 UNI 6954-71 ZN.N	12,00	02/2000	
0021		VTVT01520		VIS AB 4,2X 9,5 UNI 6954-71	15,00	02/2000	
0022		VTAE31890		BAGUE D'ARRET D. 35 UNI 7435	2,00		
0023		RCIN75339		JOINT ROTATIF ROLLER	1,00		
0025		LAFN74740		DOUILLE	1,00		
0026		GUGO38710		O-RING D. 9.3 X 2.4 VIT 70SH	1,00		
0027		GUVR72923		BAGUE ANTIEXTR.13,9X 10,2	1,00		
0028		LAFN74737		PIVOT	1,00		
0029		RCVR74739		ENTRETOISE	1,00		
0030		RCDS74738		FRETTE M22x1	1,00		
0031		RCIN74742		RACCORD	1,00		
0032		MPVR74150		DISQUE ROLLER 20/40	2,00		
0033		MPVR74138		POIGNEE SHARK	1,00		
0034		MPVR40573		BOUCHON BAC MHDS-SK	2,00		
0035		TBAP75441		TUYAU H.P. 3/8" RD 400 R2AT lg.650	1,00		
0036		LAFN85235		SUPP.ENROULEUR ADMIRAL	1,00		



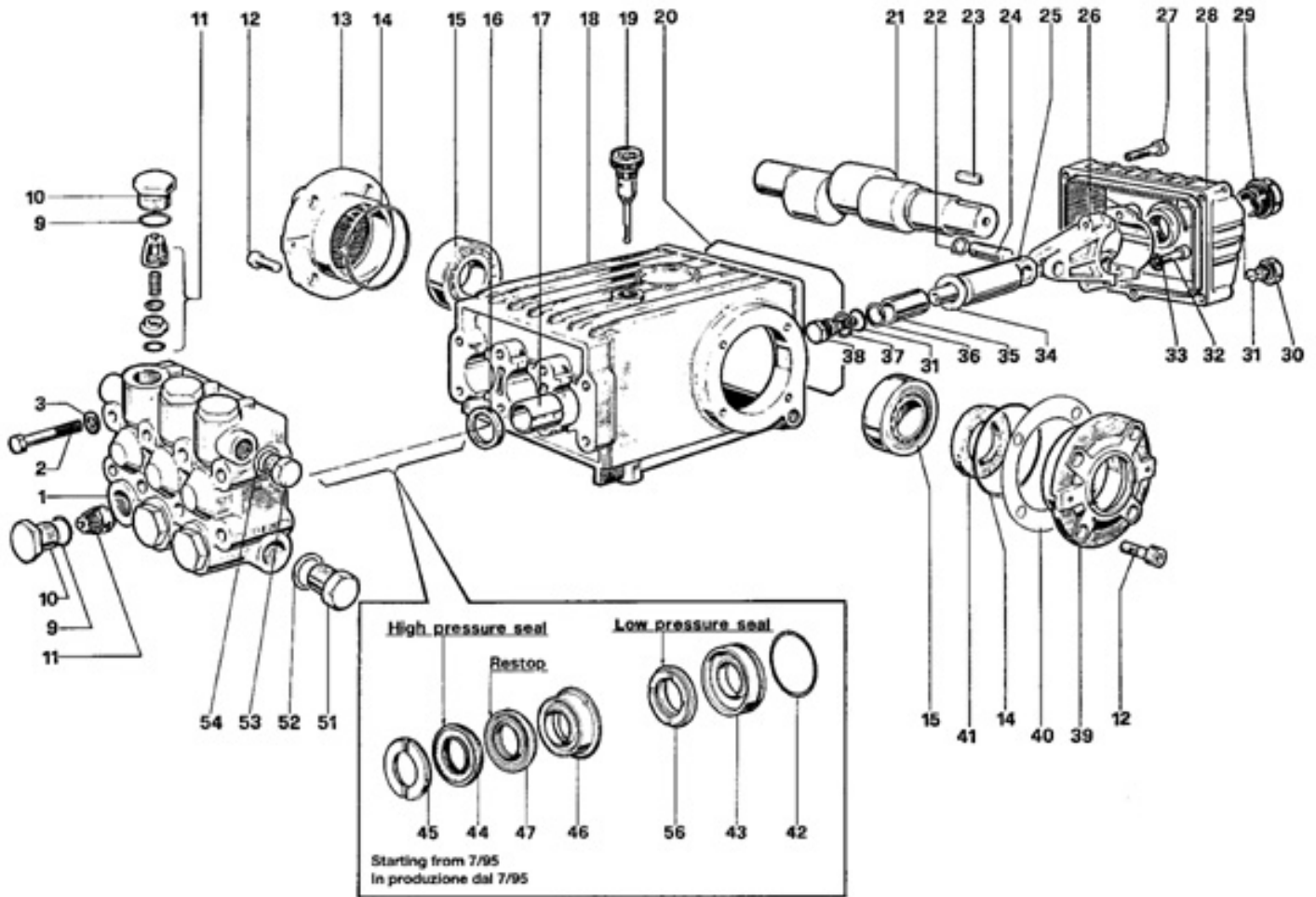
Ref. K	Part N.	Customer Part N.	Description	Qty	Validity:	
					From	To
0001	PVVR45296		RACCORD G 1/4M -M22 M	1,00		
0002	MPVR45214		PROTECTION TB.1/4 MTM	1,00		
0003	RCGR45737		ROBINET 1/4 F LD MTM	1,00		
0004	LCPR45740		TUYAU 1/8 L=660 INOX MTM	2,00		
0005	MPVR45001		COQUILLE LD MTM	1,00		
0006	RCVR45741		PORTE BUSE 1/4-1/8 F MTM	2,00		
0007	PVVR43810		PROTECTION L.D. MTM	1,00		



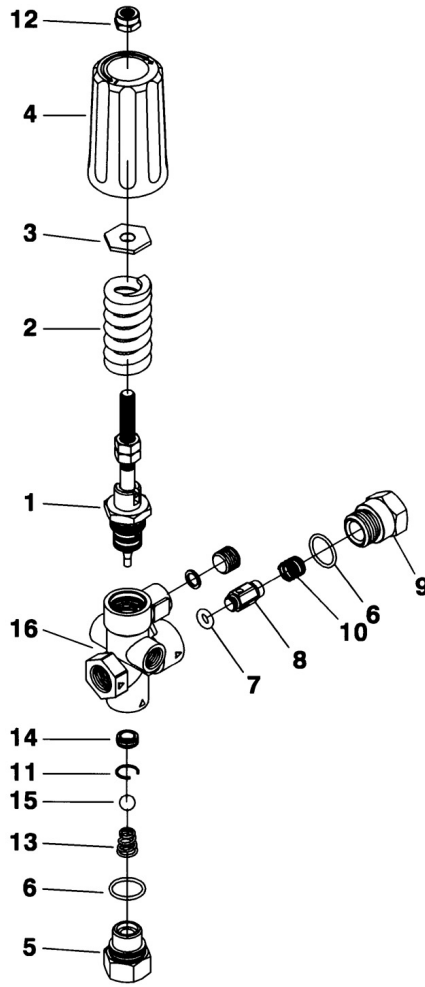
Ref.	K	Part N.	Customer Part N.	Description	Qty	Validity:	
						From	To
0001		MFVR01097		CULASSE W 151	1,00		
0002		VTVT01111		VIS TE M 8X70 UNI 5737	8,00		
0003		VTRS01072		RONDELLE D. 8 TC	8,00		
0009	S	GUGO01033		O-RING D. 20.24 X 2.62 NBR 90SH	6,00		
0010	S	RCDS01087		BOUCHON M24X2X16 OTT	6,00		
0011	S	VVAM01104		ENSEMBL. CLAPETW 70-151	6,00		
0012		VTVT01118		VIS TCEI 8X16	8,00		
0013		MFVR03576		COUVERCLE CART.W151	1,00		
0014		GUGO01041		O-RING D. 67.95 X 2.62 NBR 70SH	2,00		
0015		CUVR09205		ROULEM.A ROUL. 32206 A	2,00		
0016	S	GUGO01000		JOINT SPI 22X 32X 5.5 NBR70	3,00		
0017		PVVR01011		DOUILLE W 151	3,00		
0018		MFVR01013		CARTER POMPE W 151	1,00		
0019		PVVR01092		JAUGE D'HUILE W 151	1,00		
0020		GUGO34590		O-RING D. 133.02 X 2.62 NBR 70SH	1,00		
0021		ALMO06514		ARBRE WS202	1,00		
0022		VTAE14016		BAGUE D'ARRET D. 12 UNI 7435	6,00		
0023		VTVR01031		CLAVETTE 8X7X25 UNI6604	1,00		
0024		PVVR01085		CHEVILLE-GOUJOND.13X35 W151	3,00		
0025		PVVR01029		TIGE DE PISTON W 151	3,00		
0026		BLVR01009		BIELLE W 151	3,00		
0027		VTVT01116		VIS TCEI 6X30 UNI5931	5,00		
0028		MFVR03582		COUVERCLE CART.W 151 POS	1,00		
0029		PVVR01083		VOYANT HUILE G 3/4 W70-151	1,00		
0030		RCDS01088		BOUCHON 1/4X 9 M WW90	1,00		
0031	S	GUGO01036		O-RING D. 10.82 X 1.78 NBR 70SH	4,00		
0032		VTVT01120		VIS TCEI 8X35 UNI5931	6,00		
0033		VTRS14242		RONDELLE D. 8.4X13X0.8 UNI7064 SCH	6,00		
0034	S	VTRS01753		RONDELLE D.14X28 X0,5	3,00		
0035		PIVR01066		PISTON D.20X50 W 151	3,00		
0036	S	GUVR00994		BAGUE ANTIEXTR.W151	3,00		
0037	S	VTRS01076		RONDELLE D.14X18,5X0,5	3,00		
0038	S	PVVR01107		VIS PISTON IP W151	3,00		
0039		MFVR03583		COUVERCLE CART.W151	1,00		
0040		PVVR01016		EPAISSEUR 0,1 W 151	2,00		
0041	S	GUGO01003		JOINT SPI 30X 55X 7 NBR70	1,00		
0042	S	GUGO01042		O-RING D. 34.6 X 1.78 NBR 70SH	3,00		
0043	S	PVVR00977		BAGUE P.GARNIT.W151	3,00		
0044	S	GUVR00981		BAGUE D'ETANCH.W151	3,00		



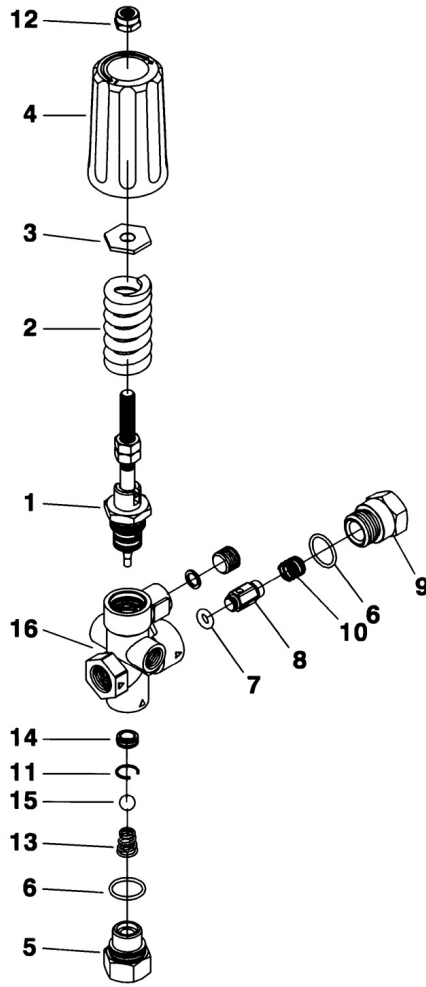
Ref.	K	Part N.	Customer Part N.	Description	Qty	Validity:	
						From	To
0045	S	PVVR00985		BAGUE DE TETE W151	3,00		
0046	S	PVVR34589		BAGUE INTERMED.W 151 D. 20	3,00		
0047	S	GUVR34587		BAGUE D'ETANCH.D. 20 RESTOP	3,00		
0051		RCDS01091		BOUCHON 1/2X10 M	1,00		
0052		VTRS01075		RONDELLE D.21,5X27 ALL	1,00		
0053		RCDS01090		BOUCHON 3/8X13 M WW90	1,00		
0054		VTRS01074		RONDELLE D.17,5X23 X1,5	1,00		
0056	S	GUVR34585		BAGUE D'ETANCH.W 151 L.P.	3,00		



Ref. Part N.	Cust. Part N.	Description	Reference
KTRI14900	KIT P	3	0041
KTRI14901	KIT P	10	0042 0043
KTRI17793	KIT P	6	0031 0034 0036 0037 0038
KTRI17795	KIT P	4	0009 0010
KTRI17859	KIT P	1	0011
KTRI17860	KIT P	2	0016
KTRI18574	KIT P	7	0045
KTRI18579	KIT P	28	0042 0043 0044 0045 0046 0047 0056



Ref. K	Part N.	Customer Part N.	Description	Qty	Validity:	
					From	To
0001	PVVR46049		RACCORD MV 550 CP.	1,00		
0002	MLML46050		RESSORT 250 BAR	1,00		
0003	PVVR46051		PLAT MV 550	1,00		
0004	PVVR60860		POIGNEE MV 550	1,00		
0005	PVVR46052		RACCORD MV 550	1,00		
0006	S GUGO01058		O-RING D. 17.17 X 1.78 NBR 70SH	2,00		
0007	S GUGO46053		O-RING D. 6 X 3 NBR 90SH	1,00		
0008	S PVVR46054		AIGUILLE MV 550	1,00		
0009	PVVR46055		RACCORD MV 550	1,00		
0010	S MLML46056		RESSORT D. 6 X11.5X0.8	1,00		
0011	S PVVR46057		BAGUE D'ARRET MV 550	1,00		
0012	VTDD00492		ECROU M 8 ZINC	1,00		
0013	S MLML46058		RESSORT D. 5	1,00		
0014	S PVVR46059		SIEGE BILLE D.7 MV 550 + OR	1,00		
0015	S SFVR06779		BILLE INOX 11/32	1,00		
0016	PVVR46060		CORPS VALVE MV 550	1,00		



Ref. Part N.	Cust. Part N.	Description	Reference
KTRI46064		KIT P 14- 54	0006 0007 0010 0013 0015
KTRI46065		KIT P 14- 55	0011 0014