

# PARTS LIST

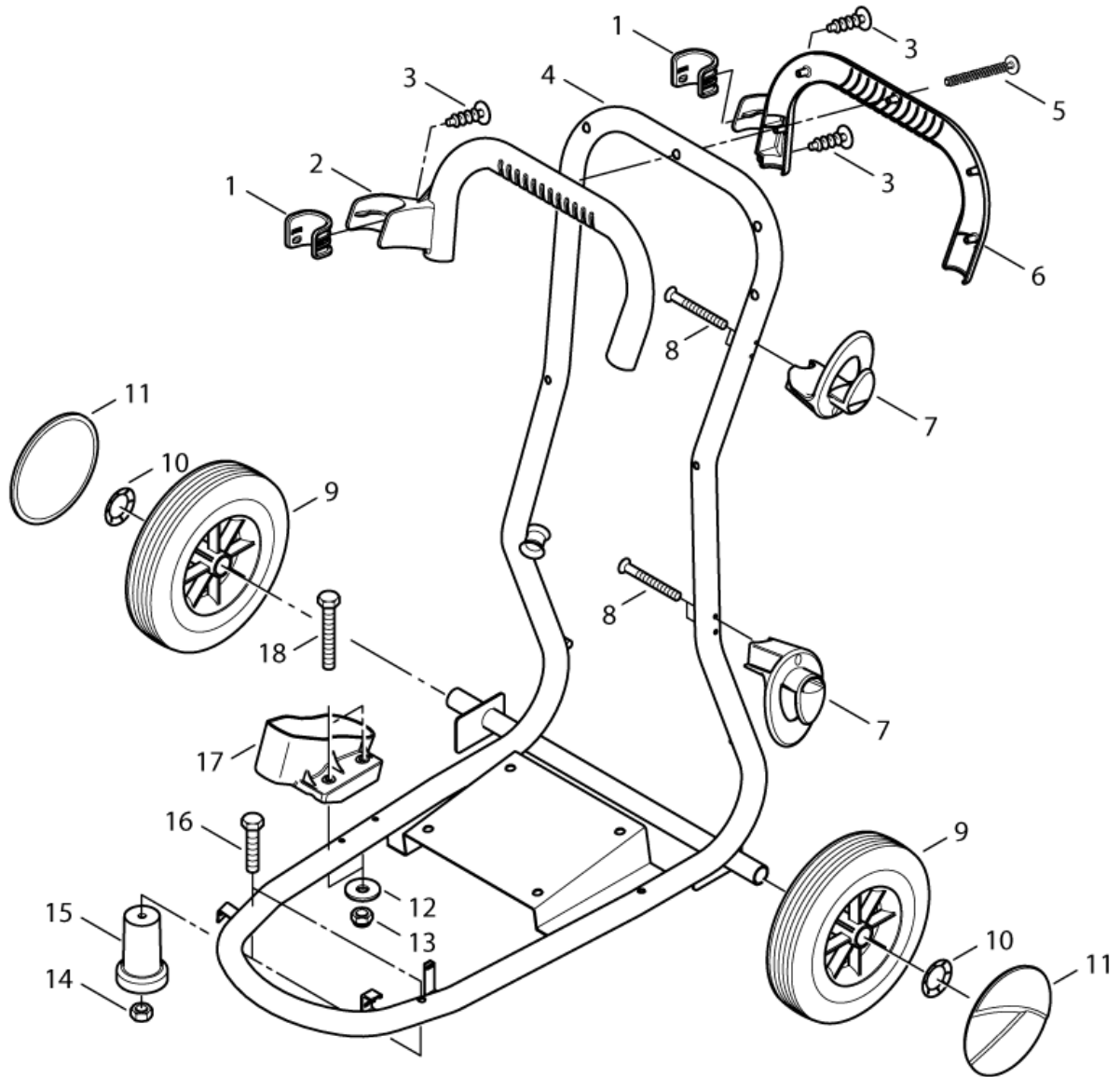


2019.04.30

# TABLE OF CONTENTS

---

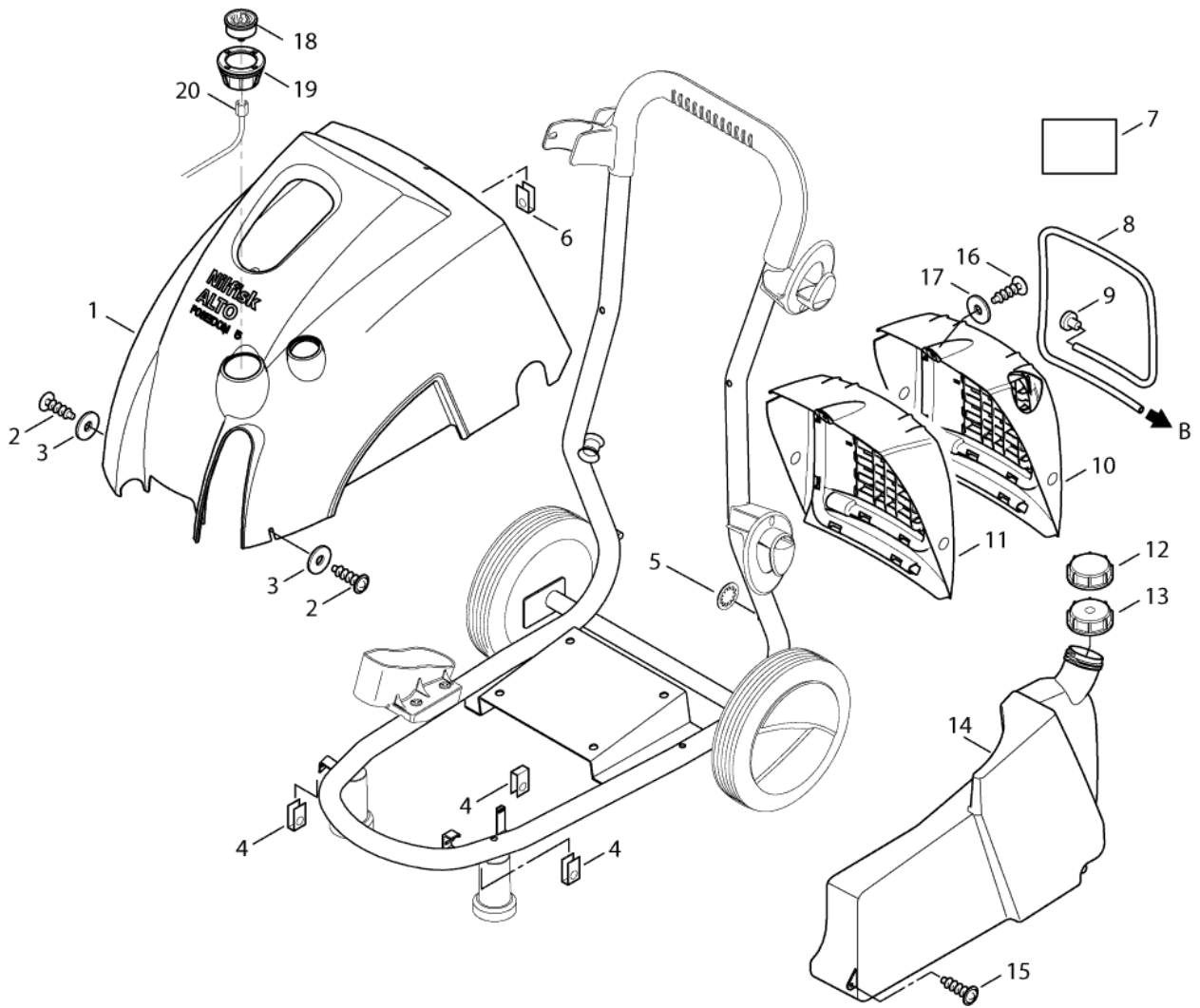
Frame .....	1
Cabinet.....	3
Electric box.....	5
Motor.....	9
Unloader.....	12
Cylinder block.....	14
301001310 - Hose reel old POSEIDON 5.....	16
Default accessories.....	18
Recommended spare parts.....	20



Pos.	Réf article	Qté	Désignation	Notes
01	101117995	2	INSERT	[1]
02	101117962	1	MONTURE DE POIGNÉE	
03	909100147	3	VIS M 4 X 12MM	[1]
04	301002896	1	BASE FRAME POSEIDON 5 VERSION A	[1]
05	909100187	5	VIS K40X25 T20	[1]
06	101117963	1	MONTURE DE POIGNÉE	
07	301000808	2	SUPPORT	
08	909100149	4	VIS K50X50	
09	301000989	2	ROUE	
10	1813799	2	CIRCLIP	
11	301001076	2	ENJOLIVEUR D180	
12	2766	2	RONDELLE 6,4X1,6	
13	11619	2	ECROU M6 - 8 A2K DIN985	
14	61467	2	ECROU HEX M8	
15	301000979	2	PIED SUPPORT	
16	2756	2	VIS M8X45	
17	301000774	1	FOURREAU	
18	17749	2	VIS M6X45	[1]

Part Notes:

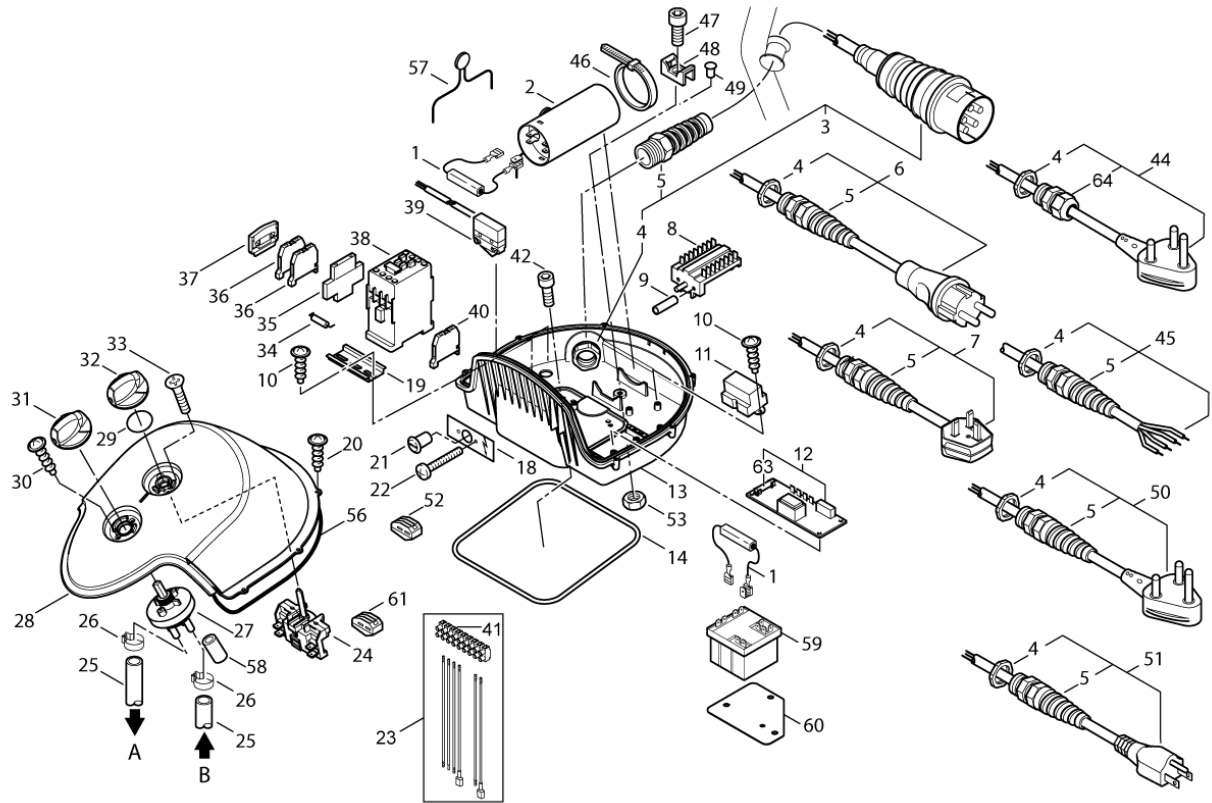
[1] - STOCK COVERS GUARANTEE



Pos.	Réf article	Qté	Désignation	Notes
01	301003166	1	CAPOT BLEU POSEIDON 5 100150PP	[1]
02	40107	2	VIS 4,8X13	[1]
03	2763	2	RONDELLE 53X1	
04	63946	3	ECROU 4.8X3 MM	
05	5639	1	FIXATION RAPIDE	[1]
06	909100161	1	ENTRETOISE 3.9X2.5-2.9	[1]
07	48083	1	ETIQUETTE 40X60	[1]
08	106408243	1	TUBE TRANSPARENT DE 5M 1/4INCH	
09	6400240	1	CRÉPINE D'ASPIRATION	
10	301000759	1	CAPOT ARRIERE	[2]
11	301000838	1	CAPOT ARRIERE	[3]
12	80493	1	COUVERCLE	
13	107140889	1	CLOSING CAP WITH D10 HOLE	
14	301002931	1	RESERVOIR A PRODUIT	[1]
15	40107	1	VIS 4,8X13	[1]
16	30776	1	VIS TOLE	[1]
17	24353	1	RONDELLE	[1]
18	6528559	1	MANOMÈTRE	
19	101117690	1	LOGEMENT POUR MANOMETRE	[1]
20	107144028	1	TUBE HP DE MANOMETRE	

Part Notes:

- [1] - STOCK COVERS GUARANTEE
- [2] - ON MODELS WITH HOSE REEL  
STOCK COVERS GUARANTEE
- [3] - ON MODELS WITHOUT HOSE REEL  
STOCK COVERS GUARANTEE



Pos.	Réf article	Qté	Désignation	Notes
1	301000402	1	RÉSISTANCE 15 KΩ	[1]
2	301001056	1	CONDENSATEUR 98 μF	[1]
3	301000834	1	CÂBLE D'ALIMENTATION EUROPA	[2]
4	909100020	1	HEXAGON THIN NUT M25X1.5 EN 50262 PA	[3]
4	909100019	1	ECROU M20X1.5	
5	909100198	1	SCREWED CABLE GLAND M25X1.5	[3]
5	909100043	1	RACCORD À VIS POUR CÂBLES	
6	301000829	2	CÂBLE D'ALIMENTATION EUROPA	[4]
7	301000912	1	CÂBLE D'ALIMENTATION GB	[5]
8	301000293	1	BORNIER - ETOILE/TRIANGLE	[6]
8	64579	1	COMMUTATEUR Y/16A	[7]
9	64581	2	TUYAU D10 X D4 X 20	[8]
10	909100046	2	VIS KA40X8	
11	11060	1	RELAIS	[9]
12	301001104	1	PLATINE À CIRCUIT IMPRIMÉ	[10]
13	301002899	1	EL-BOX BASE	[11]
14	101406054	1	JOINT	
18	64787	1	LABEL 220-440V CHANGE-OVER 74X28	[12]
18	64586	1	AUTOCOLLANT	[7]
19	22290	1	PROFILÉ SUPPORT 1 M	
20	1814585	6	VIS K30X12	
21	64580	1	BOUTON TOURNANT	[13]
22	40045	2	VIS M4X30	[11]
23	101117856	1	CABLE MOTEUR POSEIDON 9-WIRE 3PH 1.5MM2	[14]
23	101117858	1	POSEIDON MOTOR CABLE 9-WIRE 3 PH 2.5MM2	[15]
23	101117857	1	POS. MOTOR CABLE 9-WIRE 3PH 1.5MM2 NO	[11]
23	101117855	1	CABLE MOTEUR 7 POLES 1PH 1.5MM2	[16]
24	301001058	1	INTERRUPTEUR 0-1 10A 400VAC	
25	106408243	1	TUBE TRANSPARENT DE 5M 1/4INCH	
26	301001133	2	COLLIER D10/7	
27	301001000	1	VANNE DETERGENT	
28	301000767	1	COUVERCLE BOITIER ELECT.	[11]
29	9868	1	JOINT TORIQUE 10.2X2.5 NBR 70	
30	1814730	2	VIS	
31	909100214	1	BOUTON TOURNANT BLEU	
32	909100204	1	BOUTON TOURNANT 6X5 BLUE	
33	18274	2	VIS TETE FRAISEE M4X12	
34	301000074	1	RESISTANCE 470 OHM 3W	
35	101118041	1	ANDELI LA8-DN11 SIDE MOUNT AUX CONTACT	[17]
35	64773	1	CONTACT AUXILIAIRE 100-SBL11	
36	301000687	2	BORNIER	[1]
37	301000689	1	PLAQUE	[9]
38	103822304	1	CONTACTEUR CJX2-D18 18A 230V 3P+NO	[18]
38	63910	1	CONTACTEUR ÉLECTROMAGNÉTIQUE 100-C23KF10	[19]
38	103822310	1	CONTACTOR CJX2-D25-M7 220V 50/60HZ	[20]
38	103822315	1	CONTACTOR CJX2-D32 32A 220V 3P+NO	[21]
38	63915	1	CONTACTEUR ÉLECTROMAGNÉTIQUE 100-C30KF10	[22]
38	103822311	1	CONTACTOR CJX2-D25-F7 110V	[23]
38	103822303	1	CONTACTEUR CJX2-D18 18A 400V 3P+NO	[24]
39	301000952	1	INTERRUPTEUR	[25]
39	101118011	1	INTERRUPTEUR	[26]
40	14506	1	6IRE TERMINAL 10QMM	[27]
40	3817483	1	BORNIER	
41	101117839	1	BORNIER	
42	10369	4	VIS M5X25	[27]
42	32535	4	VIS M5X16 ISO4762	[28]
44	301000407	1	POWER CORD SJOW AWG10/3X9.0	[29]
45	301001384	1	POWER CORD VCT 4X3.5X10,8M W/O PLUG AEH	[30]
45	301000833	1	FIL ÉLECTRIQUE	[8]

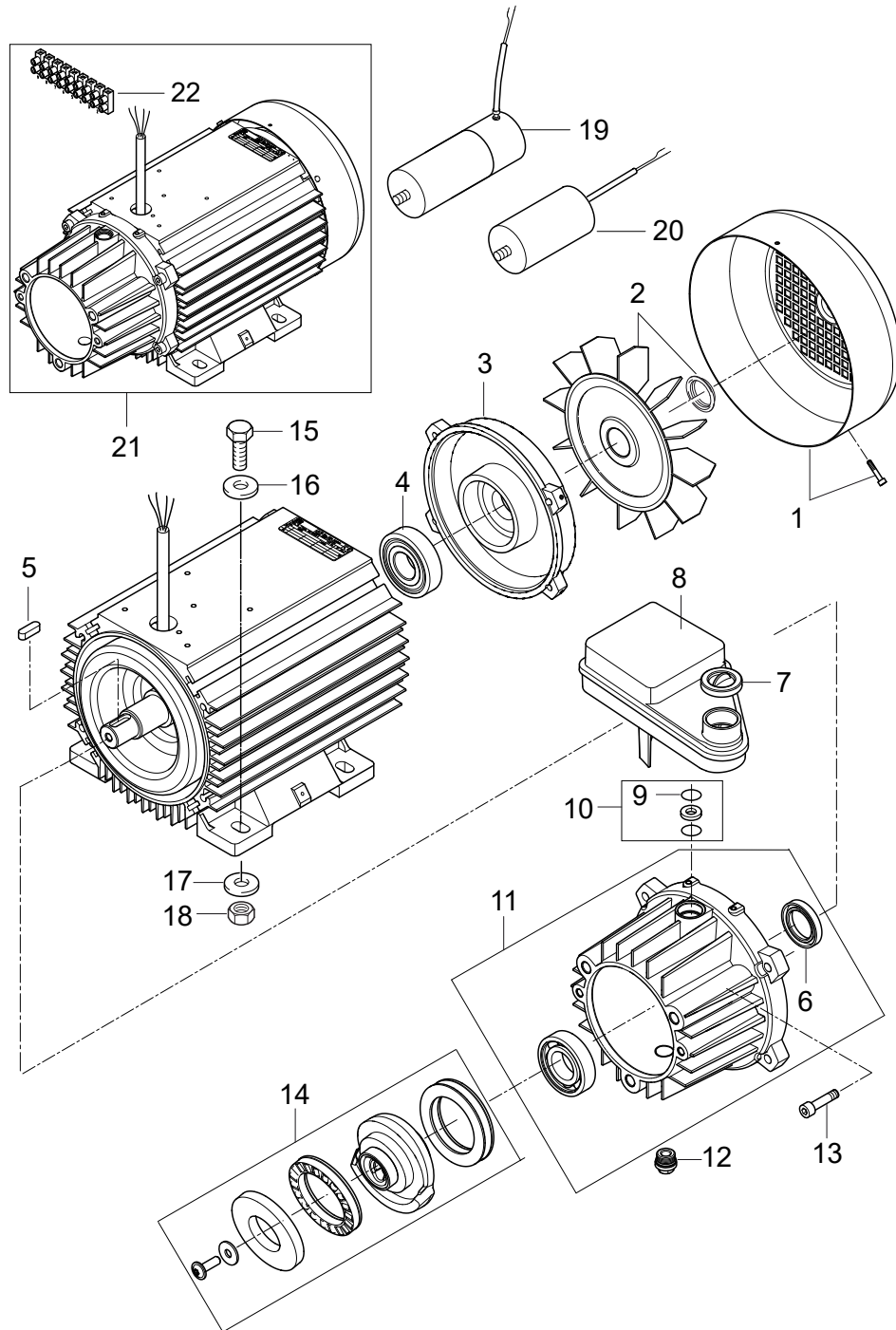


Pos.	Réf article	Qté	Désignation	Notes
45	301001466	1	POWER CORD SJOW AWG12/4X11	[31]
46	15884	1	COLLIER 4.7X1.3X350	[1]
47	3288	1	VIS M4X8	[1]
48	1814621	1	GUIDE SUPPORT	[32]
49	301001219	1	PLUG D6XD8X5.4 PE BLACK	[28]
50	301001390	1	POWER CORD H07RN-F 3G1.5X6.0 SABS164	[33]
51	3821316	1	POWER CORD AWG12/3X11 SJTOW	[34]
52	301001229	1	CONNECTEUR GRIP GRIS 3X4QMM 400V 24A	[35]
53	15319	1	HEXAGON NUT M4	[9]
54	1804699	1	SCREW M5 X 6 ISO 7045 ZN	[11]
55	3376	1	RONDELLE FREIN D 5	
56	101406054	1	JOINT	
57	301002353	1	LIMITEUR DE COURANT DE DÉMARRAGE	[1]
58	301001906	2	CAPUCHON	
59	107140968	1	RELAIS DE DEMARRAGE RVAH4AH0C	[36]
59	101117996	1	RELAIS DE DEMARRAGE RVA 4N3D	[37]
61	301002165	1	BORNIER WAGO 5 POLES 222-415	[38]
62	107140150	1	FITTING FOR STARTER RELAY POSEIDON 5	[11]
63	301000263	1	FUSIBLE	
64	107141571	1	CABLE GLAND KIT	[11]

## Part Notes:

- [1] - 5-32, 5-52  
 [2] - 400/3/50 \*EU\*  
 [3] - 5-47, 5-52, 5-59  
 [4] - 230/1/50 \*EU\*, 220/1/60\*TW\*KR\*  
 STOCK COVERS GUARANTEE  
 [5] - 230/1/50 \*GB\*  
 [6] - 220/440/3/60 \*US\*KR\*TW\*  
 [7] - 230/400/3/50 \*BE\*NO\*  
 [8] - STOCK COVERS GUARANTEE
- 5-32, 5-47, 5-52, 5-55\*KR\*TW\*, 5-59, 5-61\*KR\*TW\*, DSS
- [9] - 5-32  
 [10] - 5-32, 5-47, 5-52, 5-55\*KR\*TW\*, 5-59, 5-61\*KR\*TW\*, DSS  
 [11] - STOCK COVERS GUARANTEE  
 [12] - 220/440/3/60\*US\*KR\*TW\*  
 STOCK COVERS GUARANTEE  
 [13] - TSB-PPW-2016-007 Rotary knob for Voltage selector switch 230V-400V must be sealed with lacquer  
 DE TSB-PPW-2016-007 Drehknopf des Spannungsauswahlschalters 230V-400V muss mit Lack versiegelt werden  
 [14] - 400/3/50  
 STOCK COVERS GUARANTEE  
 [15] - 200/3/50,60, 220/1/60\*US\*  
 STOCK COVERS GUARANTEE  
 [16] - 230/1/50,60, 120/1/60  
 STOCK COVERS GUARANTEE  
 [17] - ANDELI  
 STOCK COVERS GUARANTEE  
 [18] - 220,230/1/50,60  
 [19] - 230-400V 50Hz  
 [20] - 200/3/50,60  
 [21] - 220/1/60  
 STOCK COVERS GUARANTEE  
 [22] - 440-220V 60Hz  
 [23] - 120/1/60  
 [24] - 400/3/50  
 [25] - WITH, MIT ELECTRONICS  
 [26] - WITHOUT, OHNE ELECTRONICS  
 [27] - 5-52  
 STOCK COVERS GUARANTEE  
 [28] - 5-43, 5-47, 5-52, 5-55, 5-59, 5-61

- [29] - 220/1/60\*US\*  
STOCK COVERS GUARANTEE
- [30] - 200/3/50,60 \*JP\*
- [31] - 220,460/3/60\*US\*  
GUARANTEE DATE EXPIRED
- [32] - 5-32, 5-52  
STOCK COVERS GUARANTEE
- [33] - 230/1/50\*ZA\*  
NO LONGER AVAILABLE
- [34] - 120/1/60 \*US\*  
STOCK COVERS GUARANTEE
- [35] - 400/3/50, 220/1/60
- [36] - Relay -US
- [37] - UK  
STOCK COVERS GUARANTEE
- [38] - 5-52

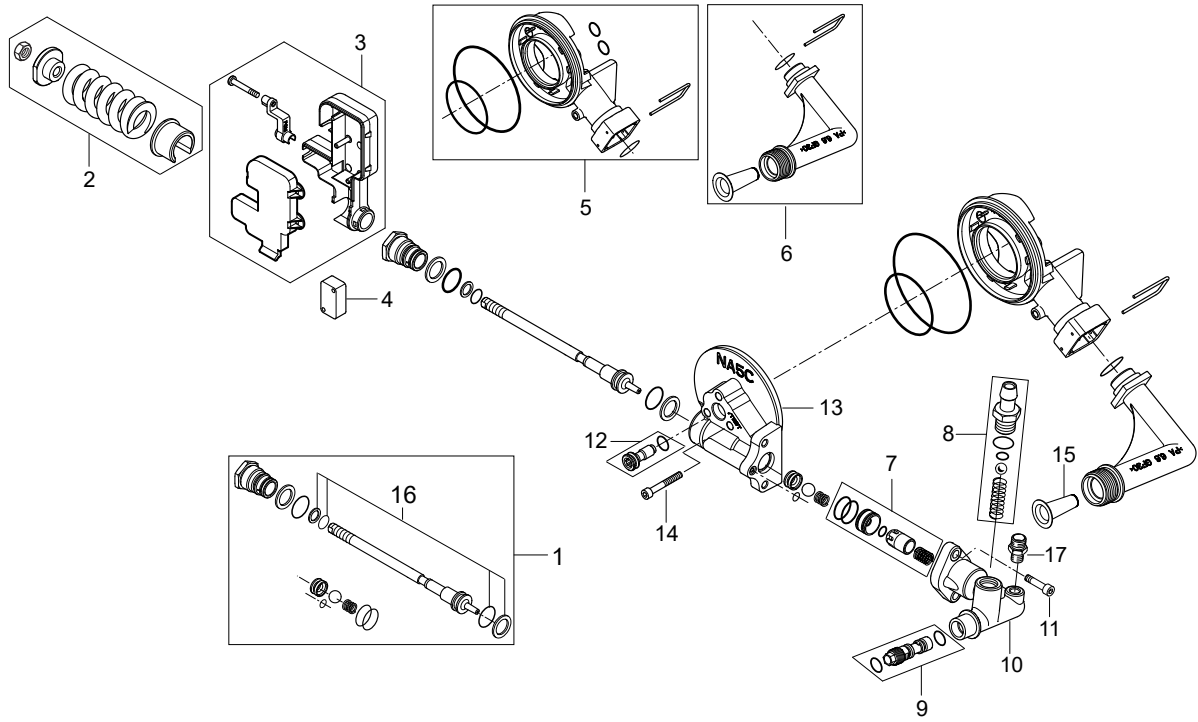


Pos.	Réf article	Qté	Désignation	Notes
	31001229	1	OIL ISO 150 ALPHASYN-T 20L	
0	5218433	1	HUILE ALPHASYN T150	[1]
0	107144146	1	HUILE DE POMPE NA5 1 LITR	[2]
0	107141950	1	M/P POS 5-61 400V/50HZ	
1	107144126	1	BAGUE DE VENTILATEUR	[3]
1	107144127	1	COUVERCLE DE PROTECTION D HELICE	[4]
2	107144124	1	HELICE AVEC BAGUE DE BLOCAGE EME	[5]
2	107144125	1	VENTILATEUR	[3]
3	31000148	1	COUVERCLE DE ROULEMENT	[3]
3	31000150	1	FLASQUE ARRIERE MOTEUR EME	[5]
4	31000149	1	ROULEMENT ARRIERE DE POMPE RF	[3]
4	31000151	1	ROULEMENT	[5]
5	19639	1	CLAVETTE VILEBREQUIN	
6	G120414	1	BAGUE D'ÉTANCHÉITÉ 30X47X7	
7	301003168	1	BOUCHON DE RESERVOIR FUEL	[6]
8	301002932	1	RESERVOIR HUILE POSEID. 5	
9	3004221	1	JOINT TORIQUE D16X2.0	
10	101117818	1	KIT REARATION RESERVOIR	
11	107141967	1	KIT COUVERCLE POMPE AVEC ROULEMENT NA5.2	
12	107141982	1	BOUCHON DE VIDANGE AIMANTE NA 5.2	
13	107144142	1	KIT VIS DE POMPE NA5	[7]
14	101118246	1	KIT ROULEMENTS DISQ.OBLIQ.8.4 DEG.NA5.2	[8]
14	107144121	1	KIT DISQUE INCLINE 11.1 DEG.	[9]
14	107144122	1	KIT DISQUE INCLINE 9.7 DEG.	[10]
14	101118241	1	KIT ROULEMENTS DISQ.OBLIQUE 12 DEG.NA5.2	[11]
14	101118244	1	KIT ROULEMENTS DISQ.OBLIQ.9.85 DEG.NA5.2	[12]
14	101118243	1	KIT ROULEMENTS DISQ.OBLIQ.10.2 DEG.NA5.2	[13]
14	101118247	1	KIT ROULEMENTS DISQ.OBLIQ.8.7 DEG.NA5.2	[14]
14	101118249	1	KIT ROULEMENTS DISQ.OBLIQ.7.2 DEG.NA5.2	[15]
14	101118248	1	KIT ROULEMENTS DISQ.OBLIQ.7.74 DEG.NA5.2	[16]
14	101118242	1	KIT ROULEMENTS DISQ.OBLIQ.10.9 DEG.NA5.2	[17]
14	101118245	1	KIT ROULEMENTS DISQ.OBLIQ.9.5 DEG.NA5.2	[18]
14A	107141990	1	WOBBLE DISC 7.74 DEG. NA5.2	
15	1801133	4	SCREW M10X25 ISO4017 ZN	
16	4827	4	RONDELLE HOME CLEANER	
17	2767	4	RONDELLE 10.5X2	
18	8952	4	ECROU M10 ISO 10511	
19	101118003	2	KIT CONDENSATEUR 100µF	[19]
20	301001465	1	CAPACITOR	[20]
20	301001017	1	CONDENSATEUR 60 µF	[21]
20	101118002	2	CONDENSATEUR 70µF	[19]
21	107141978	1	MOTEUR 6.7 KW 220-400/440/3 50/60HZ - EU	[22]
21	107144148	1	MOTOR 4 KW/200/3 50/60HZ NA5 JP	[23]
21	107141981	1	MOTEUR 2.2KW/230/1/50 HZ NA5.2	[21]
21	107144132	1	MOTOR 5.2KW/230/1/60 HZ NA5 RES	[20]
21	107141979	1	MOTEUR 5.5 KW 220/230/400/440/3/50/60 EU	[24]
21	107141980	1	MOTEUR 4KW 230/400/220/440 3/50/60 NA5.2	[25]
22	101117839	1	BORNIER	

Part Notes:

- [1] - P5-31 UK (0.65 l)
- [2] - (0,6 l)
- [3] - RF – has Nilfisk letter on the motor type plate
- [4] - STOCK COVERS GUARANTEE
- EME – has EME letter on the motor type plate
- [5] - EME – has EME letter on the motor type plate
- [6] - STOCK COVERS GUARANTEE
- [7] - contains hardware for one pump

- [8] - 5-47 4kW 200/3/60 - 5-31 2,6kW 230/1/20
- [9] - PRUNED-NO REPLACEMENT
- [10] - 5-52 230/1/60Hz  
STOCK COVERS GUARANTEE
- [11] - 5-61 6,7kW/230-400/3/50Hz
- [12] - 5-61 6,7kW 220-440/3/60Hz
- [13] - 5-59 6,7kW/220-440/3/60Hz USA - 5-47 200/3/50Hz JP
- [14] - 5-41 4kW 230/400/3/50Hz
- [15] - 5-41 4kW 220-440/3/60Hz
- [16] - 5-32 230/1/50, 5-52 5,2kW 220/1/60Hz USA
- [17] - 5-55 5,5kW 230-400/3/50 - 5-61 6,7kW 400/3/60
- [18] - 5-55 5,5kW 220-440/3/60Hz
- [19] - UK
- [20] - 5-52  
STOCK COVERS GUARANTEE
- [21] - 5-31
- [22] - 5-61
- [23] - 5-47 3x200V 60Hz, JP  
STOCK COVERS GUARANTEE
- [24] - 5-55
- [25] - 5-41, 5-47



Pos.	Réf article	Qté	Désignation	Notes
1	107144105	1	KIT BY-PASS HP	
1	107144147	1	KIT BY-PASS CPLT	[1]
2	107144106	1	RESSORT BY-PASS HP	
3	107144145	1	KIT MICRO SWITCH	
4	301002754	1	MICRO-SWITCH M/A HP	
4	101118011	1	INTERRUPTEUR	[2]
5	107144109	1	CULASSE ADMISSION EAU	[3]
6	107144110	1	RACCORD ADMISSION EAU CPL	
7	107144107	1	KIT CLAPET ANTI RETOUR	
8	1119406	1	SOUPAPE ANTIRETOUR	
9	107144112	1	INJECTEUR	
10	107144136	1	RACCORD SORTIE HP	
11	107144142	1	KIT VIS DE POMPE NA5	[4]
12	107144137	1	BOUCHON	
13	107144138	1	CULASSE NA 5	
14	107144142	1	KIT VIS DE POMPE NA5	[4]
15	101117926	1	FILTRE	
16	107144149	1	KIT JOINTS BY-PASS NA5	
17	107312045	1	RACCORD M 8 X D6 MM	
18	64235	1	PIÈCE DE RACCORDEMENT	

Part Notes:

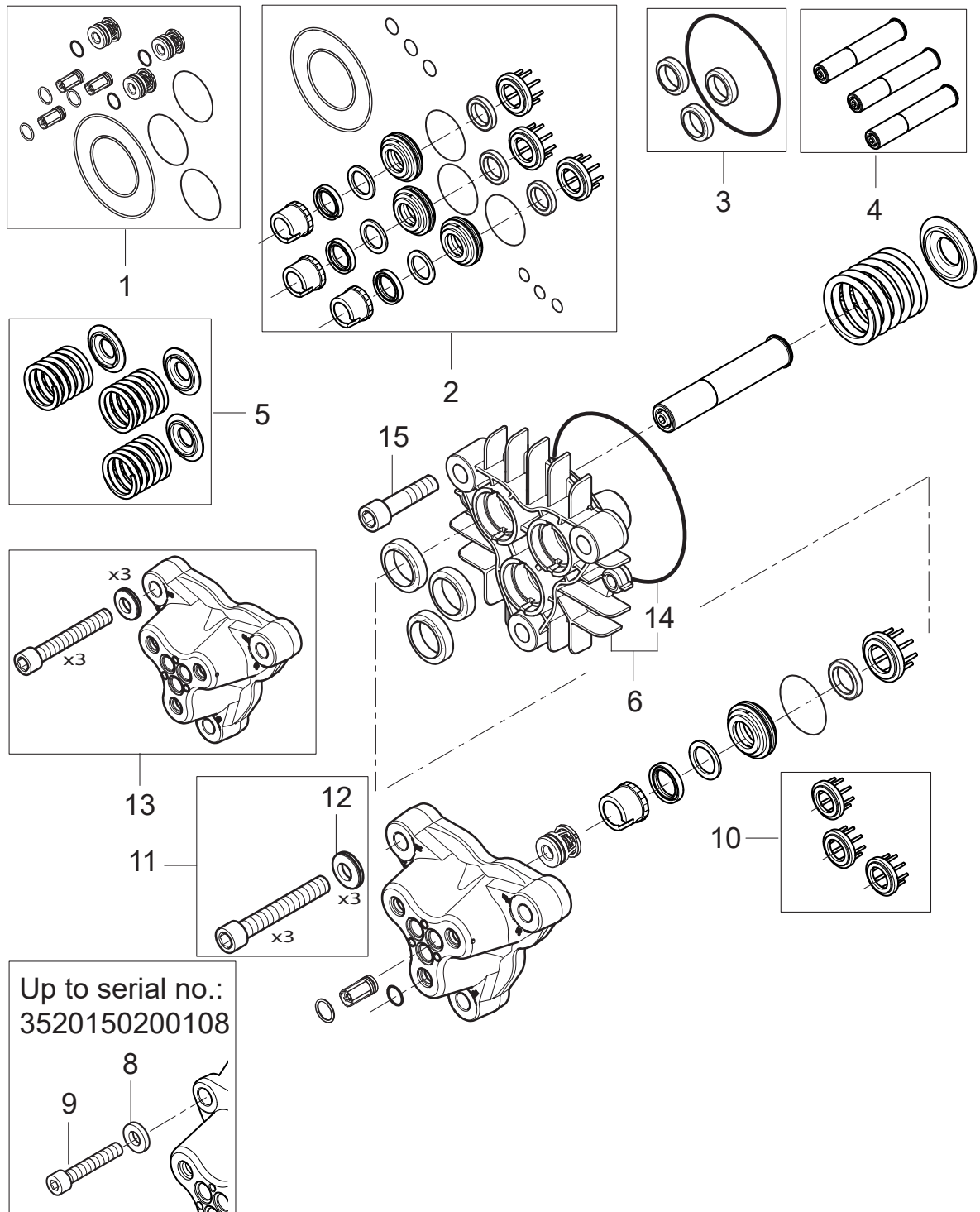
- [1] - For POSEIDON 5 DSS
- [2] - 5-63
- [3] - TSB-PPW-2015-003 Water Inlet, 101117929 and 107144109 for NA5 pumps does not fit on NA5.2 pump
- [4] - contains hardware for one pump

3x Screw HX M6 x 45 ISO 4762

2x CYLINDRICAL SCREW M6 X 18

2x Screw M8x40ISO47628.8zn

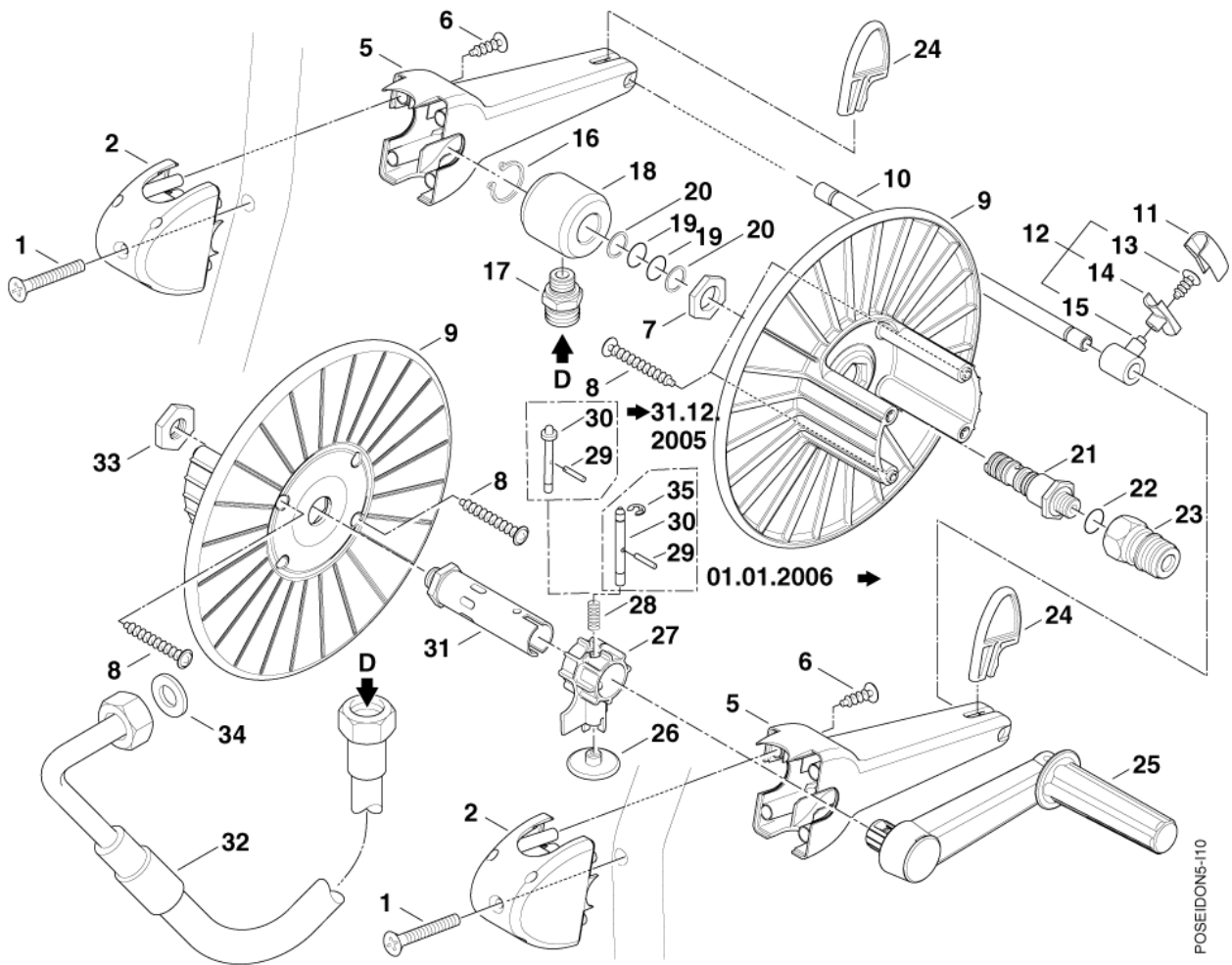
4x SCREW M8X35 ISO 4017





---

Pos.	Réf article	Qté	Désignation	Notes
1	107144100	1	KIT CLAPETS NA 5	
2	101118097	1	KIT JOINTS	
3	107144102	1	JEU DE JOINTS DE PISTONS	
4	101118239	1	KIT PISTONS NA5.2	
5	107144104	1	JEU DE PIÈCES DE RESSORT	
6	107141983	1	CULASSE NUE	
8	107141727	3	RONDELLE 20X13X2 ISO7092	
9	107141513	3	VIS M12X65 12.9	
10	107140919	1	SUPPORT DE JOINT NA5	
11	107141968	1	VIS DE CULASSE M12X80 AVEC RONDELLE	
12	107141969	3	RONDELLE NLX 12SP 12.5X19.5X3.5MM	
13	107141985	1	CULASSE NA 5.2 AVEC VIS ET RONDELLES	



Pos.	Réf article	Qté	Désignation	Notes
00	301001310	1	KIT ENROULEUR POSEIDON 5	
1		2	Screw M6x65	
2	301000809	2	SUPPORT	
5	301000929	2	SUPPORT	
6	1814641	4	VIS K50X30	
7	62696	1	ECROU HEX M24X1.5X6	
8	909100153	4	VIS K60X40	
9	301000775	2	TAMBOUR D'ENROULEMENT	
10	107140355	1	AXE	
11	301000674	1	GUIDE DE FLEXIBLE	
12	301000780	1	GUIDE DE FLEXIBLE	
13	10028	1	VIS KA50X14	
14	301000676	1	GUIDE DE FLEXIBLE	
15	301000672	1	SUPPORT	
16	1802057	1	ANNEAU SEEGER 20X1.0	
17	54590	1	RACCORD	
18	301000977	1	COUSSINET	
19	19620	2	JOINT TORIQUE 15.0 X2.65	
20	63792	2	BAGUE - D16.26X2.18	
21	301000976	1	VIS CREUSE	
22	1801075	1	ANNEAU DE JOINT	
23	1600493	1	RACCORD RAPIDE MALE HP EN 3/8	
24	301000927	2	SUPPORT	
25	301000733	1	MANIVELLE	
26	909100362	1	BOUCHON	
27	301001010	1	CORPS	
28	909100151	1	RESSORT	
29	16067	1	GOUPILLE	
30	301001009	1	BOULON	
31	301001007	1	AXE	
32	301001092	1	FLEXIBLE HAUTE PRESSION DN 8, 1,2 M	
33	909100145	1	ÉCROU	
34	65466	1	JOINT CUIVRE 8X15X1 DIN7603 A	
35	1806538	1	LOCK WASHER	



Pos.	Réf article	Qté	Désignation	Notes
0-	106403123	1	PISTOLET ERGO 2000 VARIO PRESS	[1]
0-	106403122	1	PISTOLET ERGO 2000 STANDARD	[2]
00	301001100	1	FLEXIBLE HP 15M DN8 2X3/8M+ERGO FEMELLE	[3]
00	101405770	1	FLEXIBLE HP 10M DN8 2X3/8M+ERGO FEMELLE	[4]
00	101119484	1	RACCORD TOURNANT ERGO	[5]
1	106402291	1	LANCE TURBOHAMMER PLUS L113 W11 0500	[6]
1	106402292	1	LANCE TURBOHAMMER PLUS L113 W11 0550	[7]
1	106403010	1	LANCE TORNADO PLUS COURBEE L112	[8]
2	101119741	1	BUSE TORNADO PLUS 0500	[9]
2	101119743	1	BUSE TORNADO PLUS 0550	[10]
2	101119738	1	BUSE TORNADO PLUS 0400	[11]
2	101119742	1	BUSE TORNADO PLUS 0530	[12]
2	101119749	1	BUSE TORNADO PLUS 0750	[13]
3	301001310	1	KIT ENROULEUR POSEIDON 5	[3]

## Part Notes:

- [1] - ERGO 2000 VP Spray handle  
5-41, 5-55, 5-61
- [2] - ERGO 2000 Spray handle
- [3] - 5-31XT, 5-32XT, 5-41XT, 5-55XT, 5-61XT, 5-63XT
- [4] - 5-31, 5-32, 5-41, 5-47, 5-55, 5-61
- [5] - 5-41, 5-47, 5-55, 5-61
- [6] - 5-41XT, 5-55XT  
TURBOHAMMER PLUS lance
- [7] - TURBOHAMMER PLUS lance
- [8] - TORNADO PLUS lance
- [9] - 5-47, 5-55
- [10] - 5-31, 5-32
- [11] - 5-41 5-41
- [12] - 5-61
- [13] - 5-63



Pos.	Réf article	Qté	Désignation	Notes
0A	107144102	1	JEU DE JOINTS DE PISTONS	[1]
0A	101117818	1	KIT REARATION RESERVOIR	[1]
0A	107144100	1	KIT CLAPETS NA 5	[1]
0A	101117926	1	FILTRE	[1]
0A	3004221	1	JOINT TORIQUE D16X2.0	[1]
0A	101118097	1	KIT JOINTS	[1]
0B	101118239	1	KIT PISTONS NA5.2	[2]
0B	107144147	1	KIT BY-PASS CPLT	[2]
0B	107144105	1	KIT BY-PASS HP	[2]
0B	107144112	1	INJECTEUR	[2]
0B	107144104	1	JEU DE PIÈCES DE RESSORT	[2]
0C	107144109	1	CULASSE ADMISSION EAU	[3]
0C	301001056	1	CONDENSATEUR 98 µF	[3]
0C	107141978	1	MOTEUR 6.7 KW 220-400/440/3 50/60HZ - EU	[3]
0C	107144122	1	KIT DISQUE INCLINE 9.7 DEG.	[4]
0C	107141980	1	MOTEUR 4KW 230/400/220/440 3/50/60 NA5.2	[3]
0C	301000074	1	RESISTANCE 470 OHM 3W	[3]
0C	64773	1	CONTACT AUXILIAIRE 100-SBL11	[3]
0C	101118242	1	KIT ROULEMENTS DISQ.OBLIQ.10.9 DEG.NA5.2	[3]
0C	101118249	1	KIT ROULEMENTS DISQ.OBLIQ.7.2 DEG.NA5.2	[3]
0C	101118248	1	KIT ROULEMENTS DISQ.OBLIQ.7.74 DEG.NA5.2	[3]
0C	101118244	1	KIT ROULEMENTS DISQ.OBLIQ.9.85 DEG.NA5.2	[3]
0C	101118243	1	KIT ROULEMENTS DISQ.OBLIQ.10.2 DEG.NA5.2	[3]
0C	101118246	1	KIT ROULEMENTS DISQ.OBLIQ.8.4 DEG.NA5.2	[3]
0C	101118247	1	KIT ROULEMENTS DISQ.OBLIQ.8.7 DEG.NA5.2	[3]
0C	101118245	1	KIT ROULEMENTS DISQ.OBLIQ.9.5 DEG.NA5.2	[3]
0C	101118241	1	KIT ROULEMENTS DISQ.OBLIQUE 12 DEG.NA5.2	[3]
0C	107144132	1	MOTOR 5.2KW/230/1/60 HZ NA5 RES	[4]
0C	301000952	1	INTERRUPTEUR	[3]
0C	101118011	1	INTERRUPTEUR	[3]
0C	103822303	1	CONTACTEUR CJX2-D18 18A 400V 3P+NO	[3]
0C	301001092	1	FLEXIBLE HAUTE PRESSION DN 8, 1,2 M	[3]
0C	103822315	1	CONTACTOR CJX2-D32 32A 220V 3P+NO	[4]
0C	107141967	1	KIT COUVERCLE POMPE AVEC ROULEMENT NA5.2	[3]
0C	301001465	1	CAPACITOR	[4]
0C	101118002	1	CONDENSATEUR 70µF	[3]
0C	31000149	1	ROULEMENT ARRIERE DE POMPE RF	[3]
0C	301002754	1	MICRO-SWICHT M/A HP	[3]
0C	107144121	1	KIT DISQUE INCLINE 11.1 DEG.	[5]
0C	301002353	1	LIMITEUR DE COURANT DE DÉMARRAGE	[3]
0C	103822304	1	CONTACTEUR CJX2-D18 18A 230V 3P+NO	[3]
0C	107141979	1	MOTEUR 5.5 KW 220/230/400/440/3/50/60 EU	[3]
0C	103822309	1	CONTACTOR CJX2-D25 25A 230V 3P+NO	[3]
0C	301000402	1	RÉSISTANCE 15 KΩ	[3]
0C	1119406	1	SOUPAPE ANTIRETOUR	[3]
0C	107144148	1	MOTOR 4 KW/200/3 50/60HZ NA5 JP	[4]
0C	101118003	1	KIT CONDENSATEUR 100µF	[3]
0C	107144107	1	KIT CLAPET ANTI RETOUR	[3]
0C	101118041	1	ANDELI LA8-DN11 SIDE MOUNT AUX CONTACT	[4]
0C	301001017	1	CONDENSATEUR 60 µF	[3]
0C	31000151	1	ROULEMENT	[3]
0C	107141981	1	MOTEUR 2.2KW/230/1/50 HZ NA5.2	[3]
0C	103822311	1	CONTACTOR CJX2-D25-F7 110V	[3]
0C	107144110	1	RACCORD ADMISSION EAU CPL	[3]
0C	301001104	1	PLATINE À CIRCUIT IMPRIMÉ	[3]
0C	301001058	1	INTERRUPTEUR 0-1 10A 400VAC	[3]
0C	103822310	1	CONTACTOR CJX2-D25-M7 220V 50/60HZ	[3]
0C	11060	1	RELAIS	[3]

Part Notes:

- [1] - A
- [2] - B
- [3] - C
- [4] - C  
STOCK COVERS GUARANTEE
- [5] - C  
PRUNED-NO REPLACEMENT



