



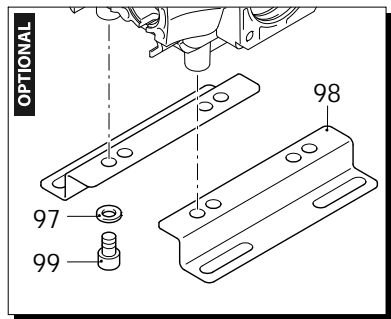
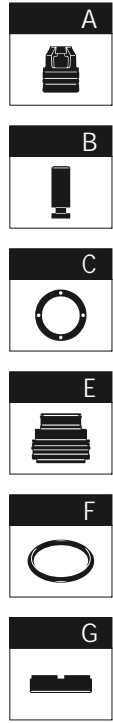
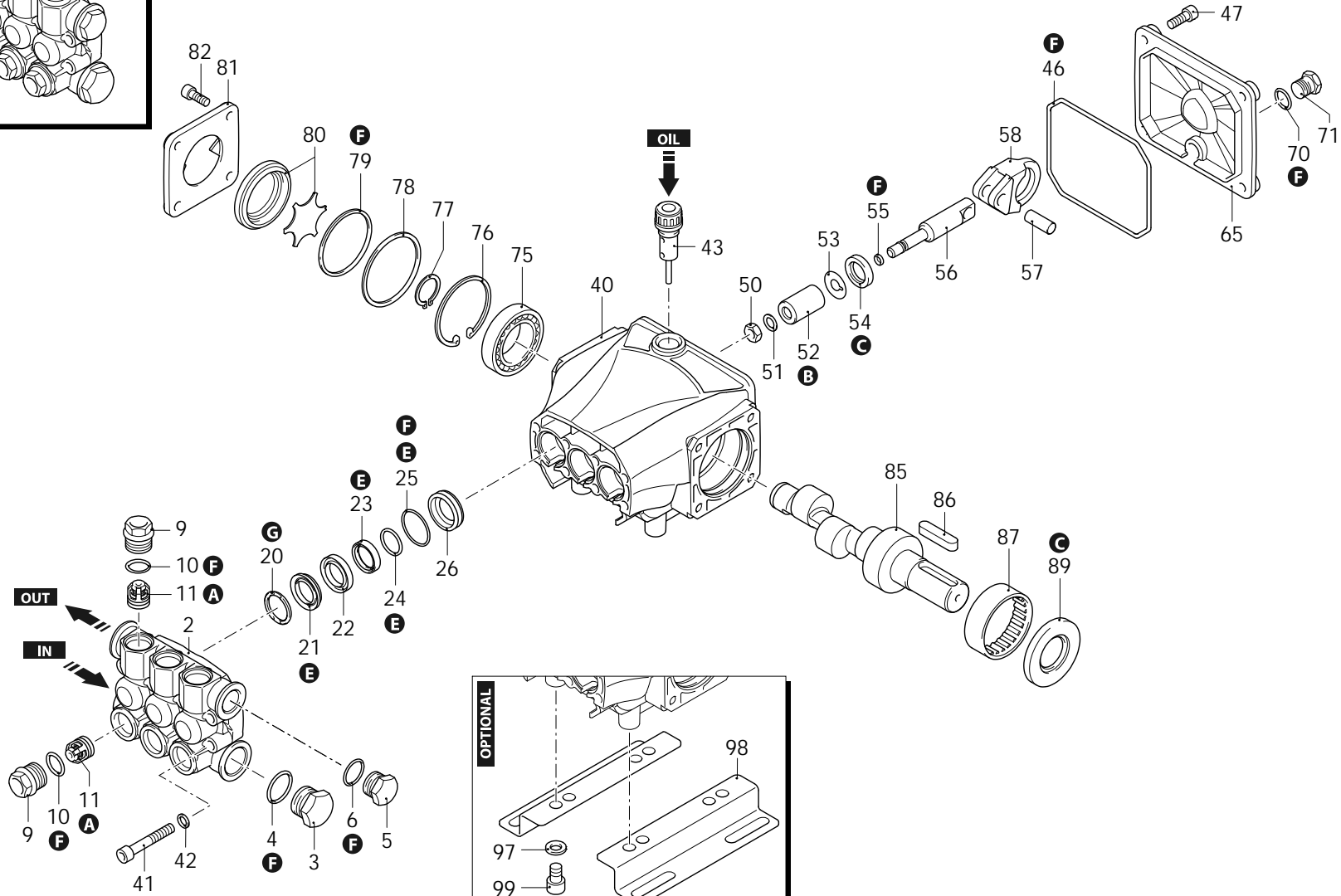
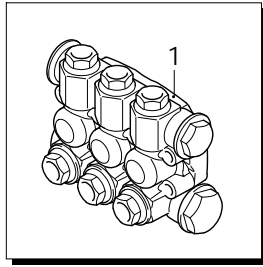
Series 320

RC

N

1450rpm

ø 24mm



AR_s320-02_v01

29/09/2023



Series 320

RC

N

1450rpm

Ø 24mm

P	Code	Description	Q	Note	Validity	P	Code	Description	Q	Note	Validity
1	3209200	Head assembly	1	Ø 18		79	395081	O-ring	1	Ø 47,30x2,62	
2	3200020	Head	1			80	3209615	Oil level assembly	1		
3	820361	Plug	1	1/2" G brass	C=40Nm	81	3200070	Support	1		
4	180101	O-ring	1	Ø 17,5x2	Lubricate with grease Molykote PG54	82	1200430	Screw	4	TCEI M6x16	Screw with Loxeal 55-14 / C=10Nm
5	1980740	Plug	1	3/8" G brass	C=20Nm	85	3200050	Shaft	1	1 marked	
6	740290	O-ring	1	Ø 14x1,78	Lubricate with grease Molykote PG54	86	3200230	Key	1		
9	3200110	Plug	6		Screw with Loxeal 55-14 / C=24,5Nm	87	1321190	Bearing	1		Assemble with tool [1780610]
10	1200690	O-ring	6	Ø 15,6x1,78	Lubricate with grease Molykote PG54	89	1260750	Ring	1	seal	Assemble with tool [1941990]
11	2769050	Complete valve	6			97	1322640	Washer	4		
20	1780140	Ring	3	support Ø 18		98	3200210	Foot	2		
21	1780720	Water seal	3	Ø 18	Lubricate with grease Molykote PG54	99	850250	Screw	4	TCEI M8x12	C=24,5Nm
22	3200130	Piston guide	3	front Ø 18		A	2186	Valve kit	1		
23	3200142	Gasket	3	Ø 18	Lubricate with grease Molykote PG54	B	42467	Piston kit	1	Ø 18	
24	3200260	Ring	3	anti-extrusion		C	42468	Oil seal kit	1		
25	770590	O-ring	3	Ø 21,95x1,78	Lubricate with grease Molykote PG54	E	42469	Water seal kit	1	Ø 18	
26	3200120	Piston guide	3	rear Ø 18		F	42470	Gasket kit	1		
40	3200010	Pump body	1			G	2745	Support ring kit	1	Ø 18	
41	800410	Screw	8	TCEI M6x40	C=10,4Nm						
42	1381550	Washer	8								
43	3201890	Oil plug	1	with oil dipstick							
46	2760280	O-ring	1	Ø 101,27x2,62							
47	3200220	Screw	4	TCEI 6x16	C=8Nm						
50	1260110	Nut	3	M8	Screw with Loxeal 55-14 / C=12Nm						
51	1260100	Washer	3								
52	1260210	Piston	3	Ø 18							
53	1260091	Plate	3								
54	1260460	Oil seal	3								
55	480480	O-ring	3	Ø 4,48x1,78							
56	3200060	Piston	3	guide							
57	1780050	Pin	3								
58	3200040	Connecting-rod	3	aluminium	Lubricate with grease Molykote G807						
65	3200030	Cover	1								
70	820510	O-ring	1	Ø 10,82x1,78							
71	880581	Plug	1	1/4" G brass	Screw with Loxeal 55-14 / C=15Nm						
75	1780490	Bearing	1								
76	1260790	Ring	1	seeger Øi 52							
77	1780550	Ring	1	seeger Øe 20							
78	3201860	Ring	1	Ø 51,8x0,5							

Revision: 1

Oil type: SAE 15W40

Attachment:

Date: 29/09/2023

Oil quantity: 0,260 Kg

C= Tightening torque (Tolerance +0 ÷ -10%)

* = Not present for electric pump

23301 - RC 14.16 N