



IPC Integrated Professional Cleaning

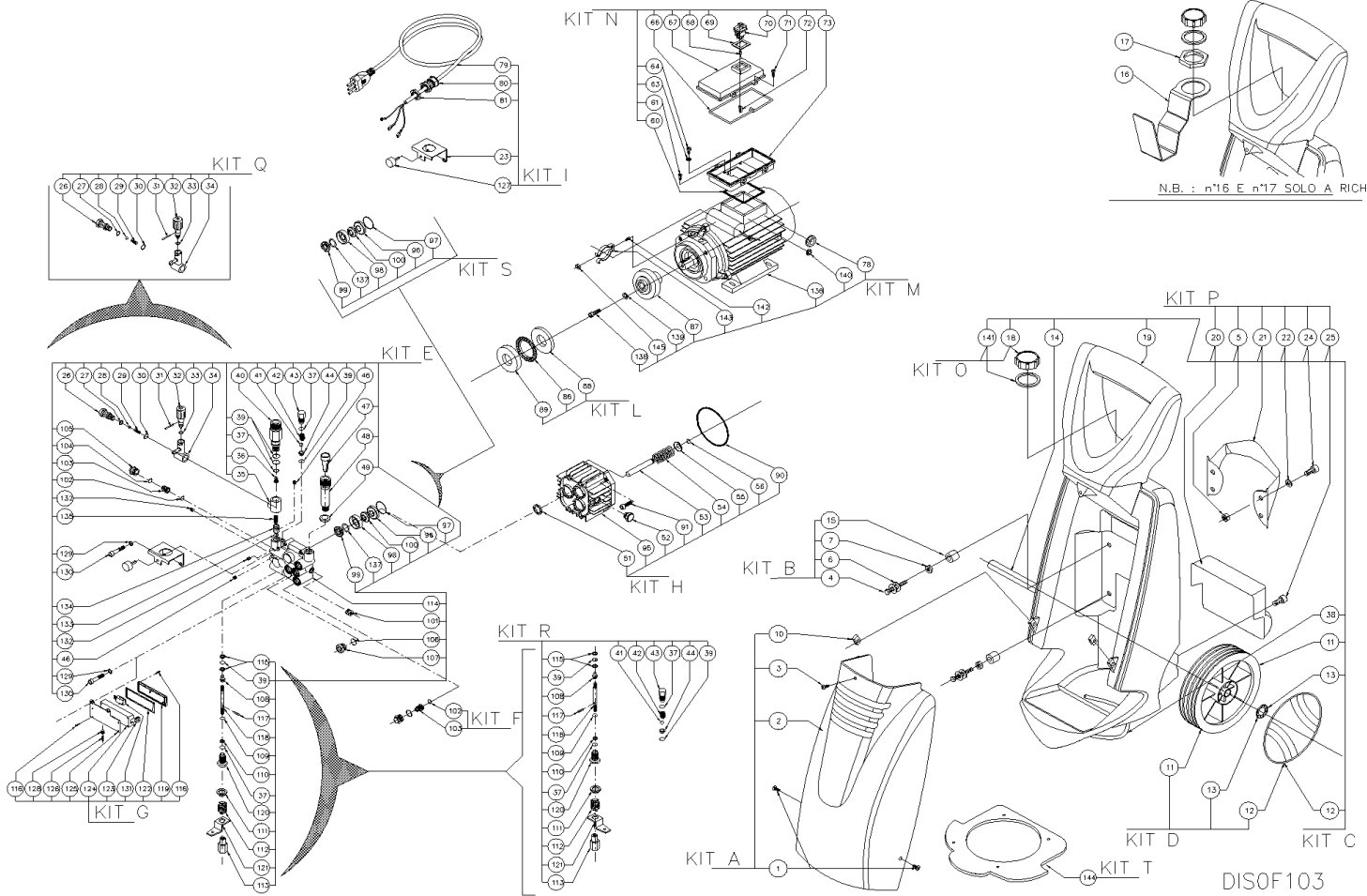
IPCPortotecnica

Spare Parts List

ICA

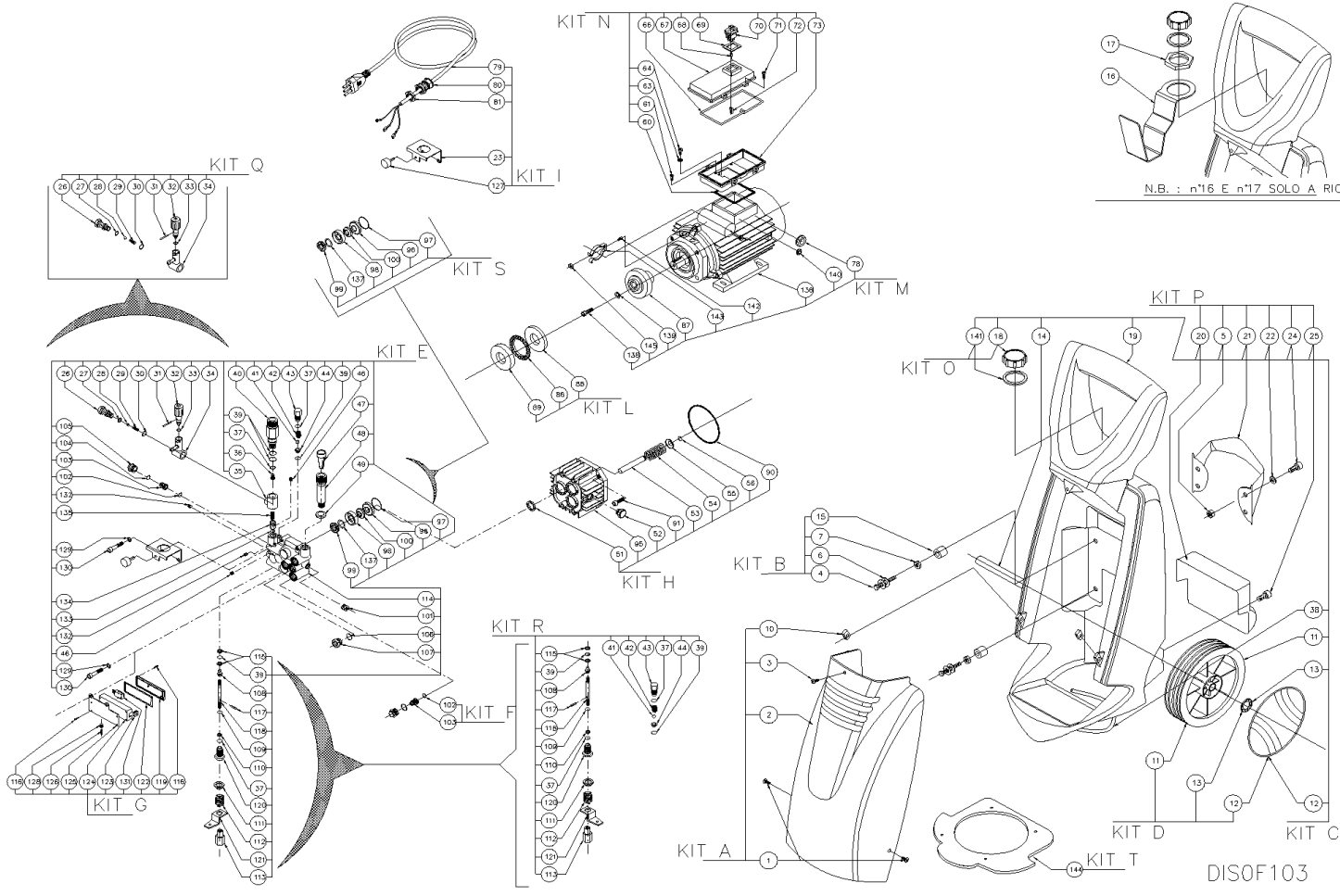
Ref: IDAF94115

Model: IDROP ONE G140 P4 +AV DS M230/50 3-01ICA



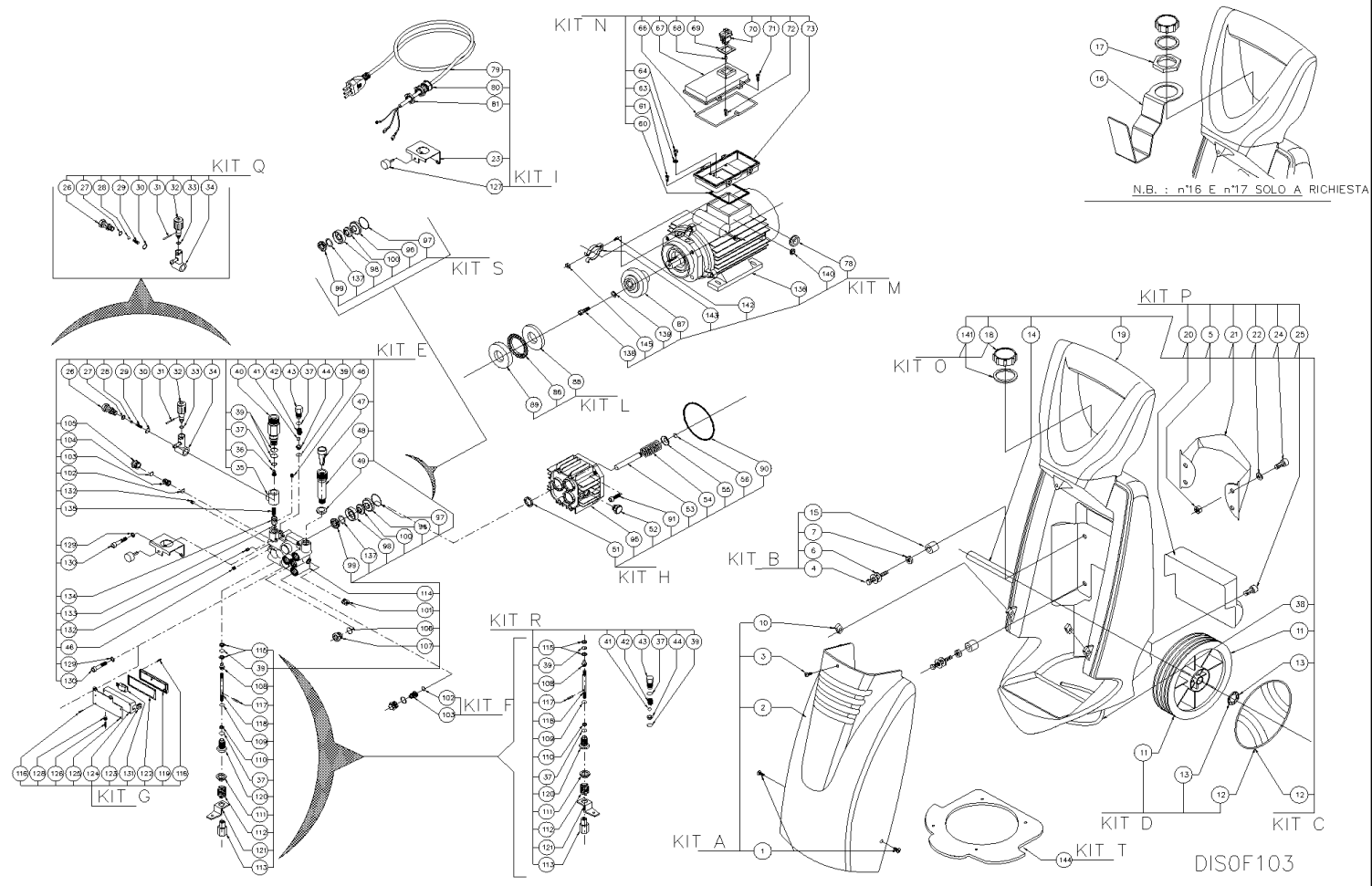
DISOF103

| Ref. | K | Part N. | Customer Part N. | Description | Qty | Validity: | | Price |
|------|---|-----------|------------------|------------------------------------|------|-----------|----|-------|
| | | | | | | From | To | |
| 0001 | E | VTVT63113 | | VIS TCB TC 4,8X22 C/R ZN/N | 2,00 | | | -- |
| 0002 | E | MPVR93947 | | COUVERT.ROUGE ONE FG140 PP | 1,00 | | | -- |
| 0003 | E | VTVT05706 | | VIS TCB-TC 4X10 | 1,00 | | | -- |
| 0004 | E | VTVT17347 | | VIS TE M8X50 BRUN. UNI 5739 | 4,00 | | | -- |
| 0005 | E | VTDD63177 | | ECROU M 8 FLANGIATO | 6,00 | | | -- |
| 0006 | E | VTRS00512 | | RONDELLE D. 8 X24 ZC. | 8,00 | | | -- |
| 0007 | E | VTDD00496 | | ECROU M 8 N.ZINC. | 4,00 | | | -- |
| 0010 | E | FSVR62795 | | PLAQUETTE DI FISSAGGIO RPD0074 | 2,00 | | | -- |
| 0011 | E | RTRT40136 | | ROUE D.175-D.15 SPI-2 | 2,00 | | | -- |
| 0012 | E | MPVR40142 | | PROTEGE MOYEU D. 145 F140 | 2,00 | | | -- |
| 0013 | E | VTRS60945 | | RONDELLE D.15 | 2,00 | | | -- |
| 0014 | E | LAFN40135 | | AXE ROUE D.15 ONE F150 | 1,00 | | | -- |
| 0015 | E | MPVR93006 | | CAOUTCHOUC D. 30 L=20.5 80SH A.VB. | 4,00 | | | -- |
| 0018 | E | MPVR40137 | | BOUCHON RESERV.BOX | 1,00 | | | -- |
| 0019 | E | MPVR82932 | | RESERVOIR F150 X AVV. | 1,00 | | | -- |
| 0020 | E | MPVR60561 | | PORTE-TUYAU F 150 | 1,00 | | | -- |
| 0021 | E | MPVR40133 | | SUPPORT TUYAU ONE F140 | 1,00 | | | -- |
| 0022 | E | VTRS63196 | | RONDELLE PLANE 8X15X1,5 BR | 2,00 | | | -- |
| 0023 | E | LAFN80424 | | BRIDE SUP. SKINTOP AX120 AP | 1,00 | | | -- |
| 0024 | E | VTVT07947 | | VIS TCEI 8X20 UNI5931 | 2,00 | | | -- |
| 0025 | E | VTVT08937 | | VIS TCEI 6X10 | 4,00 | | | -- |
| 0026 | E | RCDS59728 | | VIS FISS.DOS.DET.OT F180 | 1,00 | | | -- |
| 0027 | E | GUGO01062 | | O-RING D. 3.69 X 1.78 NBR 70SH | 1,00 | | | -- |
| 0028 | E | SFVR40173 | | BILLE D. 3/16" AISI 420 | 1,00 | | | -- |
| 0029 | E | MLML40172 | | RESSORT D. 3.5 h=12 | 1,00 | | | -- |
| 0030 | E | GUGO06988 | | O-RING D. 7.66 X 1.78 NBR 70SH | 1,00 | | | -- |
| 0031 | E | VTVR63370 | | PRISE ELASTIQUEM 2X8 | 1,00 | | | -- |
| 0032 | E | MPVR60209 | | POIGNEE REGOL.DET. | 1,00 | | | -- |
| 0033 | E | GUGO63486 | | O-RING D. 4 X 2 -NBR 90SH | 1,00 | | | -- |
| 0034 | E | MPVR60371 | | CORP DOSEUR. DET.SACHS D.-HOBBY | 1,00 | | | -- |
| 0035 | E | PVVR59509 | | CORP DOSEUR. DET.OT F180 | 1,00 | | | -- |
| 0036 | E | UGEI60742 | | BUSE D.2.0 | 1,00 | | | -- |
| 0037 | E | GUGO09720 | | O-RING D. 14 X 1.78 NBR 70SH | 2,00 | | | -- |
| 0038 | E | TBBP61403 | | TUYAU ESSENCE 5X9 | 0,25 | | | -- |
| 0039 | E | GUGO19194 | | O-RING D. 11.11 X 1.78 NBR 70SH | 3,00 | | | -- |
| 0040 | E | RCDS59651 | | RACCORD MAND.X INIET.DET.OT F180 | 1,00 | | | -- |
| 0041 | E | SFVR53315 | | BILLE 3/8 AISI 420 TEMPRATA | 1,00 | | | -- |
| 0042 | E | MLML41638 | | RESSORT D. 7.5 HBY | 1,00 | | | -- |
| 0043 | E | RCDS59692 | | BOUCHON LATERALE | 1,00 | | | -- |

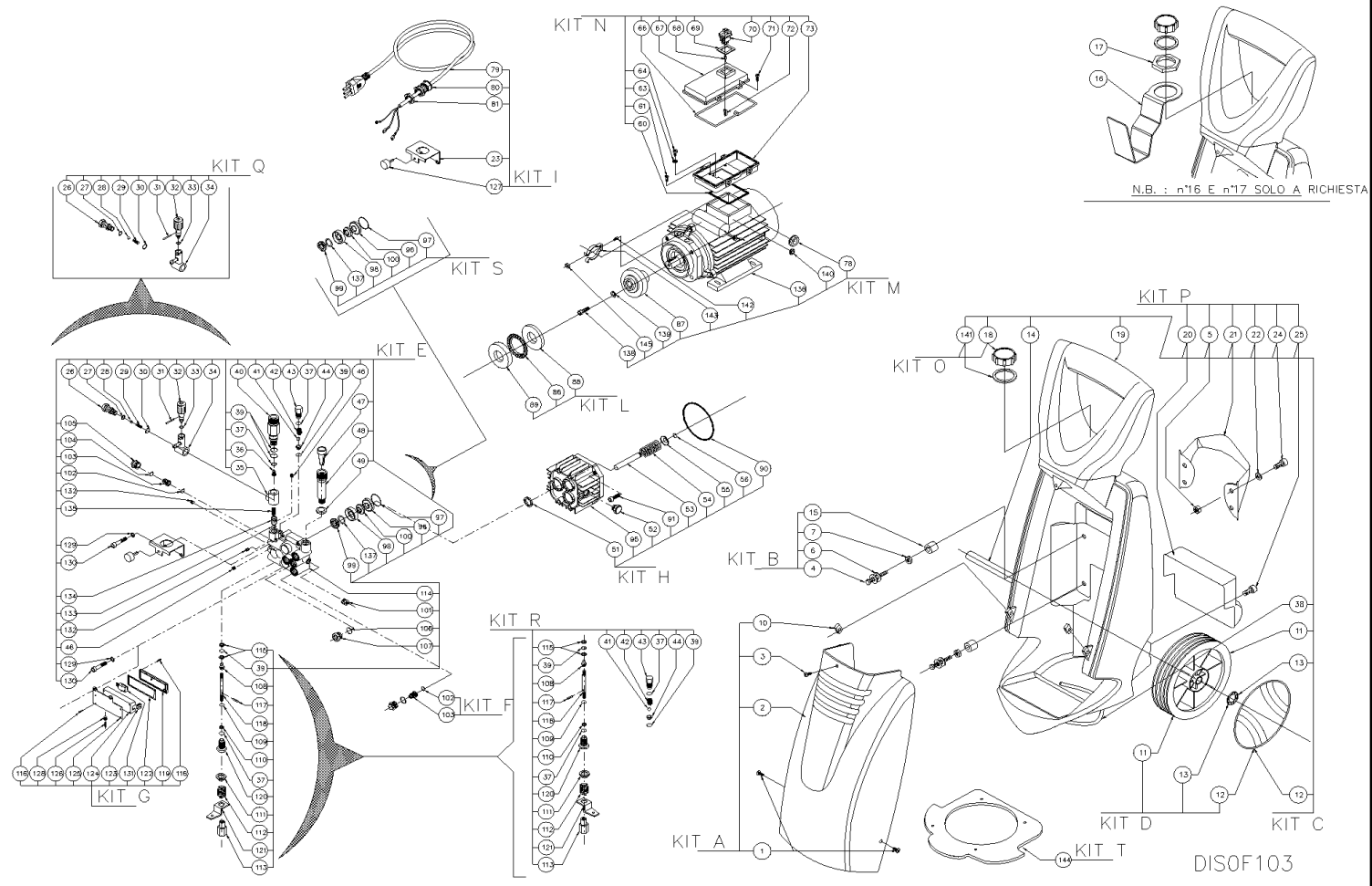


DISOF103

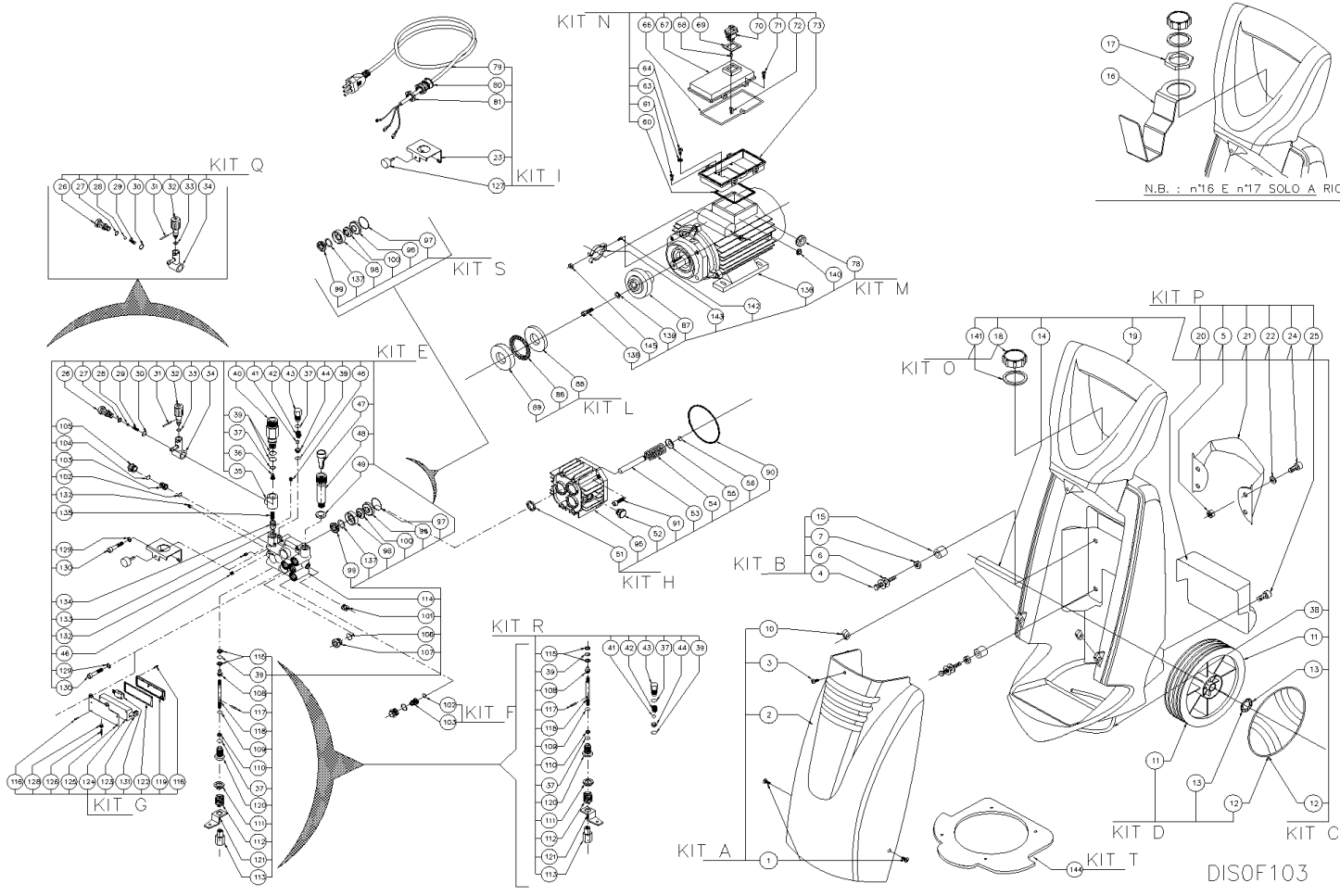
| Ref. | K | Part N. | Customer Part N. | Description | Qty | Validity: From To | Price |
|------|---|-----------|------------------|----------------------------------|------|----------------------|-------|
| 0044 | E | PVVR59197 | | SIEGE SOUPAPE AX | 1,00 | -- | -- |
| 0046 | E | VTVT63066 | | VIS M 5X 6 EI-ST ZC | 2,00 | -- | -- |
| 0047 | E | FTDT60702 | | FILTRE EAU H94 IP | 1,00 | -- | -- |
| 0048 | E | RCDS93619 | | NIPPLE G3/4 F180 | 1,00 | -- | -- |
| 0049 | E | VTRS63218 | | RONDELLE ALL.18X22X1,5 | 1,00 | -- | -- |
| 0051 | E | GUVR81765 | | JOINT SPI 18X26X7/6 | 3,00 | -- | -- |
| 0052 | E | RCDS59703 | | BOUCHON ECHAPP.G 3/8 OT | 2,00 | -- | -- |
| 0053 | E | PIVR67570 | | PISTON FL.18 AC/CE L110 | 3,00 | -- | -- |
| 0054 | E | MLML59288 | | RESSORT RICHIAMO PISTONE AX120 | 1,00 | -- | -- |
| 0055 | E | PVVR80784 | | PLAT APPOGGIO MOLLA CARBONITR. | 3,00 | -- | -- |
| 0056 | E | VTAE63300 | | BAGUE D'ARRET A18 UNI 7433 | 1,00 | -- | -- |
| 0060 | E | GUGO41631 | | JOINT GR 80 -MEC 80/112 | 1,00 | -- | -- |
| 0061 | E | VTVT84798 | | VIS TPS-TC M 5X 40 UNI 7688 | 4,00 | -- | -- |
| 0063 | E | VTRS63310 | | RONDELLE D. 4 | 1,00 | -- | -- |
| 0064 | E | VTVT62983 | | VIS ATF TC CROCE M3,9X19 BRU | 1,00 | -- | -- |
| 0066 | E | GUVR82555 | | JOINT D. 4 | 0,60 | -- | -- |
| 0067 | E | MPVR41651 | | COUVERCLE BOITEF 180 | 1,00 | -- | -- |
| 0068 | E | MEVR21406 | | COSSE NYL FASTOM F.BLU 6.35X0.8 | 2,00 | -- | -- |
| 0070 | E | MECI90213 | | INTERRUPTEUR 0 / 1 CNS | 1,00 | -- | -- |
| 0071 | E | VTVT62983 | | VIS ATF TC CROCE M3,9X19 BRU | 4,00 | -- | -- |
| 0072 | E | MEVR61916 | | COUVRE FASTON F 6,3 UL | 4,00 | -- | -- |
| 0073 | E | MPVR81361 | | DOUILLE SCATOLA ELETTR.F180 | 1,00 | -- | -- |
| 0078 | E | MPVR60519 | | PASSAGE P.CABLE20/28 H11/S4 | 1,00 | -- | -- |
| 0079 | E | MECB93854 | | CABLE H05VV F 3X1,5 MT 5,5 +SCH | 1,00 | -- | -- |
| 0080 | E | MEVR61879 | | PASSAGE P.CABLEPG 13.5 SP. | 1,00 | -- | -- |
| 0081 | E | MEVR61833 | | CONTRE-ECROU NYL PG 13.5 BK. | 1,00 | -- | -- |
| 0086 | E | CUVR80089 | | ROULAMENTS K81110TN INA | 1,00 | -- | -- |
| 0087 | E | MFVR82128 | | PLAT INCL 10° AX120 | 1,00 | -- | -- |
| 0088 | E | CUVR53334 | | ROULAMENTS FISSA LS 5070 | 1,00 | -- | -- |
| 0089 | E | CUVR80744 | | ROULAMENTS AX 120 D.72 | 1,00 | -- | -- |
| 0090 | E | GUGO63466 | | O-RING D. 101.2 X 3,53 -NBR 70SH | 1,00 | -- | -- |
| 0091 | E | VTVT63043 | | VIS TCEI M 8X35 F/RD.8.8 | 4,00 | -- | -- |
| 0095 | E | MFVR67650 | | CARTER POMPA AX120 D.10 | 1,00 | -- | -- |
| 0096 | E | RCDS80152 | | DOUILLE D. 36 D.25X20 OTT | 3,00 | -- | -- |
| 0097 | E | GUGO13383 | | O-RING D. 29.87 X 1.78 NBR 70SH | 1,00 | -- | -- |
| 0098 | E | RCDS80150 | | DOUILLE D. 36 D.25X20 OTT | 3,00 | -- | -- |
| 0099 | E | GUVR81767 | | BAGUE D'ETANCH.18X26X4,5/2,5 | 3,00 | -- | -- |
| 0100 | E | GUVR63515 | | BAGUE D'ETANCH.18X26X4/2 | 1,00 | -- | -- |
| 0101 | E | VTVT63064 | | VIS STEIG 1/4 X10 ZC. | 1,00 | -- | -- |



| Ref. | K | Part N. | Customer Part N. | Description | Qty | Validity: From To | Price |
|------|---|-----------|------------------|----------------------------------------|------|----------------------|-------|
| 0102 | E | GUGO41446 | | O-RING D. 12 X 2 NBR 70SH | 6,00 | -- | -- |
| 0103 | E | VVAM41447 | | ENSEMBL. CLAPETF 180 INX | 6,00 | -- | -- |
| 0104 | E | GUGO40192 | | O-RING D. 12 X 2 NBR 90SH | 6,00 | -- | -- |
| 0105 | E | PVVR41666 | | BOUCHON M 18X1.33 AX 100 | 6,00 | -- | -- |
| 0106 | E | GUGO03505 | | O-RING D. 15.6 X 1.78 NBR 70SH | 1,00 | -- | -- |
| 0107 | E | PVVR41667 | | BOUCHON F 180 | 1,00 | -- | -- |
| 0108 | E | PVVR59181 | | PETIT PISTON AP. BY-PASS | 1,00 | -- | -- |
| 0109 | E | GUGO12489 | | O-RING D. 6.07 X 1.78 NBR 70SH | 1,00 | -- | -- |
| 0110 | E | GUVR63568 | | BAGUE ANTIEXTR.D.6X9X1,5 TEF+BZ | 1,00 | -- | -- |
| 0111 | E | VTRS63213 | | RONDELLE 23X15X1,5 ZIN. AX 120 | 1,00 | -- | -- |
| 0112 | E | MLML41671 | | RESSORT 180 B. | 1,00 | -- | -- |
| 0113 | E | PVVR63084 | | VIS DE REGLAGE PRESSIONE AX120 | 1,00 | -- | -- |
| 0114 | E | MFVR67648 | | CULASSE MANDATA LAT. AX/120 4P | 1,00 | -- | -- |
| 0115 | E | GUVR63559 | | BAGUE ANTIEXTR.D.11X14X1,5 TEF+BZ | 2,00 | -- | -- |
| 0116 | E | VTVT93816 | | VIS TCB-TC 2.2X16 ZINC | 9,00 | -- | -- |
| 0117 | E | VTVR81141 | | GOUPILLE D. 2X22 UNI 1707 INX | 1,00 | -- | -- |
| 0118 | E | LAFN59140 | | GOUJON CONTROLEBY-PASS AX120 | 1,00 | -- | -- |
| 0119 | E | MPVR94284 | | COUVERCLE S.T-STOP S3 | 1,00 | -- | -- |
| 0120 | E | RCDS59695 | | BOUCHON GUIDA PERNO | 1,00 | -- | -- |
| 0121 | E | LAFN41676 | | PLAQUETTE SIST.T-STOP A/110 | 1,00 | -- | -- |
| 0122 | E | GUVR40208 | | JOINT T-ST. S/2 | 1,00 | -- | -- |
| 0123 | E | MPVR40207 | | PASSAGE P.CABLECOND.D.5.5 55 SHORE | 1,00 | -- | -- |
| 0124 | E | MPVR94285 | | COQUILLE T-STOP F140/150 S2 | 1,00 | -- | -- |
| 0125 | E | LAFN81764 | | PLAQUE SUP.TSTOP F180 4P VERNIC. | 1,00 | -- | -- |
| 0126 | E | VTVR41678 | | VIS DE REGLAGE S.T-STOP A110 | 1,00 | -- | -- |
| 0127 | E | MPVR60554 | | PETIT PIED D.20 H.90 | 1,00 | -- | -- |
| 0128 | E | MPVR41620 | | PROTECTION S.T-STOP FP | 1,00 | -- | -- |
| 0129 | E | VTRS63313 | | RONDELLE SCHNORR M10 ZN | 4,00 | -- | -- |
| 0130 | E | VTVT80093 | | VIS TCEI M10X40 12.9 | 4,00 | -- | -- |
| 0131 | E | MECI93800 | | MICROINTERRUPT.20A F.C/L XG02-86-J21Z1 | 1,00 | -- | -- |
| 0132 | E | VTVT63076 | | BOUCHON CE DIN906 ZB M8X1 | 2,00 | -- | -- |
| 0133 | E | GUGO93633 | | O-RING D. 5 X 2 NBR 90SH | 1,00 | -- | -- |
| 0134 | E | VVSF41680 | | SOUPAPE F 180 | 1,00 | -- | -- |
| 0135 | E | MLML41681 | | RESSORT D. 5,3 X21 F.0.65 V.N.RT | 1,00 | -- | -- |
| 0136 | E | MOMO81381 | | MOTEUR 1PH 2.7 KW 4P 230/50 | 1,00 | -- | -- |
| 0137 | E | GUVR80835 | | BAGUE ANTIEXTR.D. 8 X11 PA | 1,00 | -- | -- |
| 0138 | E | VTVT29810 | | VIS TCEI M 8X20 UNI 5931 | 1,00 | -- | -- |
| 0139 | E | VTRS63265 | | RONDELLE SERRAGGIO DISCO INCL. | 1,00 | -- | -- |
| 0140 | E | MPVR60518 | | PASSAGE P.CABLE15X7,5 | 1,00 | -- | -- |



| Ref. | K | Part N. | Customer Part N. | Description | Qty | Validity: | | Price |
|------|---|-----------|------------------|-----------------------------|------|-----------|----|-------|
| | | | | | | From | To | |
| 0141 | E | GUVR82165 | | JOINT X SERBATOIO SERIE "F" | 1,00 | | | -- |
| 0142 | E | VTVT29810 | | VIS TCEI M 8X20 UNI 5931 | 1,00 | | | -- |
| 0143 | E | FSVR58862 | | COLLIER CONDENSATORE | 1,00 | | | -- |
| 0144 | E | MPVR81405 | | SEPARATEUR SP.3 F180 4P | 1,00 | | | -- |
| 0145 | E | VTDD63170 | | ECROU M 6 ZN | 1,00 | | | -- |



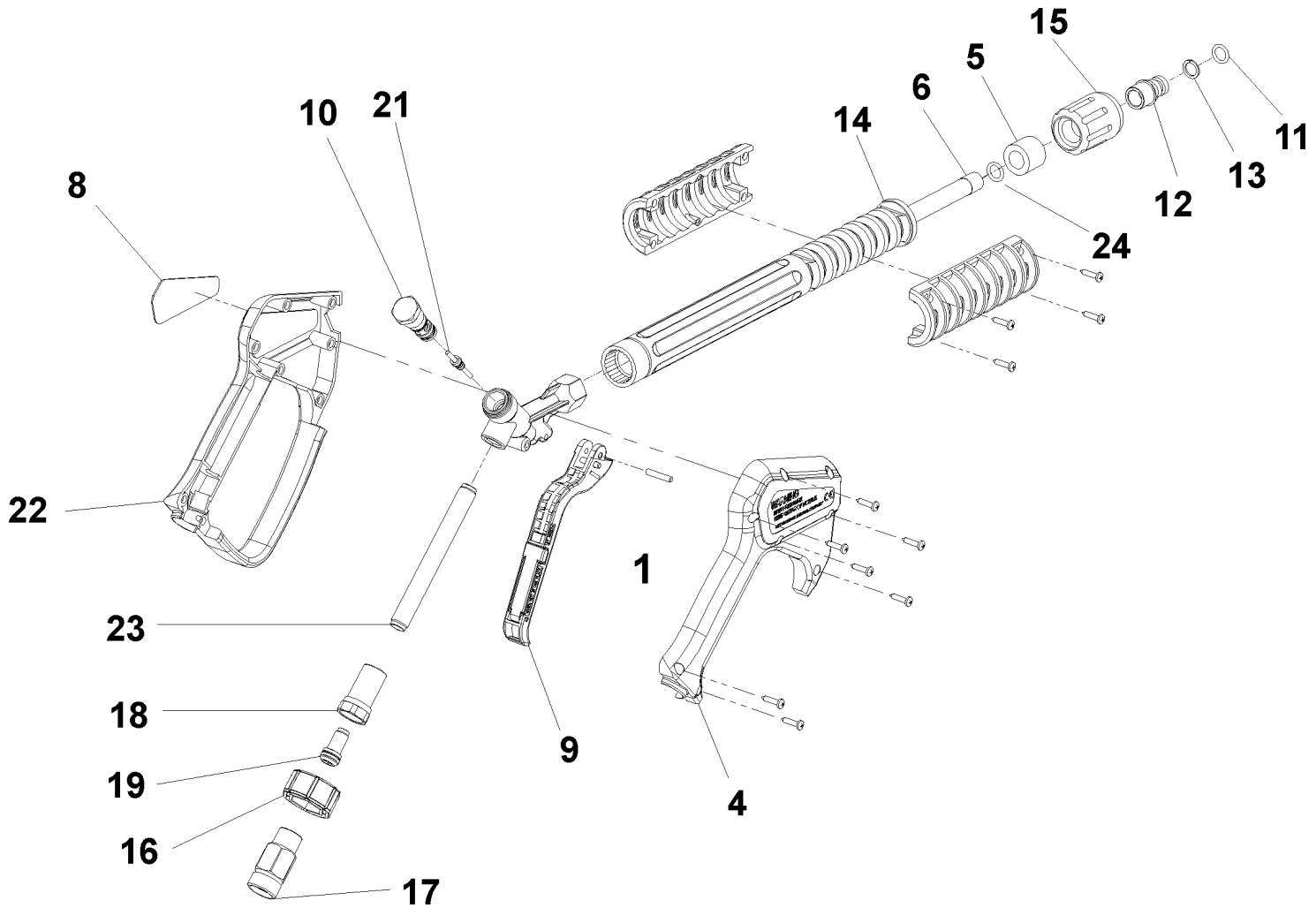
DISOF103

| Ref. Part N. | Cust. Part N. | Description | Reference | Price |
|--------------|---------------|------------------------------------------|---------------------------------------------------------------------------------------------------------------------------------------------------------------------------------------------------------------------------------------------------------------|-------|
| K A | KTRI83885 | COUVERT.ROUGE KIT 791 F140 ONE (1PZ) | 0001 0002 0003 | -- |
| K B | KTRI83900 | AMORTISSEUR KIT 806 MOT. F180 (4PZ) | 0004 0006 0007 0015 | -- |
| K C | KTRI83731 | CHARIOT KIT 732 F140 (1PZ) | 0005 0011 0012 0013 0014 0018 0019 0020 0021 0022 0024 0025 0038 0141 | -- |
| K D | KTRI83732 | ROUE KIT 733 F140 (2PZ) | 0011 0012 0013 | -- |
| K E | KTRI67646 | CULASSE AX 120 4P | 0026 0027 0028 0029 0030 0031 0032 0033 0034 0035 0040 0041 0042 0044 0046 0047 0048 0049 0096 0097 0098 0099 0100 0101 0102 0103 0104 0105 0106 0107 0108 0109 0110 0111 0112 0113 0114 0115 0117 0118 0120 0121 0129 0130 0132 0133 0134 0135 0137 | -- |
| K F | KTRI64504 | KIT F 15- 11 F180 (6PZ) | 0102 0103 | -- |
| K G | KTRI83938 | AUTOMATIC TSTOPKIT 817 T/S F150 4P (1PZ) | 0116 0119 0122 0123 0124 0125 0126 0128 0131 | -- |
| K H | KTRI83939 | CARTER KIT 818 F150 4P (1PZ) | 0051 0052 0053 0054 0055 0056 0090 0091 0095 | -- |
| K I | KTRI83948 | CABLE KIT 827 F140 4P EU (1PZ) | 0023 0079 0080 0081 0127 | -- |
| K L | KTRI83941 | ROULAMENTS KIT 820 F150 4P (1 PZ) | 0086 0088 0089 | -- |
| K M | KTRI83949 | MOTEUR KIT 828 F140 4P 230 (1PZ) | 0078 0087 0136 0138 0139 0140 0142 0143 0145 | -- |
| K N | KTRI83950 | TABLAU DE CDE KIT 829 F140 4P EU (2PZ) | 0060 0061 0063 0064 0066 0068 0070 0071 0072 0073 | -- |
| K O | KTRI83742 | BOUCHON RESERV.KIT 743 F140 (10 PZ) | 0018 0141 | -- |
| K P | KTRI83743 | PORTE-OUTIL KIT 744 F140 (1 PZ) | 0005 0020 0021 0022 0024 0025 | -- |
| K Q | KTRI64898 | KIT 473 REG.ASP/DET (1PZ) | 0026 0027 0028 0029 0030 0031 0032 0033 0034 | -- |
| K R | KTRI83944 | KIT 823 BY-PASS F150 4P (1PZ) | 0037 0039 0041 0042 0043 0044 0108 0109 0110 0111 0112 0113 0115 0117 0118 0120 0121 | -- |
| K S | KTRI83945 | DOUILLE KIT 824 F150 4P (3PZ) | 0096 0097 0098 0099 0100 0137 | -- |

| Ref. | K | Part N. | Customer Part N. | Description | Qty | Validity: | | Price |
|------|---|-----------|------------------|--------------------------------------|------|-----------|----|-------|
| | | | | | | From | To | |
| 0001 | E | LCPR93178 | | LANCE TURBO TTR-16+SF230 D.1.35 | 1,00 | | | -- |
| 0002 | E | LCPR40006 | | RALLONGE MV290 - TST.RG.035 BLU | 1,00 | | | -- |
| 0003 | E | TBAP93861 | | TUYAU H.P. 1/4 GM 210B 10M M22 14/15 | 1,00 | | | -- |
| 0004 | E | IPPR89429 | | POIGNEE G 4500 - P.330 -M22SW.M V | 1,00 | | | -- |

| Ref. | Part N. | Cust. Part N. | Description | Reference | Price |
|------|-----------|---------------|------------------------------------|-----------|-------|
| K A | KTRI93994 | | RALLONGE KIT F31-052 TURBO 1.35(1P | 0001 | -- |
| K B | KTRI94386 | | RALLONGE KIT 082 MV290 T.REG035(1) | 0002 | -- |
| K C | KTRI83637 | | TUYAU KIT 712 GM 7MT (1 PZ) | 0003 | -- |
| K D | KTRI83638 | | PISTOLET KIT 713 AL-9 (1 PZ) | 0004 | -- |

| Ref. | K | Part N. | Customer Part N. | Description | Qty | Validity: | | Price |
|------|---|-----------|------------------|----------------------------------------|------|-----------|----|-------|
| | | | | | | From | To | |
| 0001 | | VTVT63135 | | VIS M 8X 30 TSPEI | 1,00 | | | -- |
| 0002 | | MPVR81930 | | BRAS LEVA AVVOLG. SERIE "F" | 1,00 | | | -- |
| 0003 | | MPVR81926 | | SUPPORT AVVOLGITUBO SERIE "F" | 2,00 | | | -- |
| 0004 | | RCDS81982 | | PIVOT DI MANIGLIA AVVOLGITUBO " | 1,00 | | | -- |
| 0005 | | VTVT82024 | | VIS ATF TCCR 5X35 BR. UNI9707 | 6,00 | | | -- |
| 0006 | | MPVR81784 | | DISQUE AVVOLGITUBO F140 | 1,00 | | | -- |
| 0007 | | MPVR93869 | | DISQUE D'ENTR. AVVOLG. SERIE "H122" AP | 1,00 | | | -- |
| 0008 | | VTVT07947 | | VIS TCEI 8X20 UNI5931 | 2,00 | | | -- |
| 0009 | | MPVR81904 | | TAMBOUR AVVOLGITUBO SERIE "F" | 1,00 | | | -- |
| 0010 | | TBAP90126 | | TUYAU H.P. RINVIO HP BRASATO AVV/TB | 1,00 | | | -- |
| 0010 | | VTAE63298 | | BAGUE D'ARRET D.18 UNI 7435 | 1,00 | | | -- |
| 0012 | | MPVR81783 | | DISQUE AVVOLGITUBO F140 | 1,00 | | | -- |
| 0013 | | RCDS81983 | | ECROU AVVOLGITUBO SERIE "F" | 1,00 | | | -- |
| 0015 | | GUVR63567 | | BAGUE ANTIEXTR.X OR 2056 | 2,00 | | | -- |
| 0016 | | RCDS81981 | | PIVOT DIFFUSORE AVVOLGITUBO "F" | 1,00 | | | -- |
| 0017 | | TBAP82021 | | TUYAU H.P. COLLEGAMENTO MACCH.AVV/T | 1,00 | | | -- |
| 0018 | | GUGO09720 | | O-RING D. 14 X 1.78 NBR 70SH | 2,00 | | | -- |
| 0019 | | VTRS63196 | | RONDELLE PLANE 8X15X1,5 BR | 4,00 | | | -- |
| 0020 | | MPVR82023 | | POIGNEE AVV/TUB"SERIE F"138-60 M8 | 1,00 | | | -- |
| 0022 | | VTVT63035 | | VIS TCEI M8X25 BRUNITA | 4,00 | | | -- |



| Ref. | K | Part N. | Customer Part N. | Description | Qty | Validity: | | Price |
|------|---|-----------|------------------|---------------------------------|------|-----------|---------|-------|
| | | | | | | From | To | |
| 0001 | | VTVR46568 | | GOUILLE G 4500 | 1,00 | | | -- |
| 0004 | | MPVR40157 | | COUVERCLE G 4500 2V. | 1,00 | 05/2008 | | -- |
| 0004 | | MPVR46563 | | COUVERCLE G 4500 | 1,00 | | 04/2008 | -- |
| 0005 | | MPVR46572 | | ENTRETOISE P 330 ST | 1,00 | | | -- |
| 0006 | | LCPR40007 | | TUYAU 1/4 L=352 ZC. 2V. | 1,00 | 05/2008 | | -- |
| 0006 | | LCPR46571 | | TUYAU 1/4 L=352 ZC. | 1,00 | | 04/2008 | -- |
| 0008 | | MPVR46569 | | PLAQUE G 4500 RD. | 1,00 | | | -- |
| 0009 | | MPVR40057 | | GACHETTE G 4500 -SW | 1,00 | | | -- |
| 0010 | | PVVR40030 | | PETIT PISTON TM ST-2300 | 1,00 | | | -- |
| 0011 | | GUGO10384 | | O-RING D. 10 X 2.2 VIT 80SH | 1,00 | | | -- |
| 0012 | | RCVR13030 | | CHEVILLE-GOUJONG 1/4 F L=31.5 | 1,00 | | | -- |
| 0013 | | GUVR10526 | | BAGUE ANTIEXTR.D.13.9X10.2 C.BZ | 1,00 | | | -- |
| 0014 | | MPVR46570 | | PROTECTION P 330 ST | 1,00 | | | -- |
| 0015 | | PVVR13445 | | RONDELLE M 22X1,5 L=45 | 1,00 | | | -- |
| 0016 | | MPVR40058 | | FRETTE G4500 SW. | 1,00 | | | -- |
| 0017 | | RCIN40001 | | BRANCHEMENT SWIV 4500 3/8"F | 1,00 | | 04/2008 | -- |
| 0017 | | RCIN40005 | | BRANCHEMENT SWIV 4500 3/8"F 2V. | 1,00 | 05/2008 | | -- |
| 0018 | | RCIN31641 | | RACCORD SWIV 1500 F | 1,00 | | | -- |
| 0019 | | KTRI31645 | | KIT P 26- 14 | 1,00 | | | -- |
| 0021 | | PVVR40031 | | TIGE ST-2300 | 1,00 | | | -- |
| 0022 | | MPVR40156 | | COQUILLE G 4500 2V. | 1,00 | 05/2008 | | -- |
| 0022 | | MPVR46562 | | COQUILLE G 4500 | 1,00 | | 04/2008 | -- |
| 0023 | | PVVR40023 | | TUYAU G 1/4" M/M P/SW. | 1,00 | | | -- |
| 0024 | | GUGO27021 | | O-RING D. 11 X 2.5 EPD 70SH | 1,00 | 05/2008 | | -- |