


**P.A. – S.p.A. – EQUIPAGGIAMENTI TECNICI DEL LAVAGGIO**

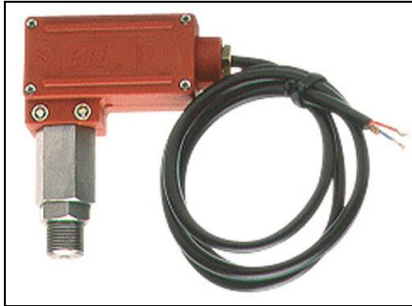
VIA MILANO, 13 – CASELLA POSTALE 115 – 42048 RUBIERA (REGGIO EMILIA) – ITALY  
 Tel. +39 0522 623611 – Fax. +39 0522 629600 – R.E.A. RE 156319 – R.I. RE11535 – Mecc. RE 013446  
 C.F. e P. IVA 01035950359 – Cap. Soc. i.v. € 750.000,00 – Codice Identificativo C.E.E. IT 01035950359  
 ART. 2497 – BIS C.C. DIREZIONE E COORDINAMENTO BENETTI srl R.I. TRIB. DI RE 01480690351  
 Web: <http://www.pa-etl.it> – E-mail: [info@pa-etl.it](mailto:info@pa-etl.it)



## PR1 – PRESSURE SWITCH with electric signal

**Technical manual: E 805**

Electro-mechanical device, which, upon reaching a pre-set pressure, opens or closes an electrical control contact .



- **29.0000.00** PR1 rated 45 bar – 4.5 MPa
- **29.0000.25** PR1 rated 25 bar – 2.5 MPa

- Microswitch with very high resistance openings.
- Considerable resistance to high current values.
- Electrical insulation: **IP55**
- Three core cable
- Sst threaded connection

### TECHNICAL SPECIFICATIONS

PART NUMBER	RATED PRESSURE bar - MPa	PERMISSIBLE PRESSURE bar - MPa	INTERVENT. PRESSURE bar - MPa	DIFFERENTIAL WORKING PRESSURE bar - MPa	(1) MAX.TEMP OF THE FLUID °C	INLET	WEIGHT g
<b>29.0000.00</b>	600 - 60	660 -66	45 – 4.5	±6	90	G 3/8 M	280
<b>29.0000.25</b>	600 - 60	660 -66	25 – 2.5	±6	90	G 3/8 M	280

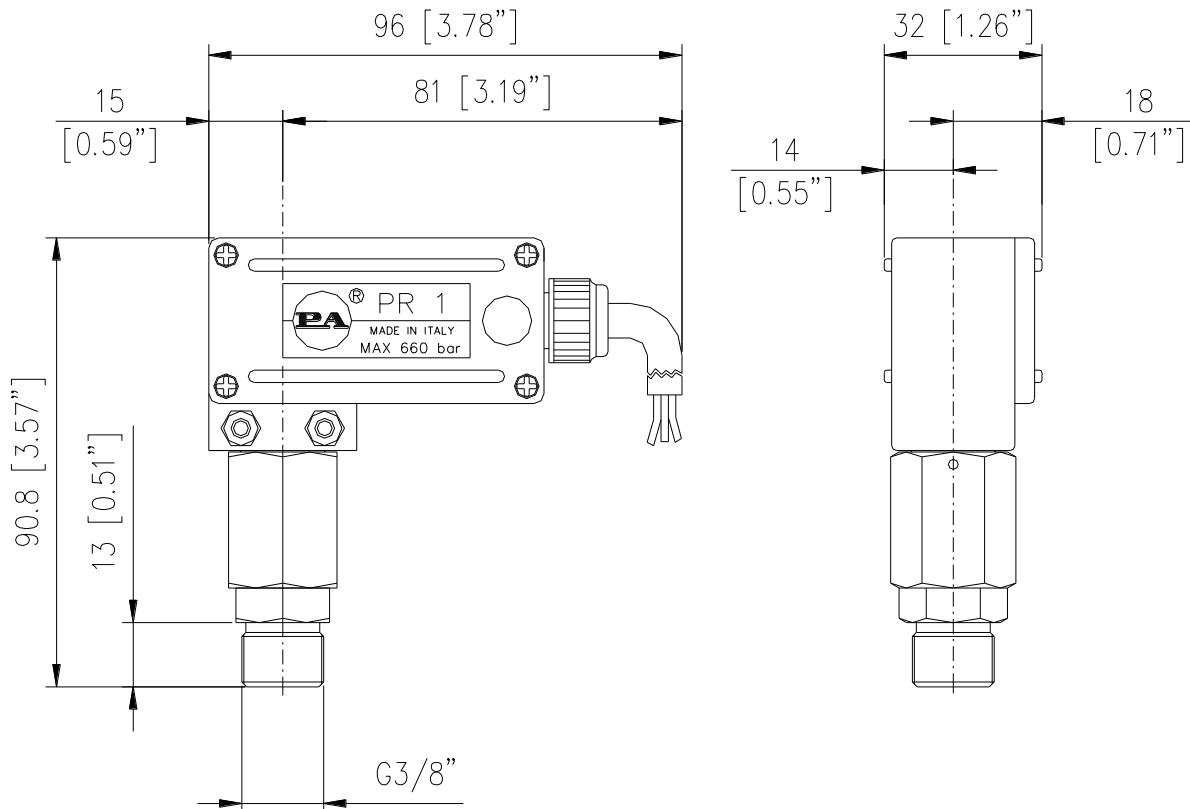
### ELECTRICAL SPECIFICATIONS

Max rated voltage:	250 V
Breaking switch:	16 (A) – resistive load - 6 (A) – inductive load
Cable length :	1200 mm – Electric wire : 3 x 1 mm
Max.amperage cable:	10 A
Environment temp.:	75 °C – Type of action: 1C
Lifetime electrical component:	50.000 commutations,T.85°C,a 250V a.c.in line with CEE 24- VDE 0630
Pollution situation of the device control:	High

**(1)** The Pressure switch has been designed for a continuous use at a water temperature of 60°C. It can resist for short periods at a maximum temperature of 90°C.

<b>Instruction manual, maintenance, installation, spare parts.</b> For a correct utilization, follow the directions of this manual. <b>Re-print them on the use and maintenance booklet of the machine</b>	n. 12.9805.00

## DIMENSIONAL DRAWING



## INSTRUCTIONS

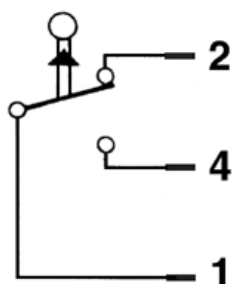
### SELECTION

Choose the appropriate pressure switch for the rated pressure of the system and for the on/off operations. Check that the value of the requested current is under the maximum rated value. In any case, the pressure of the machine should not exceed the permissible pressure rate imprinted on the pressure switch.

### INSTALLATION

When installed on machines that produce hot water, the pressure switch has to be fitted in front of the heat generator. This accessory has to be installed on a finished machine. **Electrical installation has to be carried out by a qualified person.**

**ATTENZIONE !! – Always assure earth wiring to the electric device.**



### WIRING DIAGRAM

1) RED - 2) BLUE - 4) BROWN

### ELECTRICAL CONNECTION

N.O. RED + BROWN – Normally open  
N.C. RED + BLUE – Normally closed

### OPERATIONS

The PR1 Pressure switch signals the surpass of a pre-set pressure, through a piston, which operates a switch lever. The set pressure of 45 bar – 4.5 MPa is of the fixed type.