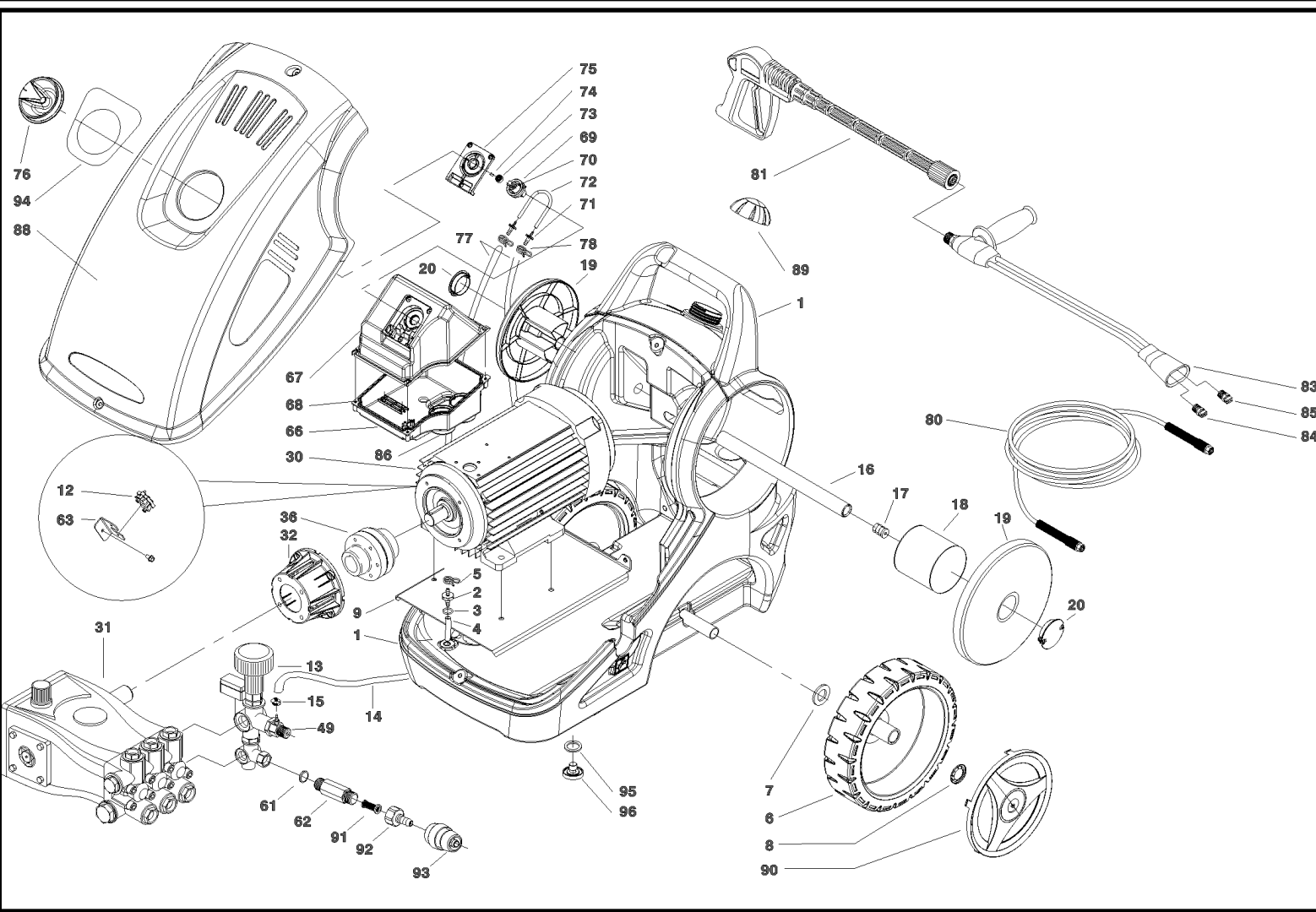


Spare Parts List

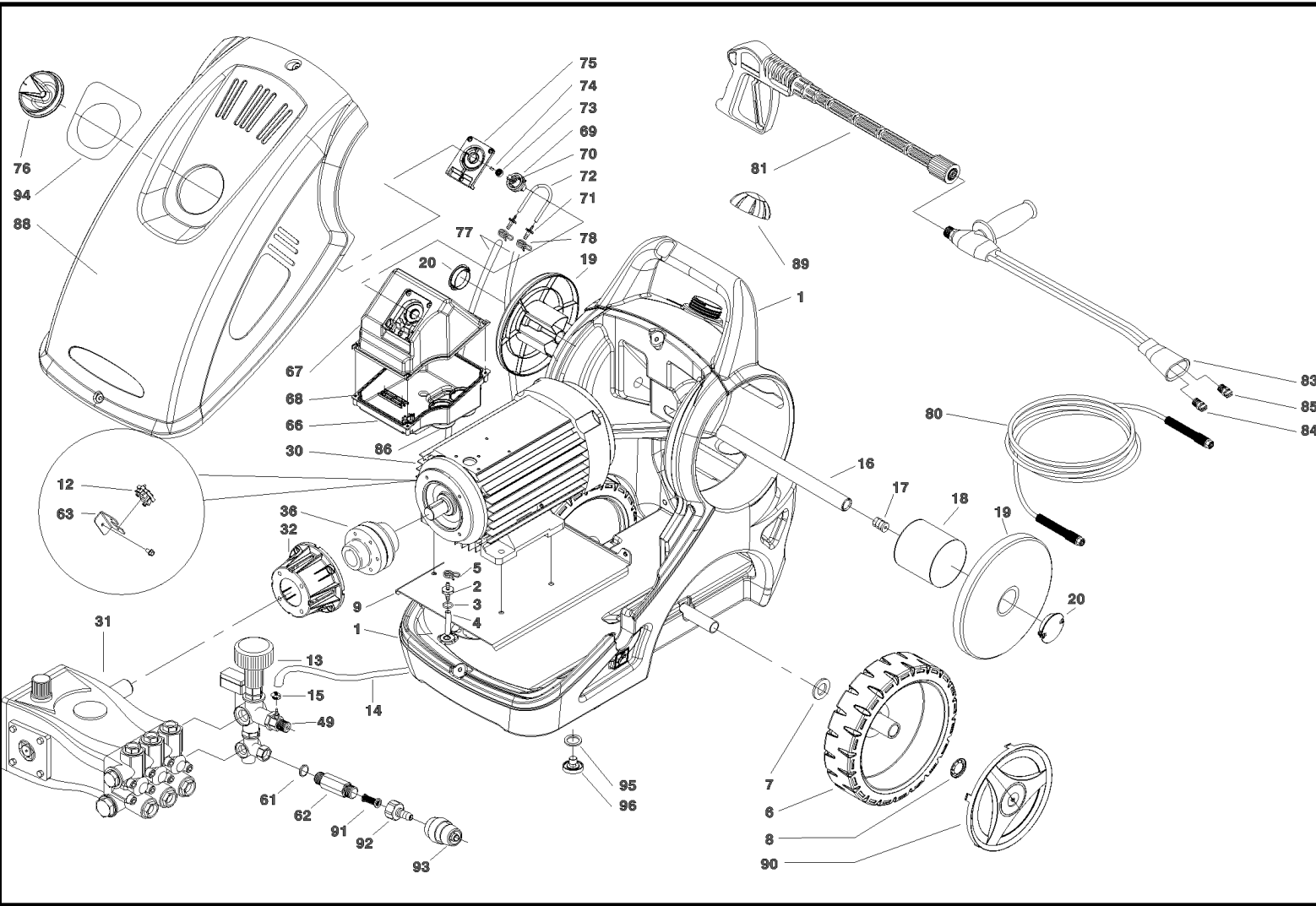
IP Cleaning Div.PROFESSIONAL

Ref: IDAF40099

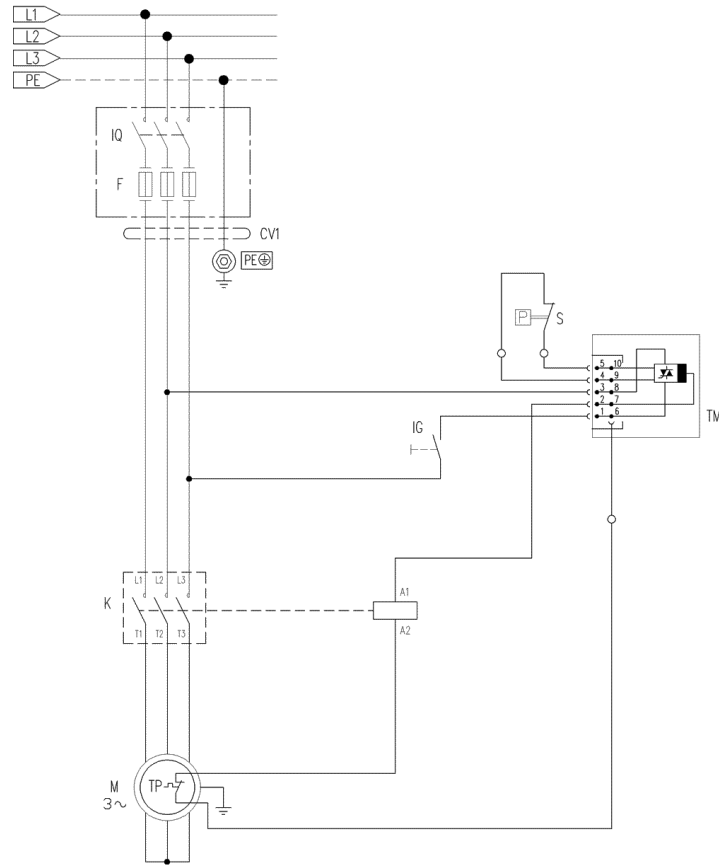
Model: IDROP EVOLUT.X3 DS 190 T 400/50 3-01ICA



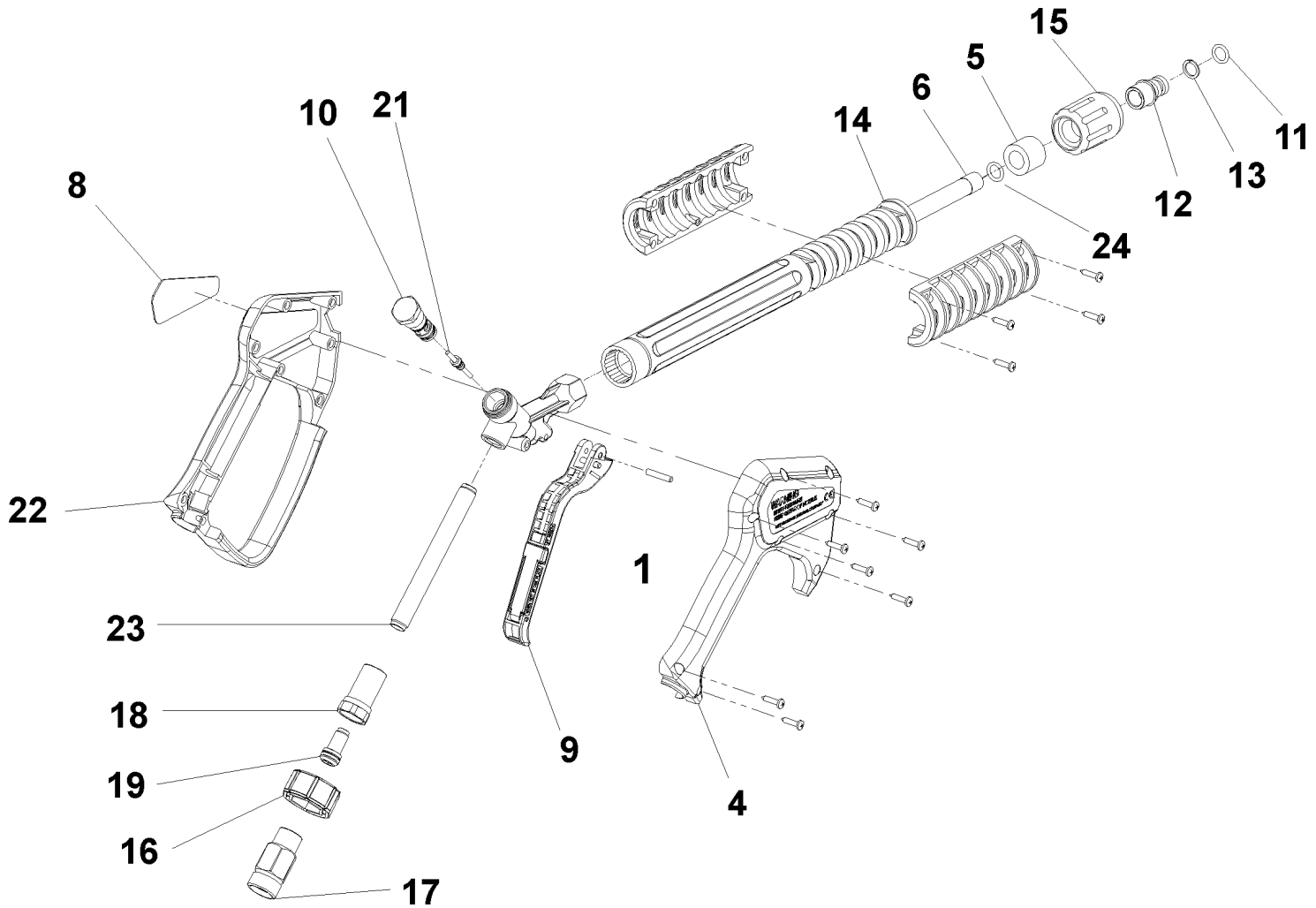
Ref. K	Part N.	Customer Part N.	Description	Qty	Validity: From	To	Price
0001	MPVR89898		CARRELLO P237- 6CV C.SB. PELD BK.	1,00			--
0002	RCDS88373		PORTAGOMMA 1/8 M D. 3- 7	1,00			--
0003	GUGO01054		O-RING D. 15.08 X 2.62 NBR 70SH	1,00			--
0004	TBBP15347		TUBO B.P. D. 6- 8 RILSAN NT.	0,08			--
0005	FSVR72800		FASCETTA D 8.3 - 8.8	1,00			--
0006	RTRT45383		RUOTA LIBERA D.305-D.25 RT-IPC	2,00			--
0007	VTRS73055		RONDELLA D.44x26x4	2,00			--
0008	VTRS09813		ROSETTA D.25	2,00			--
0009	LAFN40036		SUPPORTO MOTOREP237 H.100 2V.	1,00			--
0012	MEVR33994		SERRACAVO 4228 B D. 6- 18	1,00			--
0013	VVAZ40008		VALVOLA AR M.MATIC 4/B-RC+TS/I.2	1,00			--
0015	FSVR00427		FASCETTA D. 12 CLIC 66-110	1,00			--
0016	LAFN40002		ASSE P237- 6CV ST. BK	1,00			--
0017	MPVR40003		PUNTALE D.22 C/F.M8	2,00			--
0018	LAFN40003		TAMBURO P237 ST. BK	1,00			--
0019	MPVR89777		AVVOLGICAVO P237	2,00			--
0020	MPVR89776		TAPPO P237 A.CB.	2,00			--
0030	MOTR89900		MOTORE TR. P237 HP 6 400-504P H100	1,00			--
0031	PPAP40039		POMPA RC 14.16 DX N	1,00			--
0032	MFVR44328		CONTROFLANGIA H100 P176	1,00			--
0036	FGGT45424		GIUNTO ELASTICOW 1 2PZ. P176	1,00			--
0049	RCIN03753		INNESTO MASCHIOM22-3/8 M-FA	1,00			--
0061	GUGO01032		O-RING D. 17.13 X 2.62 NBR 70SH	1,00			--
0062	RCDS42051		NIPPLO 3/4 - 1/2 RYL	1,00			--
0063	LAFN89774		SUPPORTO P237 ZC.	1,00			--
0066	MPVR89768		CASSETT.COMANDIP237 PA6 BK.	1,00			--
0067	MPVR89767		COPERCHIO CASS.P237 PA6 BK.	1,00			--
0068	GUGO11309		TRAFILATO MOUSSE D. 3	0,80			--
0069	MPVR89759		CODOLO P237 INT. PA6 BK.	1,00			--
0070	GUGO01032		O-RING D. 17.13 X 2.62 NBR 70SH	1,00	09/2006		--
0070	GUGO19395		O-RING D. 20.24 X 2.62 NBR 70SH	1,00		09/2006	--
0071	RCDS89761		PORTAGOMMA PA6 D. 3.5-7 P237	2,00			--
0072	TBBP89815		TUBO B.P. D. 4- 8.5 SILIC. NT.	0,19			--
0073	MPVR89760		RULLO P237 PA6 BK.	1,00			--
0074	LAFN89793		PERNO P237 INX	1,00			--
0075	MPVR89763		COPERCHIO P237 PA6 BK.	1,00			--
0076	MPVR89762		MANOPOLA NERA P237 PA6	1,00			--
0077	TBBP04917		TUBO B.P. D. 6- 9	1,10			--
0078	FSVR72803		FASCETTA D 9.3 - 9.9	2,00			--



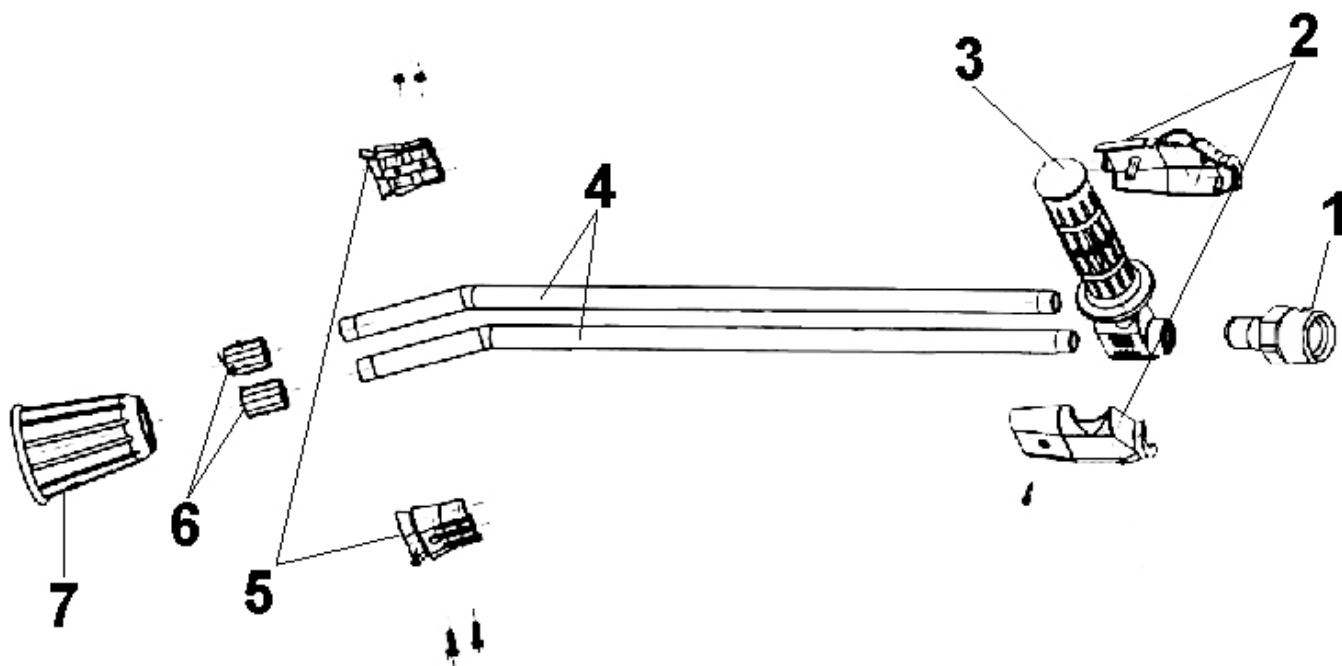
Ref.	K	Part N.	Customer Part N.	Description	Qty	Validity:		Price
						From	To	
0080		TBAP25324		TUBO A.P. R1 MT 10 5/16" C/2 IRV ZC	1,00			--
0081		IPPR89429		IMPUGNATURA G 4500 - P.330 -M22SW.M V	1,00			--
0083		LCPR12983		PROLUNGA DOPPIAPD 70	1,00			--
0084		UGLN05174		UGELLO 1/4 5040 OT	1,00			--
0085		UGLN49992		UGELLO LECH 1/4 25045	1,00			--
0086		GUGO27294		GUARNIZIONE MOT.ELD 87X 87	1,00			--
0088		MPVR40220		COPERTURA ROSSAP237- 6CV P/MV625 PP	1,00			--
0089		MPVR45426		TAPPO SERBATOIOP176 PEHD	1,00			--
0090		MPVR45384		COPRIRUOTA RSS D. 305 RT-PRT	2,00			--
0091		FTAC09717		FILTRO D.15X37	1,00			--
0092		RCVR29600		PRESA PTC 3/4 F	1,00			--
0093		RCVR29602		RACCORDO D. 1/2"-5/8" PTC	1,00			--
0094		ETET89890		ETICHETTA P237-EV.X5 PLC	1,00			--
0095		GUGO76542		O-RING D. 23.47 X 2.62 NBR 70SH	1,00			--
0096		RCDS89769		TAPPO M12X1 CH.6 H.20 OT.	1,00			--



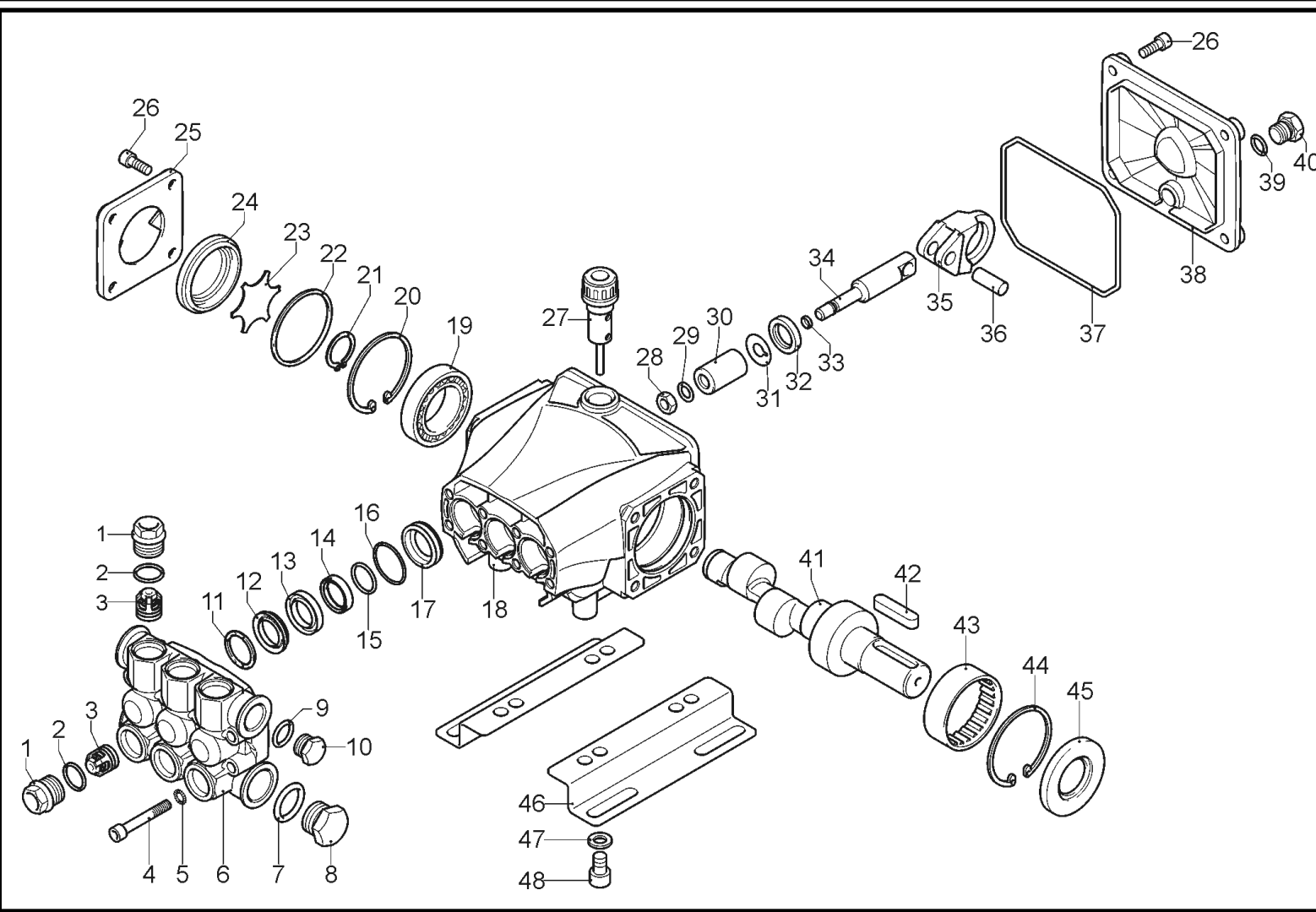
Ref.	K	Part N.	Customer Part N.	Description	Qty	Validity:		Price
						From	To	
K		METT40664		TELERUTTORE SIE 3RT 1017 1AV01 400V	1,00			--
IG		MECI89816		MICROINTERRUT. XGG2-86 Z284	1,00			--
TM		METY89835		TEMPORIZZATORE THV/1+OPTO 380V 5/60 30S	1,00			--
CV1		MECB40002		CAVO H07 RNF 4X1.5 L=6.500	1,00			--



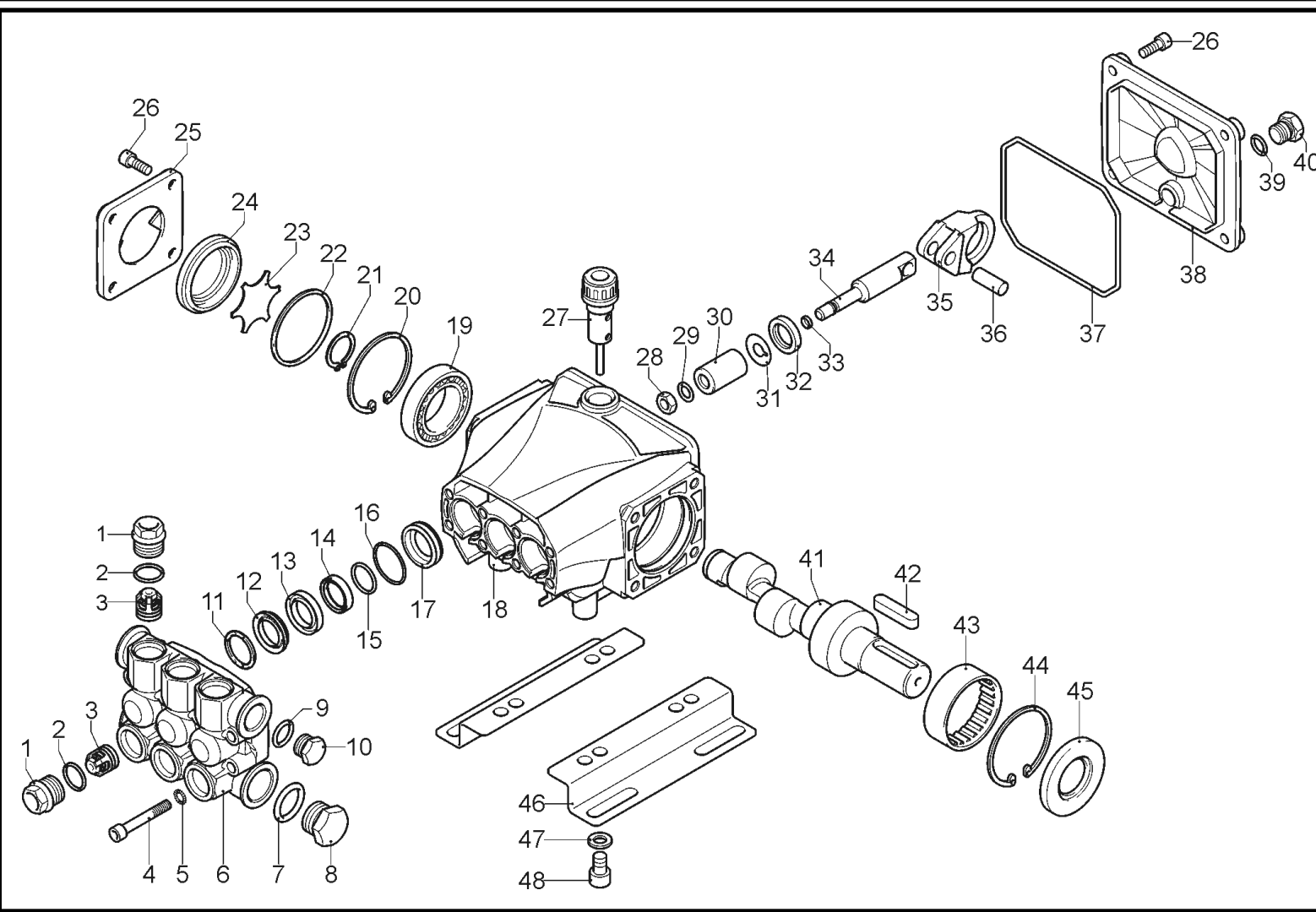
Ref.	K	Part N.	Customer Part N.	Description	Qty	Validity:		Price
						From	To	
0001		VTVR46568		SPINA G 4500	1,00			--
0004		MPVR40157		COPERCHIO G 4500 2V.	1,00	05/2008		--
0004		MPVR46563		COPERCHIO G 4500	1,00		04/2008	--
0005		MPVR46572		DISTANZIALE P 330 ST	1,00			--
0006		LCPR40007		TUBO 1/4 L=352 ZC. 2V.	1,00	05/2008		--
0006		LCPR46571		TUBO 1/4 L=352 ZC.	1,00		04/2008	--
0008		MPVR46569		TARGETTA G 4500 RD.	1,00			--
0009		MPVR40057		GRILLETTO G 4500 -SW	1,00			--
0010		PVVR40030		PISTONCINO TM ST-2300	1,00			--
0011		GUGO10384		O-RING D. 10 X 2.2 VIT 80SH	1,00			--
0012		RCVR13030		SPINOTTO G 1/4 F L=31.5	1,00			--
0013		GUVR10526		ANELLO ANTIES. D.13.9X10.2 C.BZ	1,00			--
0014		MPVR46570		PROTEZIONE P 330 ST	1,00			--
0015		PVVR13445		GIRELLO M 22X1,5 L=45	1,00			--
0016		MPVR40058		GHIERA G4500 SW.	1,00			--
0017		RCIN40001		INNESTO SWIV 4500 3/8"F	1,00		04/2008	--
0017		RCIN40005		INNESTO SWIV 4500 3/8"F 2V.	1,00	05/2008		--
0018		RCIN31641		RACCORDO SWIV 1500 F	1,00			--
0019		KTRI31645		KIT P 26- 14	1,00			--
0021		PVVR40031		ASTA ST-2300	1,00			--
0022		MPVR40156		GUSCIO G 4500 2V.	1,00	05/2008		--
0022		MPVR46562		GUSCIO G 4500	1,00		04/2008	--
0023		PVVR40023		TUBO G 1/4" M/M P/SW.	1,00			--
0024		GUGO27021		O-RING D. 11 X 2.5 EPD 70SH	1,00	05/2008		--



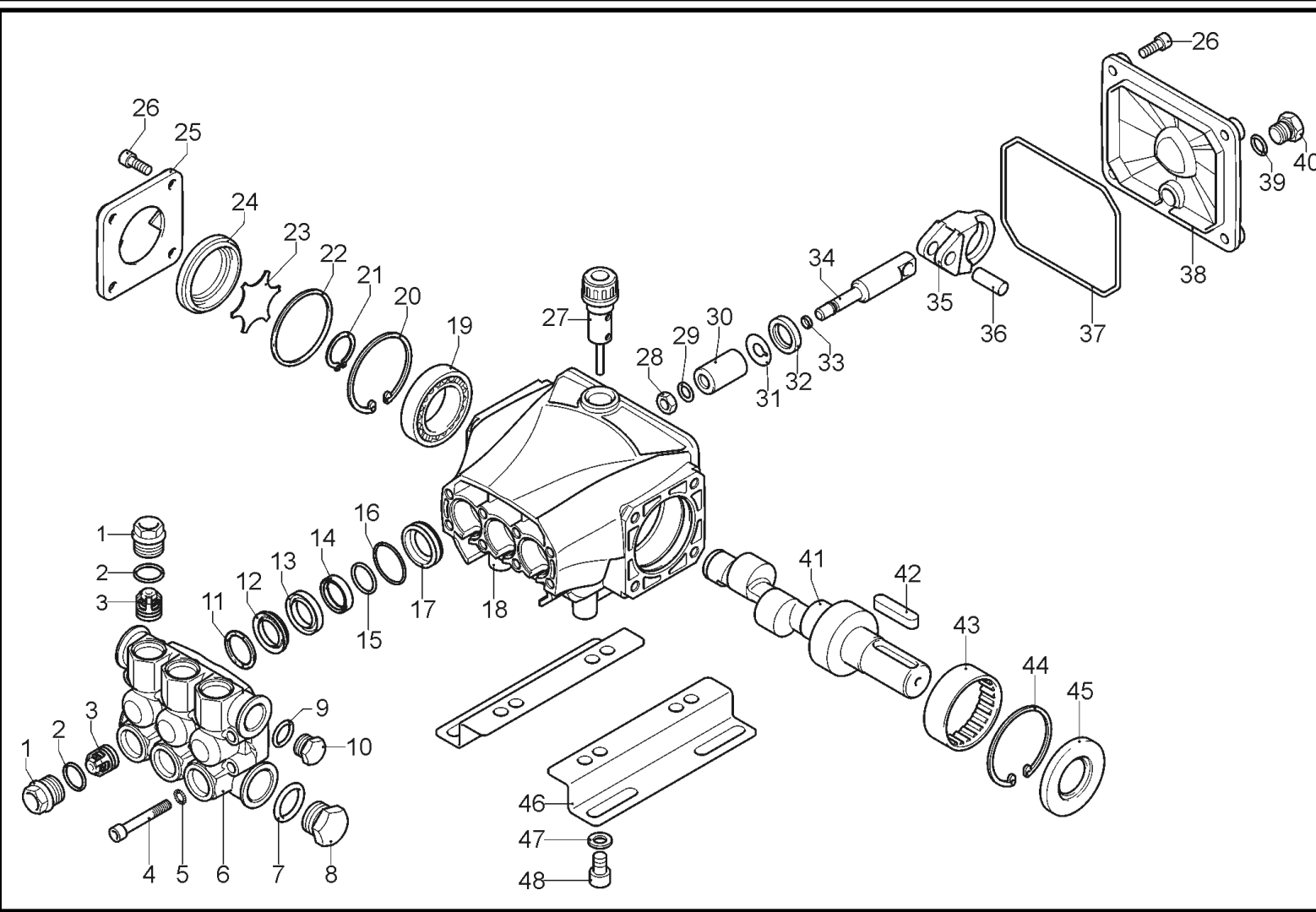
Ref. K	Part N.	Customer Part N.	Description	Qty	Validity:		Price
					From	To	
0001	PVVR45296		ATTACCO G 1/4M -M22 M +PR.PLS	1,00			--
0002	MPVR45214		PROTEZIONE TB.1/4 MTM	1,00			--
0003	RCGR45737		RUBINETTO 1/4 F LD MTM	1,00			--
0004	LCPR45740		TUBO 1/8 L=660 INOX MTM	2,00			--
0005	MPVR45001		GUSCIO LD MTM	1,00			--
0006	RCVR45741		PORTAUGELLO 1/4-1/8 F MTM	2,00			--
0007	PVVR43810		PROTEZIONE L.D. MTM	1,00			--



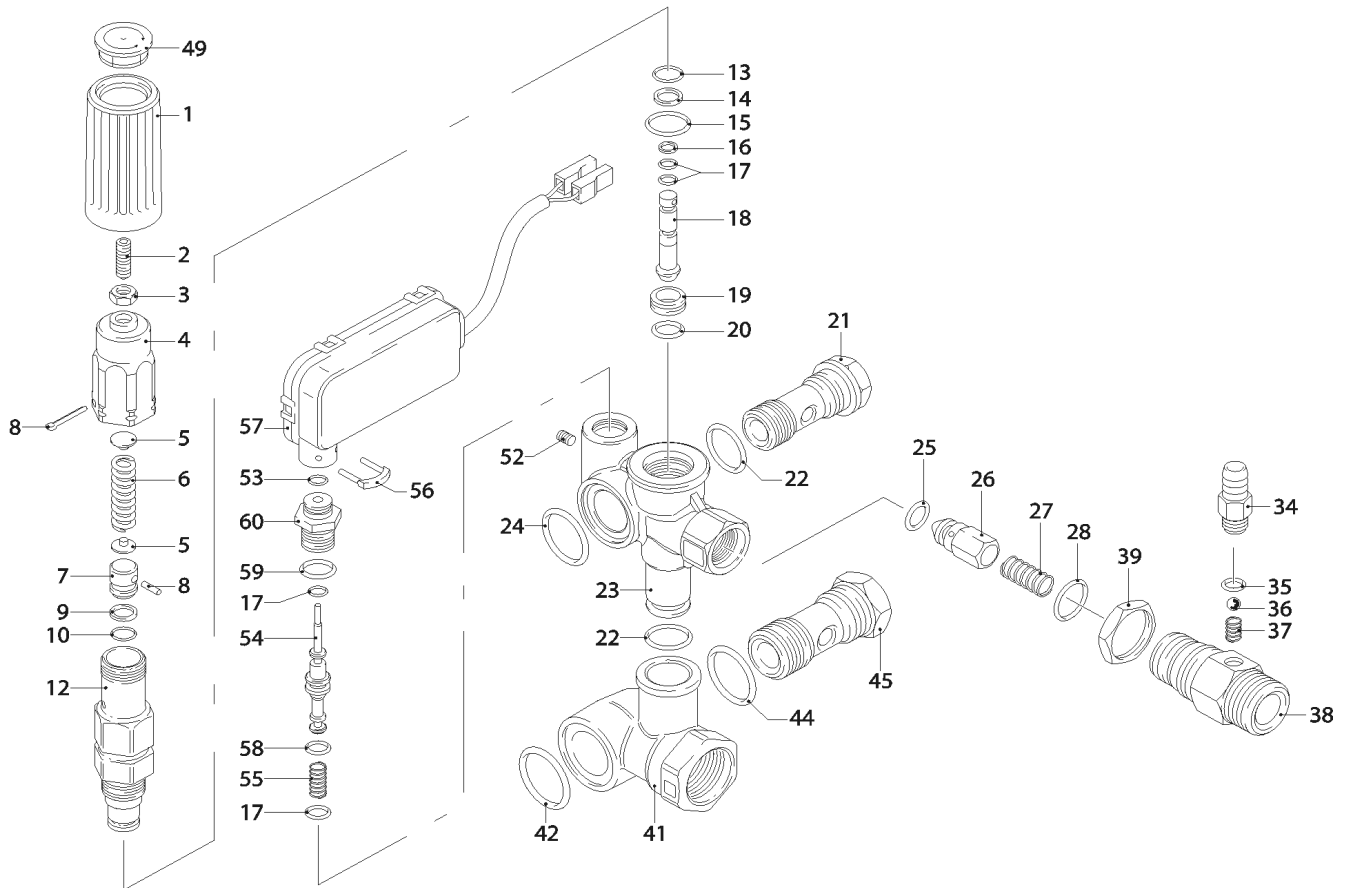
Ref.	K	Part N.	Customer Part N.	Description	Qty	Validity: From To	Price
0001		PVVR40120		TAPPO AR RC	6,00		--
0002		GUGO03505		O-RING D. 15.6 X 1.78 NBR 70SH	6,00		--
0003	S	VVAM40002		GRUPPO VALVOLA RC	6,00		--
0004		VTVT01531		VITE TE 6X 16 UNI 5739	8,00		--
0005		VTRS00503		ROSETTA D. 6 TE UNI 6798	8,00		--
0006		MFVR40019		TESTATA AR RC OT.	1,00		--
0007		GUGO19245		O-RING D. 17.5 X 2 NBR 70SH	1,00		--
0008		PVVR40121		TAPPO 1/2 M RC	1,00		--
0009		GUGO09720		O-RING D. 14 X 1.78 NBR 70SH	1,00		--
0010		PVVR40099		TAPPO 3/8 M HRM	1,00		--
0011	S	PVVR40122		ANELLO DI TESTAD. 18 RC	3,00		--
0012	S	GUVR40035		ANELLO TENUTA D. 18 RC H.P.	3,00		--
0013		PVVR40123		ANELLO INTERM. D. 18 RC	3,00		--
0014	S	GUVR40036		ANELLO TENUTA D. 18 RC L.P.	3,00		--
0015	S	GUVR40037		ANELLO ANTIES. D.20	3,00		--
0016	S	GUGO19290		O-RING D. 23.52 X 1.78 NBR 70SH	3,00		--
0017		PVVR40124		ANELLO DI FONDOD. 18 RC	3,00		--
0018		MFVR40020		CARTER POMPA AR RC	1,00		--
0019		CUVR14408		CUSCIN.A SFERE 6304-2RS1	1,00		--
0020		VTAE32478		ANELLO ELASTICOD. 32 UNI 7437	1,00		--
0021		VTAE06193		ANELLO ELASTICOD. 20 UNI 7435	1,00		--
0022		GUGO02561		O-RING D. 47.5 X 2.62 NBR 70SH	1,00		--
0023		PVVR40125		DISCO RC	1,00		--
0024		PVVR40126		SPIA OLIO RC	1,00		--
0025		MFVR40021		COPERCH. CARTERAR RC LT.	1,00		--
0026		VTVT01531		VITE TE 6X 16 UNI 5739	8,00		--
0027		PVVR19231		TAPPO OLIO XTS	1,00		--
0028		VTDD00483		DADO M 8 ZIN UNI 5588	3,00		--
0029		VTRS19394		ROSETTA D. 8X13X0.5	3,00		--
0030	S	PIVR40005		PISTONE D.18X30 RC	3,00		--
0031		PVVR19233		DISCO XTS	3,00		--
0032	S	GUGO09690		ANELLO RADIALE 15X 24X 5 NBR70	3,00		--
0033		GUGO08071		O-RING D. 4.48 X 1.78 NBR 70SH	3,00		--
0034		PVVR40127		GUIDA PISTONE RC	3,00		--
0035		BLVR40001		BIELLA RC	3,00		--
0036		PVVR40128		SPINOTTO D. 9X23 RC	3,00		--
0037		GUGO18695		O-RING D. 101.27 X 2.62 NBR 70SH	1,00		--
0038		MFVR40022		COPERCH. CARTERAR RC	1,00		--
0039		GUGO01036		O-RING D. 10.82 X 1.78 NBR 70SH	1,00		--



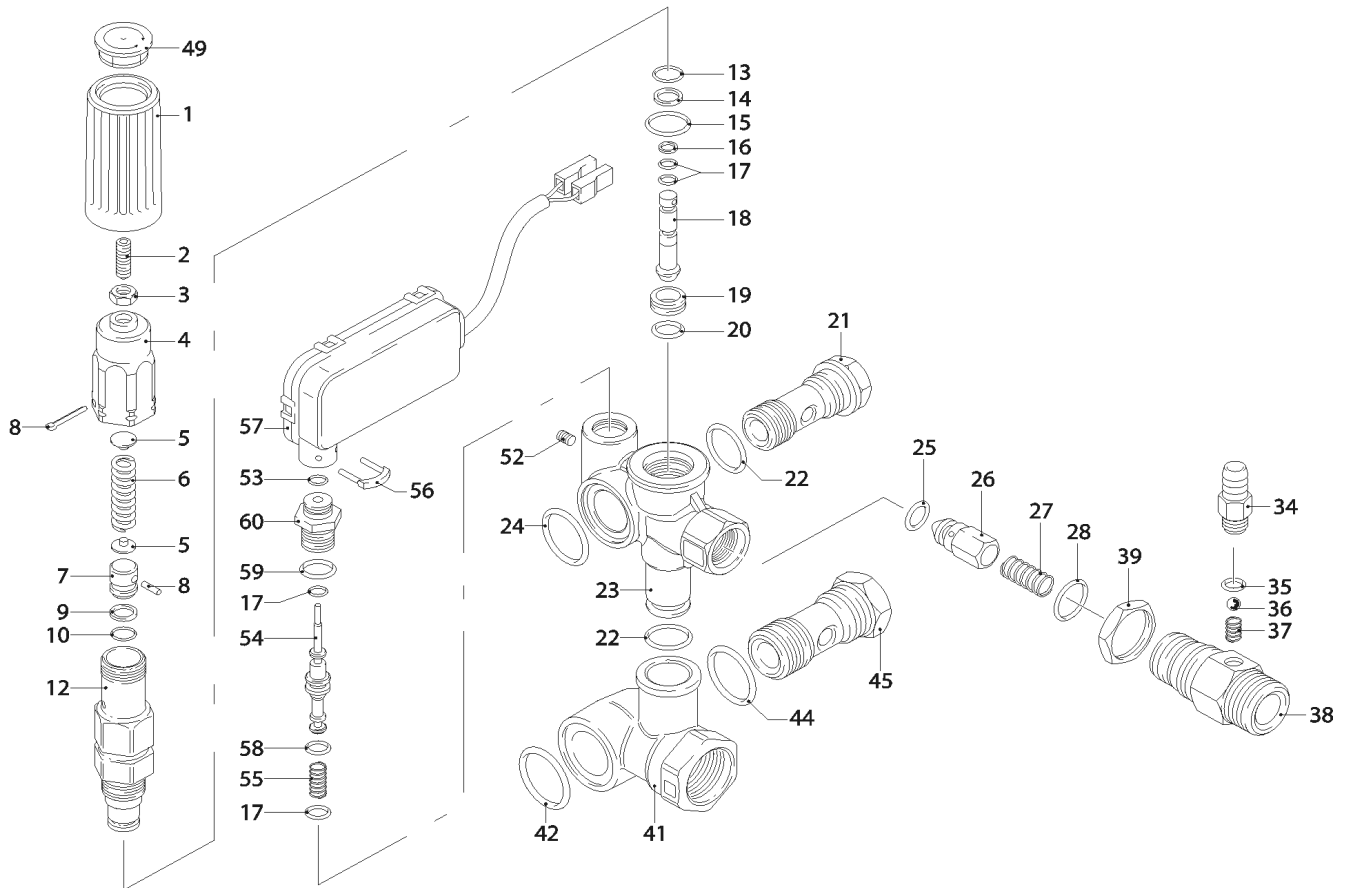
Ref.	K	Part N.	Customer Part N.	Description	Qty	Validity:		Price
						From	To	
0040		PVVR40129		TAPPO 3/8 M RC	1,00			--
0041		ALMO40006		ALBERO AR RC 14LT VRS. N	1,00			--
0042		VTVR41531		LINGUETTA 8X 7X35 UNI 6604A	1,00			--
0043		CUVR23636		CUSCIN.A RULLI HK 4516	1,00			--
0044		VTAE06193		ANELLO ELASTICOD. 20 UNI 7435	1,00			--
0045	S	GUGO00999		ANELLO RADIALE 25X 52X 7 NBR70	1,00			--



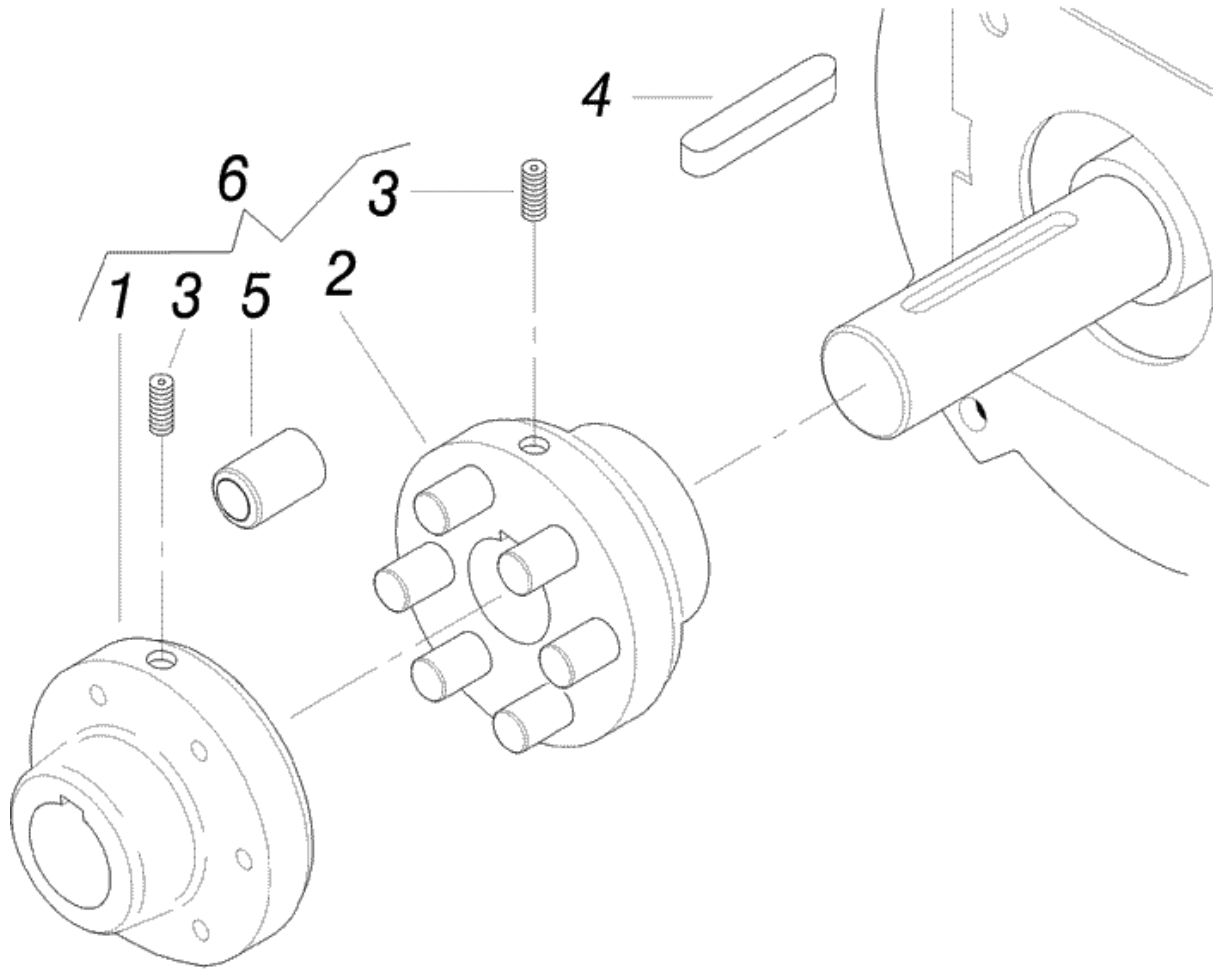
Ref. Part N.	Cust. Part N.	Description	Reference	Price
KTRI40092		KIT P 15-2186 RC	0003	--
KTRI40093		KIT P 15-42467 RC	0030	--
KTRI40094		KIT P 15-42464 D.18 RC	0012 0014 0015 0016	--
KTRI40095		KIT P 15-2745 D.18 RC	0011	--
KTRI40096		KIT P 15-42468 RC	0032 0045	--



Ref. K	Part N.	Customer Part N.	Description	Qty	Validity: From To	Price
0001	MPVR40162		POMOLO AR XJS	1,00	--	--
0002	VTVT19524		VITE EI-ST 6X16 UNI 5923	1,00	--	--
0003	VTDD00482		DADO M 6 ZIN UNI 5588	1,00	--	--
0004	PVVR40133		REGISTRO AR M.MATIC	1,00	--	--
0005	PVVR40067		PIATTELLO MOLLAAR XJS	2,00	--	--
0006	MLML40007		MOLLA D. 8 XJS	1,00	--	--
0007	PVVR40068		PISTONCINO AR XJS SP.	1,00	--	--
0008	VTVR19193		SPINA D. 2.5X10	2,00	--	--
0009	GUVR40026		ANELLO ANTIES. D. 8	1,00	--	--
0010	GUGO06698		O-RING D. 8 X 3.5 NBR 70SH	1,00	--	--
0012	PVVR40069		GUIDA PISTONE AR XJS	1,00	--	--
0013	GUGO09720		O-RING D. 14 X 1.78 NBR 70SH	1,00	--	--
0014	GUGO12490		O-RING D. 8.74 X 1.78 NBR 70SH	1,00	--	--
0015	GUGO02259		O-RING D. 15.54 X 2.62 NBR 70SH	1,00	--	--
0016	GUVR40027		ANELLO ANTIES. D. 3	1,00	--	--
0017	GUGO19189		O-RING D. 2.90 X 1.78 NBR 70SH	4,00	--	--
0018	PVVR40070		PISTONCINO COM.AR XJS IF.	1,00	--	--
0019	PVVR40071		SEDE VALVOLA AR XJS	1,00	--	--
0020	GUGO41692		O-RING D. 9 X 1 NBR 70SH	1,00	--	--
0021	RCDS40068		VITE CAVA G 3/8 M.MATIC 4/B OT.	1,00	--	--
0022	GUGO01047		O-RING D. 11.91 X 2.62 NBR 70SH	2,00	--	--
0023	PVVR40134		CORPO VALVOLA M.MATIC 4/B TSS	1,00	--	--
0024	GUGO19395		O-RING D. 20.24 X 2.62 NBR 70SH	1,00	--	--
0025	GUGO12494		O-RING D. 4 X 2.5 -NBR 70SH	1,00	--	--
0026	PVVR40074		OTTURATORE N.RIT. XJS	1,00	--	--
0027	MLML32257		MOLLA D. 6.5 X14 D.0.5	1,00	--	--
0028	GUGO11652		O-RING D. 12.42 X 1.78 NBR 70SH	1,00	--	--
0034	PVVR40135		PORTAGOMMA M.MATIC 4/B IN.	1,00	--	--
0035	GUGO08071		O-RING D. 4.48 X 1.78 NBR 70SH	1,00	--	--
0036	SFVR04274		SFERA D. 7/32	1,00	--	--
0037	MLML40008		MOLLA D. 4	1,00	--	--
0038	RCDS40074		NIPPLO G 3/8 D. 2 M.MATIC 4/B	1,00	--	--
0039	VTDD40003		CONTRODADO G 3/8	1,00	--	--
0041	PVVR40131		RACCORDO M.MATIC 4/B	1,00	--	--
0042	GUGO76542		O-RING D. 23.47 X 2.62 NBR 70SH	1,00	--	--
0044	GUGO01058		O-RING D. 17.17 X 1.78 NBR 70SH	1,00	--	--
0045	RCDS40070		VITE CAVA G 1/2 M.MATIC 4/B	1,00	--	--
0049	MPVR40163		TAPPO AR XJS	1,00	--	--
0052	VTVT40019		VITE M 3X 5 EI-ST UNI 5923	1,00	--	--



Ref. K	Part N.	Customer Part N.	Description	Qty	Validity:		Price
					From	To	
0053	GUGO19207		O-RING D. 1.78 X 1.78 NBR 70SH	1,00			--
0054	PVVR40136		PISTONCINO COM.AR TSS M.MTC	1,00			--
0055	MLML40017		MOLLA D. 8.7 X15.9 D.1.2	1,00			--
0056	LAFN40212		SPINA "U" AR TSS	1,00			--
0057	MEPF40005		PRESSOSTATO AR TSS 220V N.A.	1,00			--
0058	GUGO12489		O-RING D. 6.07 X 1.78 NBR 70SH	1,00			--
0059	GUGO03496		O-RING D. 9.25 X 1.78 NBR 70SH	1,00			--
0060	PVVR40137		GUIDA PISTONE AR TSS M.MATIC	1,00			--



Ref. K	Part N.	Customer Part N.	Description	Qty	Validity:		Price
					From	To	
0001	FGGT46926		SEMIGIUNTO W1	1,00			--
0002	FGGT40000		SEMIGIUNTO W1 MOT.	1,00			--
0003	VTVT76580		VITE M 8X 10 EI ST UNI 5929 Z	2,00			--
0004	VTVR45821		LINGUETTA 8X 7X22 UNI 6604	1,00			--
0005	FGGT04612		BOCCOLA IP	6,00			--
0006	FGGT45424		GIUNTO ELASTICOW 1 2PZ. P176	1,00			--