

# PARTS LIST

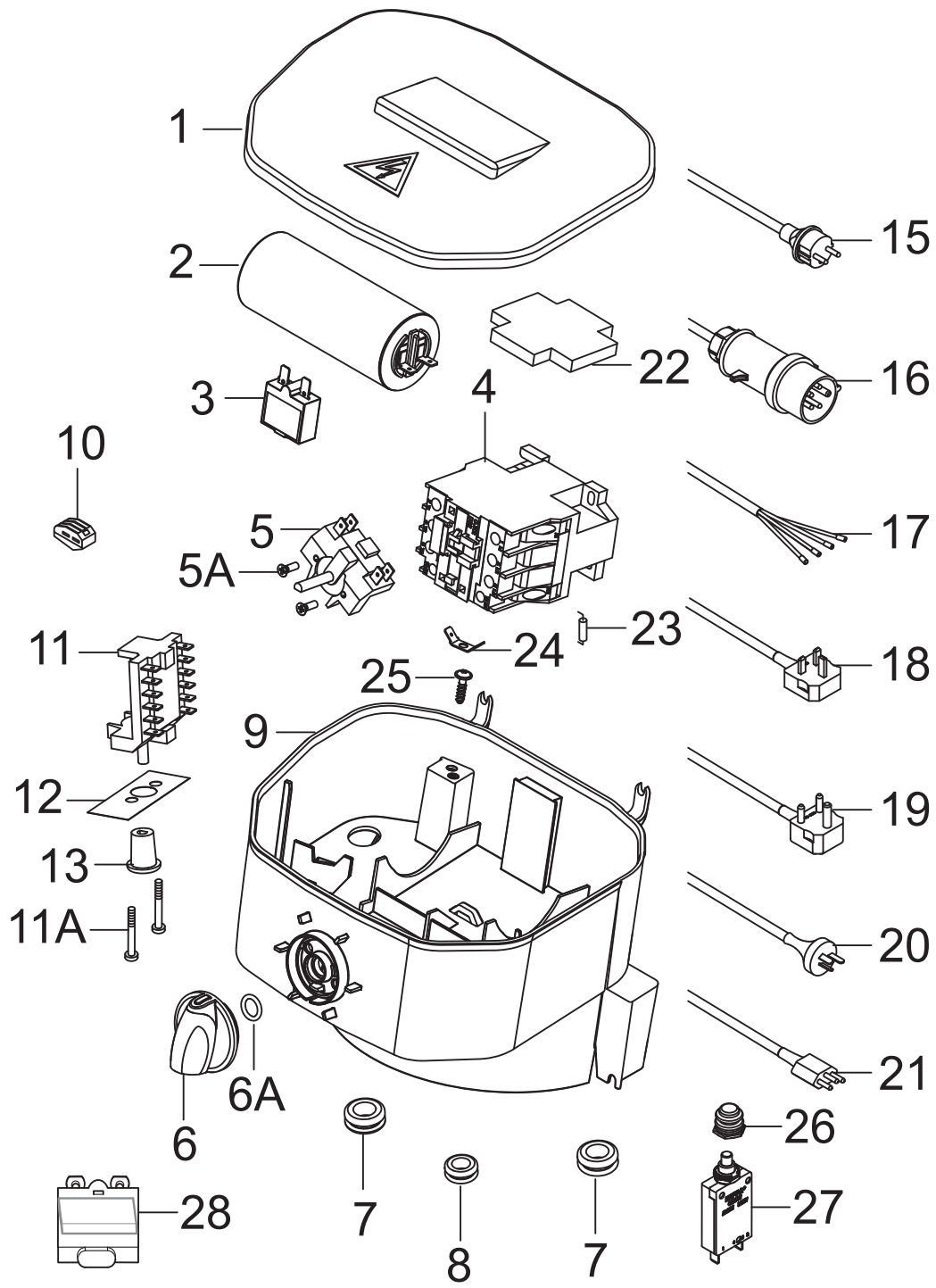


2021.04.15

# TABLE OF CONTENTS

---

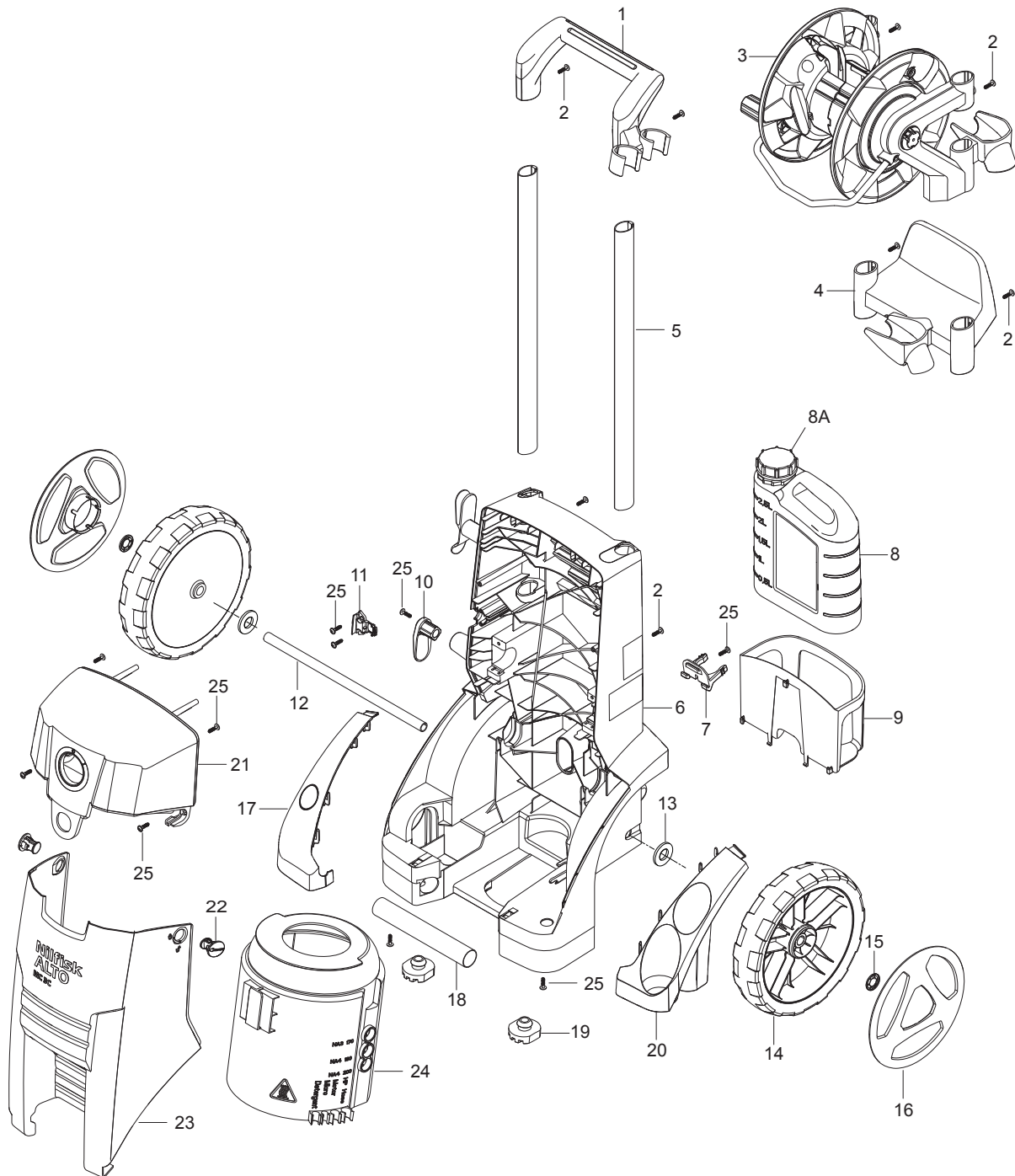
|  |    |
|--|----|
| Electric box .....                                 | 1  |
| Overview .....                                     | 3  |
| 107145803 - Hose reel MC3, MC4 .....               | 5  |
| Pump without easy start and without injector ..... | 7  |
| Recommended spare part .....                       | 9  |
| Motor MC3 .....                                    | 11 |
| Default accessories .....                          | 13 |



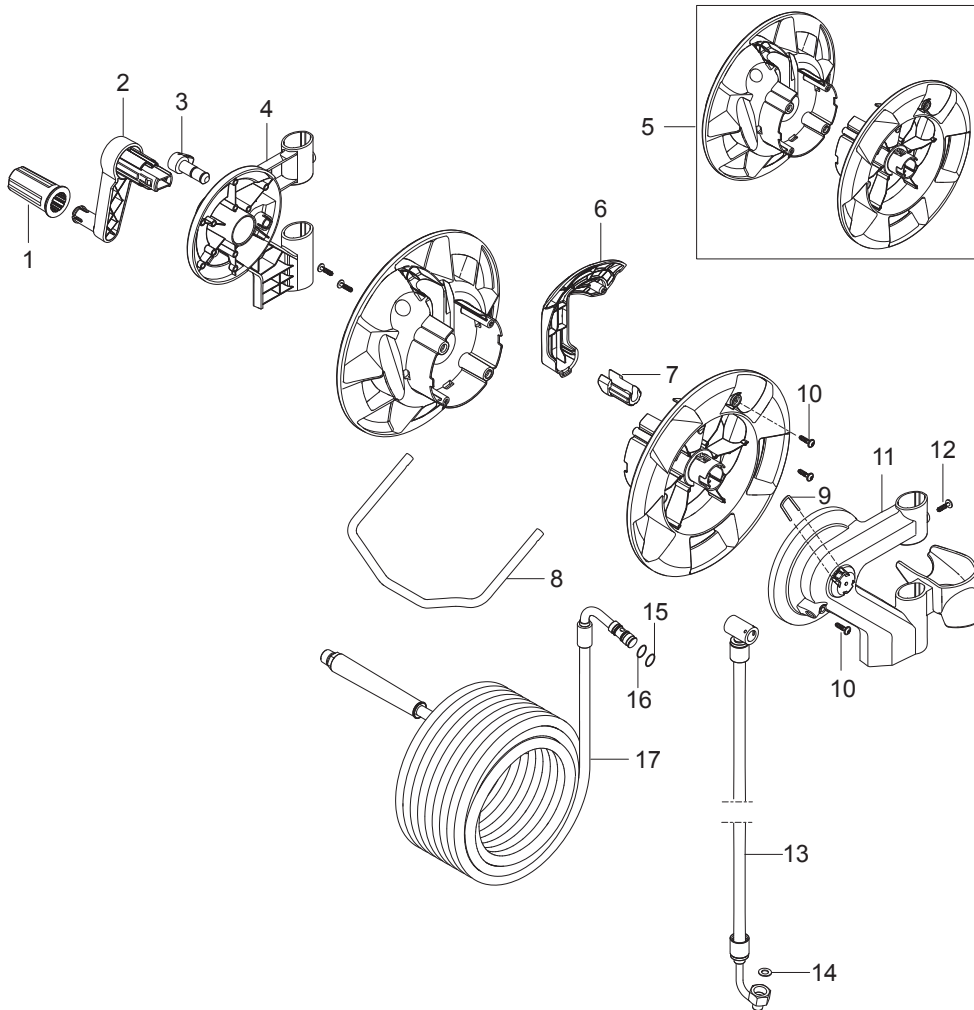
| Pos. | Réf article | Qté | Désignation                              | Notes |
|------|-------------|-----|--|-------|
| 1    | 107142547   | 1   | COUVERCLE BOITIER ELECTRIQUE MC 3-4      |       |
| 2    | 301002320   | 1   | CONDENSATEUR 70MF /450V P0 FSH6.3        | [1]   |
| 3    | 107142548   | 1   | PROTECTION 16A TYP 2-5700-IG2-P10-DD-16A | [2]   |
| 3    | 301002322   | 1   | PROTECTION 16AMPS TYPE 1658              |       |
| 4    | 103822300   | 1   | CONTACTEUR CJX2-D12 12A 400V 3P+NO       |       |
| 4    | 103822304   | 1   | CONTACTEUR CJX2-D18 18A 230V 3P+NO       | [3]   |
| 4    | 63905       | 1   | CONTACTEUR ÉLECTROMAGNÉTIQUE 3X200/230 V | [4]   |
| 5    | 301001058   | 1   | INTERRUPTEUR 0-1 10A 400VAC              |       |
| 5A   | 18274       | 2   | VIS TETE FRAISEE M4X12                   |       |
| 6    | 909100204   | 1   | BOUTON TOURNANT 6X5 BLUE                 |       |
| 6A   | 9868        | 1   | JOINT TORIQUE 10.2X2.5 NBR 70            |       |
| 7    | 301002284   | 2   | PASSE FIL                                |       |
| 8    | 3803772     | 1   | CABLE PASSE FILS TET 7-10C               |       |
| 9    | 107142550   | 1   | CORPS BOITIER ELECTRIQUE MC 3-4          |       |
| 10   | 301001229   | 1   | CONNECTEUR GRIP GRIS 3X4QMM 400V 24A     |       |
| 11   | 64579       | 1   | COMMUTATEUR Y/16A                        |       |
| 11A  | 3389        | 2   | VIS M4X20 ISO 1207 ZN                    |       |
| 12   | 107142551   | 1   | AUTOCOLLANT 230-400V 74X28               |       |
| 13   | 64580       | 1   | BOUTON TOURNANT                          | [5]   |
| 15   | 107146542   | 1   | POWER C. H07RN-F 3G1,5X6M CEE 7 1PH SPPT | [6]   |
| 16   | 107142553   | 1   | CABLE ALIMENT H07RN-F4G1.5X6M. CEE 5 3 P | [7]   |
| 17   | 107142554   | 1   | CABLE ALIMENT H07RN-F4G1.5X6M.Y/D 3PH    | [8]   |
| 18   | 107146545   | 1   | POWER C. H07RN-F 3G1,5X6M BS 1PH SPPT    | [9]   |
| 19   | 107142556   | 1   | CABLE ALIMENT H07RN-F3G1.5X6M SABS 164 1 | [10]  |
| 20   | 107146546   | 1   | POWER C. H07RN-F 3G1,5X6M 1PH T.P SPPT   | [11]  |
| 21   | 107146543   | 1   | POWER C. H07RN-F 3G1,5X6M 1PH SPPT       | [12]  |
| 22   | 64773       | 1   | CONTACT AUXILIAIRE 100-SBL11             |       |
| 23   | 301000074   | 1   | RESISTANCE 470 OHM 3W                    |       |
| 24   | 107142559   | 1   | COSSE DOUBLE MALE DE TERRE 45 DEGRES     |       |
| 25   | 107141838   | 1   | VIS K50X18 WN1451 NOIR TORX20            |       |
| 26   | 107142564   | 1   | PROTECTION CAP ETA TYPE X 200 801 08     | [13]  |
| 27   | 107142548   | 1   | PROTECTION 16A TYP 2-5700-IG2-P10-DD-16A | [13]  |
| 28   | 107143309   | 1   | FUSE ETA 16A W/FOAM AND ADHESIVE         | [14]  |
| NS   | 107146778   | 1   | MC 3-4 1PH REWORK KIT                    |       |
| NS   | 107146547   | 1   | WIRE BROWN 1,5MM2 200MM SPPT             | [15]  |
| NS   | 107146548   | 1   | WIRE BLUE 1,5MM2 200MM SPPT              | [15]  |
| NS   | 107146549   | 1   | WIRE BLACK 1,5MM2 140 MM SPPT            | [15]  |

## Part Notes:

- [1] - ECN-1009971
- [2] - UNITOR HPC 3C - 150/660
- [3] - UK, EXPT
- [4] - 220/440/3/60 EXPT, 230/400/3/50 NO
- [5] - TSB-PPW-2016-007 Rotary knob for Voltage selector switch 230V-400V must be sealed with lacquer  
DE TSB-PPW-2016-007 Drehknopf des Spannungsauswahlschalters 230V-400V muss mit Lack versiegelt werden
- [6] - MC 4M-140/620 EU, MC 3C-140/660 EU
- [7] - MC 3C-160/770 , MC 4M-180/740, MC 4M-160/720
- [8] - MC 3C-170/820, MC 4M-180/740, MC 4M-160/720
- [9] - MC 4M-100/770 UK, MC 4M-140/620 UK, MC 3C-150/570 UK, MC 3C-140/570 UK
- [10] - MC 4M-160/620 (ZA)
- [11] - MC 4M-160/620 (AU)
- [12] - 220/1/60 (BR)
- [13] - UNITOR
- [14] - UK, 1ph
- [15] - 1ph - part of rework kit



| Pos. | Réf article | Qté | Désignation                             | Notes |
|------|-------------|-----|---|-------|
| 0    | 107142623   | 1   | LOT DE 10 CARTONS NILFISK MC 3C - MC 4M |       |
| 1    | 107142500   | 1   | POIGNEE MC 3-4                          |       |
| 2    | 909100425   | 4   | VIS M6X12 CE T30 DIN 7500 ST/ZN         |       |
| 3    | 107142536   | 1   | ENROULEUR MC 3-4                        |       |
| 4    | 107142501   | 1   | SUPPORT FLEXIBLE MC 3-4                 |       |
| 5    | 107142502   | 2   | PROFILE ALU 25X35 MC 3-4                |       |
| 6    | 107142503   | 1   | CHASSIS MC 3-4                          |       |
| 7    | 107142504   | 1   | SUPPORT DE CANON A MOUSSE               |       |
| 8    | 107141635   | 1   | BIDON A DETERGENT 2.5 L SANS BOUCHON    |       |
| 8A   | 107141664   | 1   | BOUCHON POUR BIDON A DETERGENT          |       |
| 9    | 107142505   | 1   | SUPPORT DE BIDON DETERGENT 2.5L         |       |
| 10   | 107142507   | 1   | SUPPORT DE CABLE PIVOTANT MC 3-4        |       |
| 11   | 107142509   | 1   | SERRE CABLE MC 3-4                      |       |
| 12   | 301002304   | 1   | AXE 15X1.5                              |       |
| 13   | 909100426   | 2   | RONDELLE 16 17X30X30 DIN 34815 PA       |       |
| 14   | 107142510   | 2   | ROUE 250x55                             |       |
| 15   | 11710       | 2   | BAGUE D'ARRET Ø15                       |       |
| 16   | 107142511   | 2   | ENJOLIVEUR DE ROUE 250X55 NILFISK       |       |
| 17   | 107142515   | 1   | COUVRE ROUE DROIT MC 3-4                |       |
| 18   | 107142517   | 1   | POIGNEE - ALU AVANT                     |       |
| 19   | 301002301   | 2   | FOOT POSEIDON 3                         |       |
| 20   | 107142518   | 1   | COUVRE ROUE GAUCHE MC 3-4               |       |
| 21   | 107142520   | 1   | CAPOT BOITIER ELECTRIQUE MC 3-4         |       |
| 22   | 301000584   | 2   | VERROU DE CAPOT D29X28                  |       |
| 23   | 107142522   | 1   | CAPOT MC 3C                             |       |
| 24   | 107142525   | 1   | COUVRE MOTEUR                           |       |
| 25   | 107141838   | 10  | VIS K50X18 WN1451 NOIR TORX20           |       |

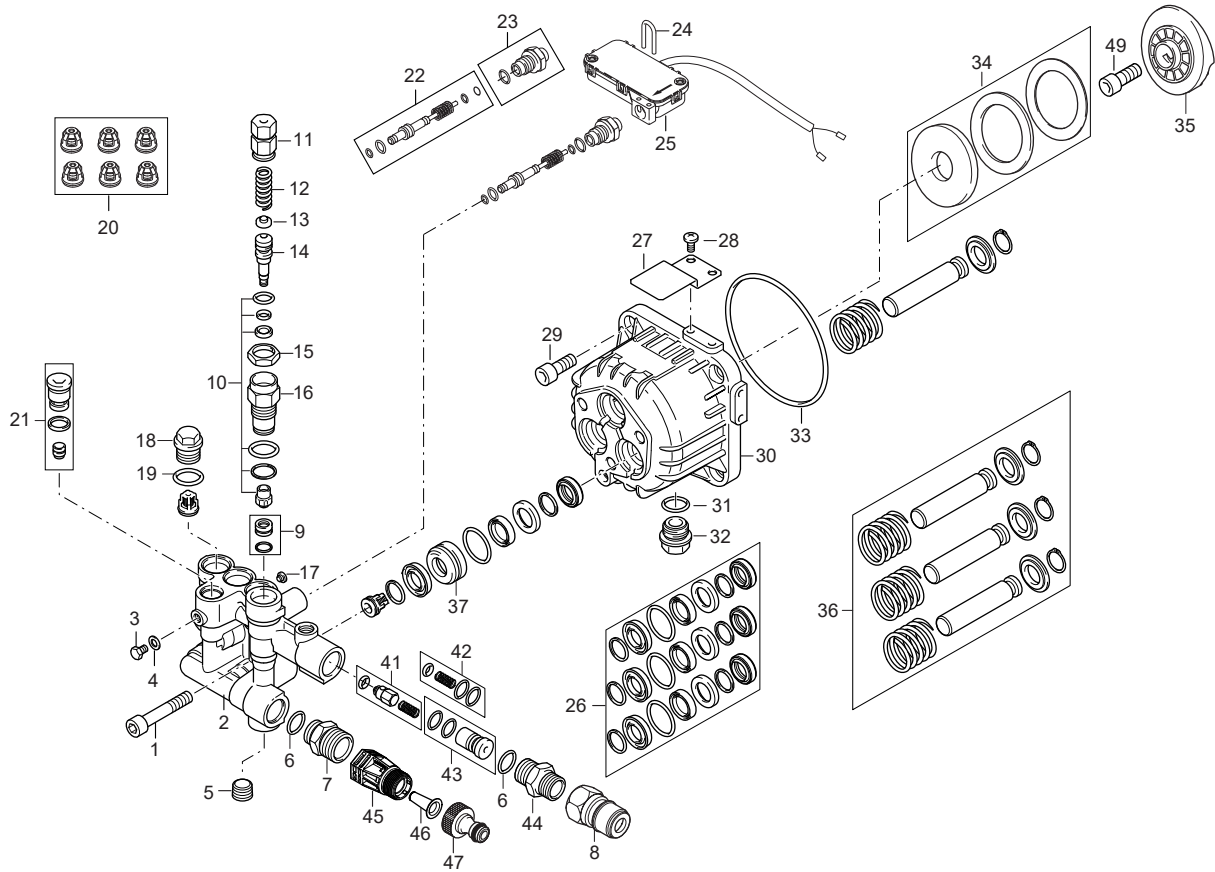


| Pos. | Réf article | Qté | Désignation                              | Notes |
|------|-------------|-----|--|-------|
|      |             |     | MI - 106409224 Hose guide MC 3C MC 4M    | [1]   |
|      |             |     | MI - 106409225 Hose reel MC 3C MC 4M     | [2]   |
| 0    | 107145803   | 1   | KIT ENROULEUR AV.FLEXIBLE 15M POUR MC3-4 |       |
| 1    | 107142530   | 1   | POIGNEE D'ENROULEUR MC 3-4               |       |
| 2    | 107142532   | 1   | MANIVELLE D'ENROULEUR MC 3-4             |       |
| 3    | 107142533   | 1   | DOIGT DE BLOCAGE D'ENROULEUR MC 3-4      |       |
| 4    | 107142535   | 1   | SUPPORT D'ENROULEUR DROIT MC 3-4         |       |
| 5    | 107142536   | 1   | ENROULEUR MC 3-4                         |       |
| 6    | 107142537   | 1   | CACHE DU RACCORD MC 3-4                  |       |
| 7    | 107142538   | 1   | GUIDE DU RACCORD D'ENROULEUR MC 3-4      |       |
| 8    | 107142539   | 1   | HOSE GUIDE MC 3-4                        |       |
| 9    | 128500592   | 1   | EPINGLE DE FIXATION                      |       |
| 10   | 107141838   | 5   | VIS K50X18 WN1451 NOIR TORX20            |       |
| 11   | 107142540   | 1   | SUPPORT D'ENROULEUR GAUCHE MC 3-4        |       |
| 12   | 909100425   | 2   | VIS M6X12 CE T30 DIN 7500 ST/ZN          |       |
| 13   | 107142541   | 1   | FLEXIBLE DN8 LIAISON D'ENROULEUR MC 3-4  |       |
| 14   | 65466       | 1   | JOINT CUIVRE 8X15X1 DIN7603 A            |       |
| 15   | 3004321     | 2   | JOINT TORIQUE 10X2                       |       |
| 16   | G200117     | 1   | KIT CONTRE JOINT D.10.7X14X1 PTFE 2PCS   | [3]   |
| 17   | 107142542   | 1   | FLEXIBLE HP 15M DN6 MC3-4 POUR ENROULEUR |       |

## Part Notes:

- [1] - MI - 106409224 Hose guide MC 3C MC 4M
- [2] - MI - 106409225 Hose reel MC 3C MC 4M
- [3] - CLOSED WHEN STOCK EMPTY





| Pos. | Réf article | Qté | Désignation                       | Notes |
|------|-------------|-----|-----------------------------------|-------|
| 1    | 31000942    | 1   | VIS M8x45                         |       |
| 2    | 31000943    | 1   | CULASSE                           |       |
| 3    | 301003035   | 1   | VIS M6                            |       |
| 4    | 31000944    | 2   | RONDELLE                          |       |
| 5    | 31000645    | 1   | BOUCHON EN 1/4 G                  |       |
| 6    | 31000945    | 1   | JOINT TORIQUE D14x2               |       |
| 7    | 31000946    | 1   | RACCORD 1/2INCH G M - 3/8INCH G M |       |
| 8    | 1600493     | 1   | RACCORD RAPIDE MALE HP EN 3/8     |       |
| 9    | 31000930    | 1   | SIEGE DE BY-PASS                  |       |
| 10   | 31000929    | 1   | KIT JOINTS D'EAU POUR UNLOADER    |       |
| 11   | 31000947    | 1   | VIS                               |       |
| 12   | 31000649    | 1   | RESSORT 10.62X6.08X2.8            |       |
| 13   | 31000630    | 1   | RONDELLE D'APPUI DU RESSORT       |       |
| 14   | 31000948    | 1   | PISTON                            |       |
| 15   | 31000949    | 1   | ECROU                             |       |
| 16   | 31000950    | 1   | BAGUE LAITON                      |       |
| 17   | 31000951    | 1   | BOUCHON                           |       |
| 18   | 31000952    | 1   | BOUCHON                           |       |
| 19   | 31000953    | 1   | JOINT TORIQUE D13.5x1.8           |       |
| 20   | 31000937    | 1   | KIT CLAPETS BP/HP                 |       |
| 21   | 31000927    | 1   | BOUCHON KIT                       |       |
| 22   | 31000986    | 1   | PISTON DE MICRO-SWITCH CPLT       |       |
| 23   | 31000987    | 1   | RACCORD DE MICRO-SWITCH           |       |
| 24   | 31000954    | 1   | CAVALIER POUR MICRO-RUPTEUR       |       |
| 25   | 107142680   | 1   | MICRO SWICth CPLT                 |       |
| 26   | 31000935    | 3   | KIT JOINTS D'EAU                  |       |
| 27   | 31000956    | 1   | SUPPORT                           |       |
| 28   | 31000957    | 1   | VIS 5x10                          |       |
| 29   | 301003063   | 1   | VIS M5X25                         |       |
| 30   | 31000958    | 1   | CORPS DE POMPE                    |       |
| 31   | 31000597    | 1   | JOINT TORIQUE Ø14X1.78            |       |
| 32   | 31000959    | 1   | BOUCHON 3/8INCH G PLASTIQUE       |       |
| 33   | 31001001    | 1   | JOINT TORIQUE Ø92X3               |       |
| 34   | 31000936    | 1   | ROULEMENT KIT                     |       |
| 35   | 31000960    | 1   | DISQUE OBLIQUE 12 DEG             | [1]   |
| 35   | 31000961    | 1   | DISQUE OBLIQUE 14 DEG             | [2]   |
| 36   | 31000938    | 1   | KIT PISTONS D14                   |       |
| 37   | 31000968    | 1   | BAGUE LAITON D14                  |       |
| 41   | 31000932    | 1   | CLAPET ANTIRETOUR                 |       |
| 42   | 31000941    | 1   | KIT ENTRETIEN INJECTEUR           |       |
| 43   | 31000933    | 2   | INJECTEUR ALTO                    |       |
| 44   | 31000969    | 1   | RACCORD 3/8INCH GM - 3/8INCH G M  |       |
| 45   | 107142566   | 1   | RACCORD D'ENTREE D'EAU            |       |
| 46   | 101117926   | 1   | FILTRE                            |       |
| 47   | 1402809     | 1   | RACCORD RAPIDE BP EN 3/4          |       |
| 49   | 1803337     | 1   | VIS M8X25                         |       |
| 49   | 1812296     | 1   | VIS                               |       |

## Part Notes:

[1] - MC 3C-170/820 220-440/3/60

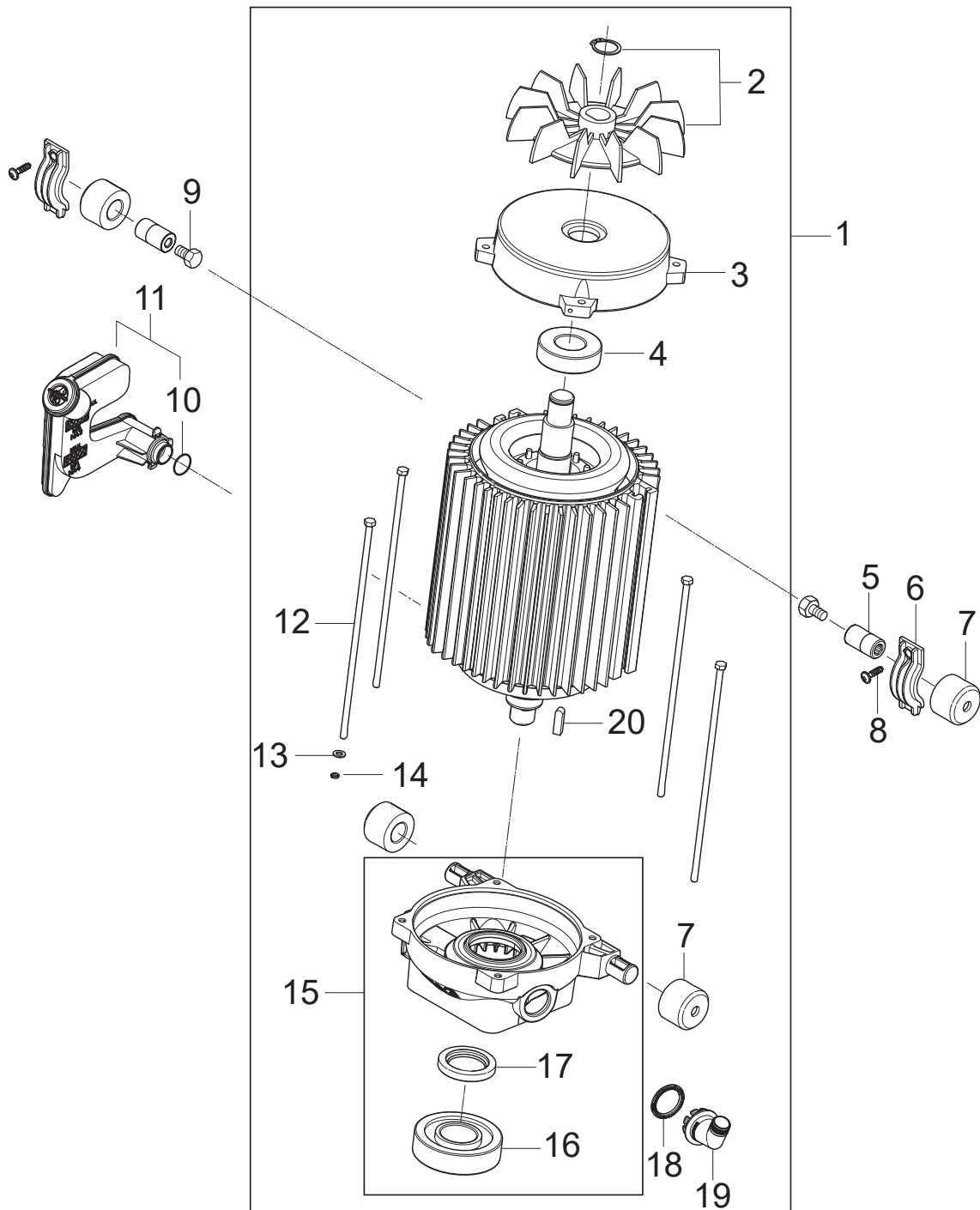
[2] - MC 3C-160/770 400/3/50 - MC 3C-170/820 400/3/50 - MC 3C-170/820 400/3/50 XT - MC 3C-170/820 230-400/3/50 XT NO



| Pos. | Réf article | Qté | Désignation                              | Notes |
|------|-------------|-----|--|-------|
| A    | 31000630    |     | RONDELLE D'APPUI DU RESSORT              |       |
| A    | 31000649    |     | RESSORT 10.62X6.08X2.8                   |       |
| A    | 31000928    |     | CLAPET DE DEMARRAGE                      |       |
| A    | 31000929    |     | KIT JOINTS D'EAU POUR UNLOADER           |       |
| A    | 31000932    |     | CLAPET ANTIRETOUR                        |       |
| A    | 31000933    |     | INJECTEUR ALTO                           |       |
| A    | 31000935    |     | KIT JOINTS D'EAU                         |       |
| A    | 31000937    |     | KIT CLAPETS BP/HP                        |       |
| A    | 31000941    |     | KIT ENTRETIEN INJECTEUR                  |       |
| A    | 31000948    |     | PISTON                                   |       |
| A    | 31000968    |     | BAGUE LAITON D14                         |       |
| A    | 31001001    |     | JOINT TORIQUE Ø92X3                      |       |
| A    | 65466       |     | JOINT CUIVRE 8X15X1 DIN7603 A            |       |
| A    | 3004321     |     | JOINT TORIQUE 10X2                       |       |
| A    | 107142541   |     | FLEXIBLE DN8 LIAISON D'ENROULEUR MC 3-4  |       |
| A    | 107142542   |     | FLEXIBLE HP 15M DN6 MC3-4 POUR ENROULEUR |       |
| A    | 107142548   |     | PROTECTION 16A TYP 2-5700-IG2-P10-DD-16A |       |
| A    | 301002322   |     | PROTECTION 16AMPS TYPE 1658              |       |
| A    | 301003078   |     | JOINT D'HUILE                            |       |
| B    | 4029        |     | JOINT TORIQUE 18.0X2.5 DIN 3770 NBR70    |       |
| B    | 31000597    |     | JOINT TORIQUE Ø14X1.78                   |       |
| B    | 31000986    |     | PISTON DE MICRO-SWITCH CPLT              |       |
| B    | 31000987    |     | RACCORD DE MICRO-SWITCH                  |       |
| B    | 107142680   |     | MICRO SWICTH CPLT                        |       |
| B    | 31000959    |     | BOUCHON 3/8INCH G PLASTIQUE              |       |
| B    | 107145038   |     | HELICE VENTILATION AVEC CLIPS            |       |
| C    | 2753        |     | VIS M8X20 ISO 4017 ZN                    |       |
| C    | 31000927    |     | BOUCHON KIT                              |       |
| C    | 31000936    |     | ROULEMENT KIT                            |       |
| C    | 31000938    |     | KIT PISTONS D14                          |       |
| C    | 31000960    |     | DISQUE OBLIQUE 12 DEG                    |       |
| C    | 31000961    |     | DISQUE OBLIQUE 14 DEG                    |       |
| C    | 31000962    |     | DISQUE OBLIQUE 10 DEGRES                 |       |
| C    | 31000963    |     | DISQUE OBLIQUE 11.5 DEG                  |       |
| C    | 31000964    |     | DISQUE OBLIQUE 9.5 DEG                   |       |
| C    | 31000965    |     | WOBBLE DISC 9 DEG                        |       |
| C    | 107142544   |     | ECROU M8 X D17 X L31 INT. HEX 8          |       |
| C    | 301003080   |     | ROULEMENT 6205ZZ HELICE DE VENTIL.       |       |
| C    | 63905       |     | CONTACTEUR ÉLECTROMAGNÉTIQUE 3X200/230 V |       |
| C    | 103822303   |     | CONTACTEUR CJX2-D18 18A 400V 3P+NO       |       |
| C    | 301001058   |     | INTERRUPTEUR 0-1 10A 400VAC              |       |
| C    | 301002320   |     | CONDENSATEUR 70MF /450V P0 FSH6.3        | [1]   |
| C    | 301003079   |     | ROULEMENT 7305                           |       |

## Part Notes:

[1] - ECN-1009971



| Pos. | Réf article | Qté | Désignation                              | Notes |
|------|-------------|-----|--|-------|
| 0    | 31001082    | 1   | HUILE DE POMPE HP MP 80W-90 1LITRE       | [1]   |
| 1    | 31001003    | 1   | MOTEUR NA3 - 2.5KW/230V/50HZ/1PH         | [2]   |
| 1    | 31001004    | 1   | MOTEUR NA3 - 2.5KW/220V/60HZ/1PH         | [3]   |
| 1    | 31001005    | 1   | MOTEUR NA3 - 3.6KW/230/400V/50HZ/3PH     | [4]   |
| 2    | 107145038   | 1   | HELICE VENTILATION AVEC CLIPS            |       |
| 3    | 107145037   | 1   | FLASQUE ARRIERE MOTEUR                   |       |
| 4    | 301003080   | 1   | ROULEMENT 6205ZZ HELICE DE VENTIL.       |       |
| 5    | 107142544   | 2   | ECROU M8 X D17 X L31 INT. HEX 8          |       |
| 6    | 301002296   | 2   | BRIDE DE MAINTIEN DE SUSPENSION 25X66    |       |
| 7    | 107142545   | 4   | SUSPENSION D35 X D17 X L25               |       |
| 8    | 107141838   | 2   | VIS K50X18 WN1451 NOIR TORX20            |       |
| 9    | 2753        | 2   | VIS M8X20 ISO 4017 ZN                    |       |
| 10   | 107142589   | 1   | JOINT ID 16.7XOD 21.2XW 5 NBR 70 SHORE A |       |
| 11   | 107142546   | 1   | RESERVOIR D'HUILE MC 3-4                 | [5]   |
| 12   | 31000923    | 4   | COLONNETTE M5X200                        |       |
| 13   | 31000918    | 4   | RONDELLE D5.5XD10                        |       |
| 14   | 31000919    | 4   | RONDELLE D'ARRET D5.1XD7.7               |       |
| 15   | 31000926    | 1   | FLASQUE AVANT MOTEUR P3                  |       |
| 16   | 31001028    | 1   | ROULEMENT 7306                           |       |
| 17   | 301003078   | 1   | JOINT D'HUILE                            |       |
| 18   | 31000921    | 1   | JOINT ID 23.4XOD 31 D 2/3.5              |       |
| 19   | 31000922    | 1   | PRESSE-ETOUPE 23.5 SNAPON 110 DEG        |       |
| 20   | 101814798   | 1   | CLAVETTE 6 X 6 X 20 MM                   |       |
| 21   | 107142617   | 1   | SUPPORT RESERVOIR HUILE                  | [6]   |

## Part Notes:

- [1] - TSB-PPW-2016-016 MC 3C\_MC 4M\_MH 3M Pump oil no stock  
DE TSB-PPW-2016-016 MC 3C MC 4M MH 3M Pumpenöl nicht verfügbar  
0,42L - OIL TYPES\_QUANTITY for HPW\_APRIL 2017
- [2] - MPU ALTO SWEDEN 3C - 130/660 230/1/50/13 - MC 3C-140/660 230/1/50/16 - MC 3C-150/660 230/1/50/16 - MC 3C-150/660 230/1/50/16 XT EU - MC 3C-150/570 230/1/50/13 XT UK, MC 3C-140/157
- [3] - MC 3C-140/660 220/1/60/15 EXPT - UNITOR HPC 30/1 3C - 150/660 220/1/60/16
- [4] - MC 3C-160/770 400/3/50 - MC 3C-170/820 400/3/50 - MC 3C-170/820 400/3/50 XT - MC 3C-170/820 230-400/3/50 XT NO - MC 3C-170/820 220-440/3/60
- [5] - TSB-PPW-2015-007 MC 3C MC 4M, Oil Container leaking oil at O-ring seal  
DE TSB-PPW-2015-007 MC 3C und MC 4M, Öl Behälter Leckage bei dem O-Ring
- [6] - US



| Pos. | Réf article | Qté | Désignation                              | Notes |
|------|-------------|-----|--|-------|
| 1    | 106403122   | 1   | PISTOLET ERGO 2000 STANDARD              | [1]   |
| 2    | 301002275   | 1   | FLEXIBLE HP 10M DN6 2X3/8M+ERGO FEMELLE  | [2]   |
| 2    | 107142542   | 1   | FLEXIBLE HP 15M DN6 MC3-4 POUR ENROULEUR | [3]   |
| 3    | 107142576   | 1   | BUSE HP 1/8-27 NPT MEG 25034             | [4]   |
| 3    | 107142579   | 1   | BUSE HP 1/8-27 NPT MEG 25045             | [5]   |
| 3    | 106402282   | 1   | LANCE FLEXOPOWER PLUS COURBEE L96        | [6]   |
| 3    | 106403011   | 1   | LANCE TORNADO PLUS COURBEE L100          | [7]   |
| 3    | 106403035   | 1   | LANCE UNIVERSAL PLUS COURBEE L108        | [8]   |
| 3    | 101119735   | 1   | BUSE TORNADO PLUS 0340                   | [9]   |
| 3    | 101119737   | 1   | BUSE TORNADO PLUS 0370                   | [10]  |
| 3    | 101119738   | 1   | BUSE TORNADO PLUS 0400                   | [11]  |
| 3    | 101119739   | 1   | BUSE TORNADO PLUS 0435                   | [12]  |
| 4    | 106408250   | 1   | LANCE 4EN1 COMPLETE L98 0340             | [13]  |
| 4    | 106408261   | 1   | LANCE 4 EN1 COMPLETE L98 0370 NEUTRE PL  | [14]  |
| 4    | 106408252   | 1   | LANCE 4EN1 COMPLETE L98 0370             | [15]  |
| 4    | 106408254   | 1   | LANCE 4EN1 COMPLETE L98CM 0435           | [16]  |
| 5    | 107145803   | 1   | KIT ENROULEUR AV.FLEXIBLE 15M POUR MC3-4 |       |
|      | 106404529   | 1   | RACCORD GARDENA MALE 3/4"                |       |
|      | 61369       | 1   | RACCORD LAITON ENTREE EAU 3/4" 19MM      | [17]  |

## Part Notes:

- [1] - ERGO 2000 Spray handle
- [2] - Without hose reel
- [3] - X-TRA (with hose reel)
- [4] - PRUNED-NO REPLACEMENT  
MC 3C-140/570 230/1/50/13
- [5] - MC 3C-160/770 400/3/50 EU
- [6] - FLEXOPOWER PLUS lance
- [7] - TORNADO PLUS lance
- [8] - UNIVERSAL PLUS lance
- [9] - MC 3C 150/570
- [10] - MC 3C 140/660, MC 3C 150/660
- [11] - MC 3C 130/660
- [12] - MC 3C 170/820
- [13] - MC 3C 150/570  
4 in1 Nozzle
- [14] - 2020 ACCESSORY PRUNING
- [15] - MC 3C 150/660  
4 in1 Nozzle
- [16] - MC 3C 170/820  
4 in1 Nozzle
- [17] - UNITOR



