

*Cleaning  
Equipment*



**portotecnica**

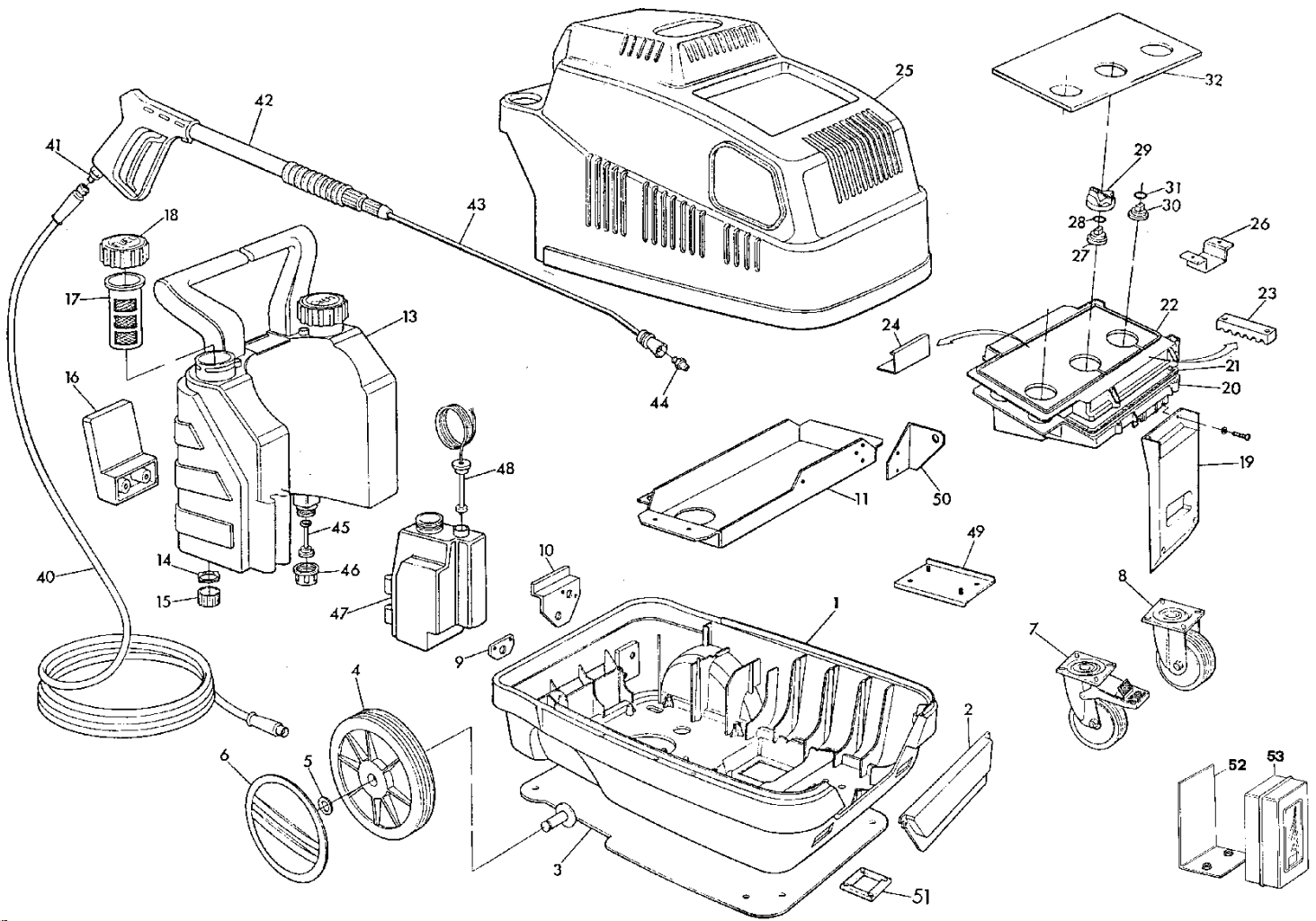
*www.portotecnica.com*

## **Spare Parts List**

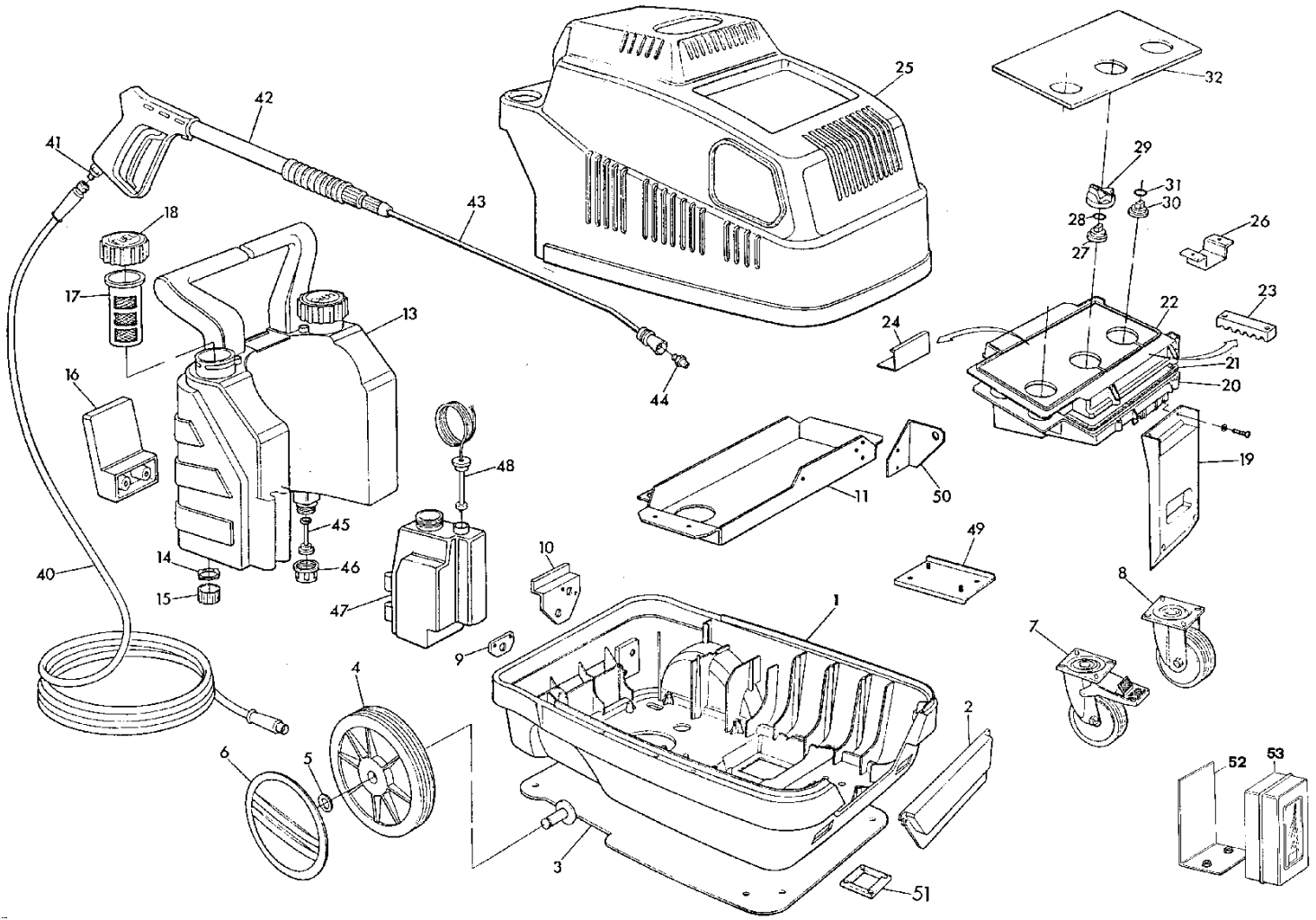
**ICA SOTECO**

**Ref: IDAC41907**

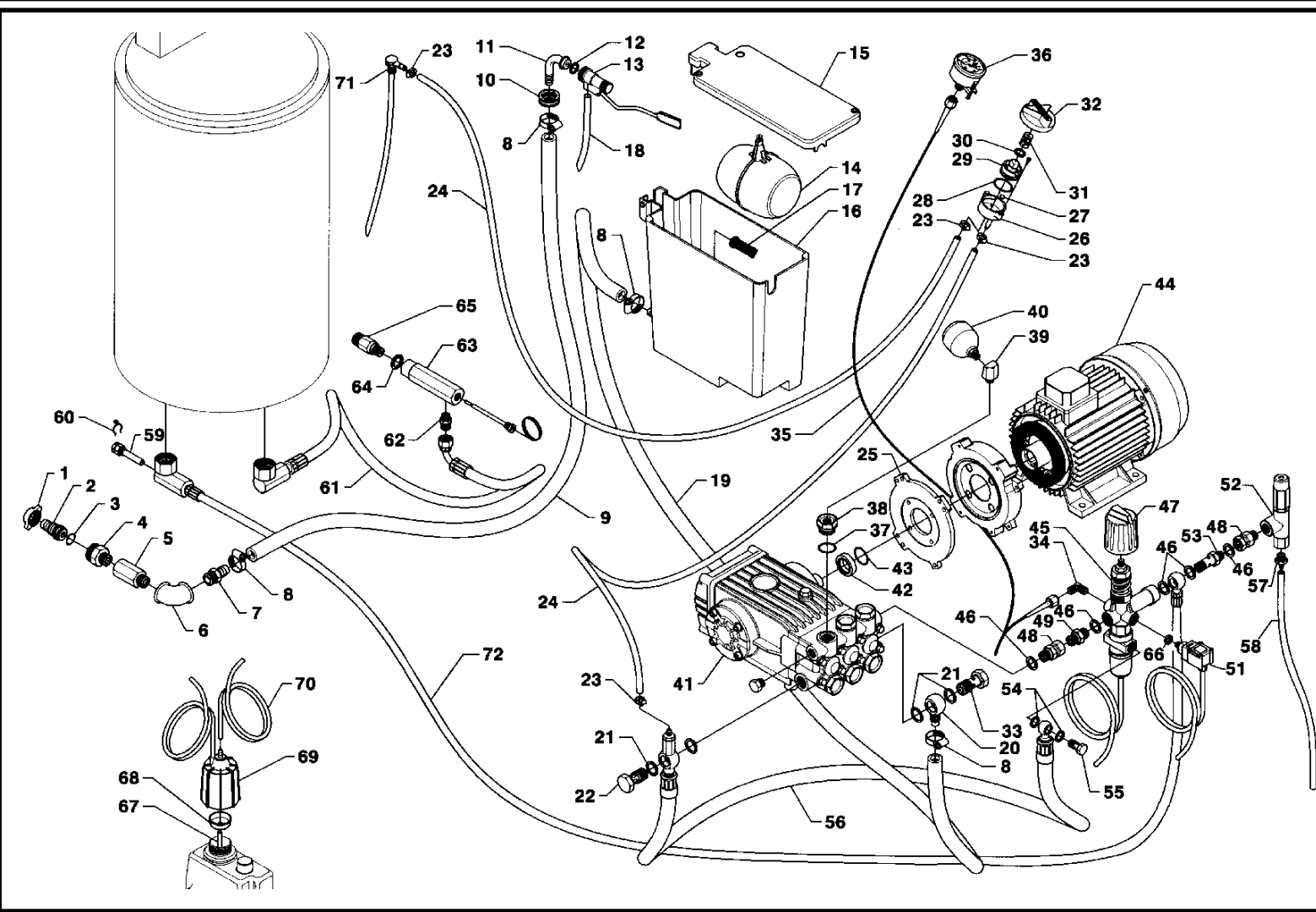
**Model: IDROP MISTRAL P.DS 2960 T 440/60 3-01PKR**



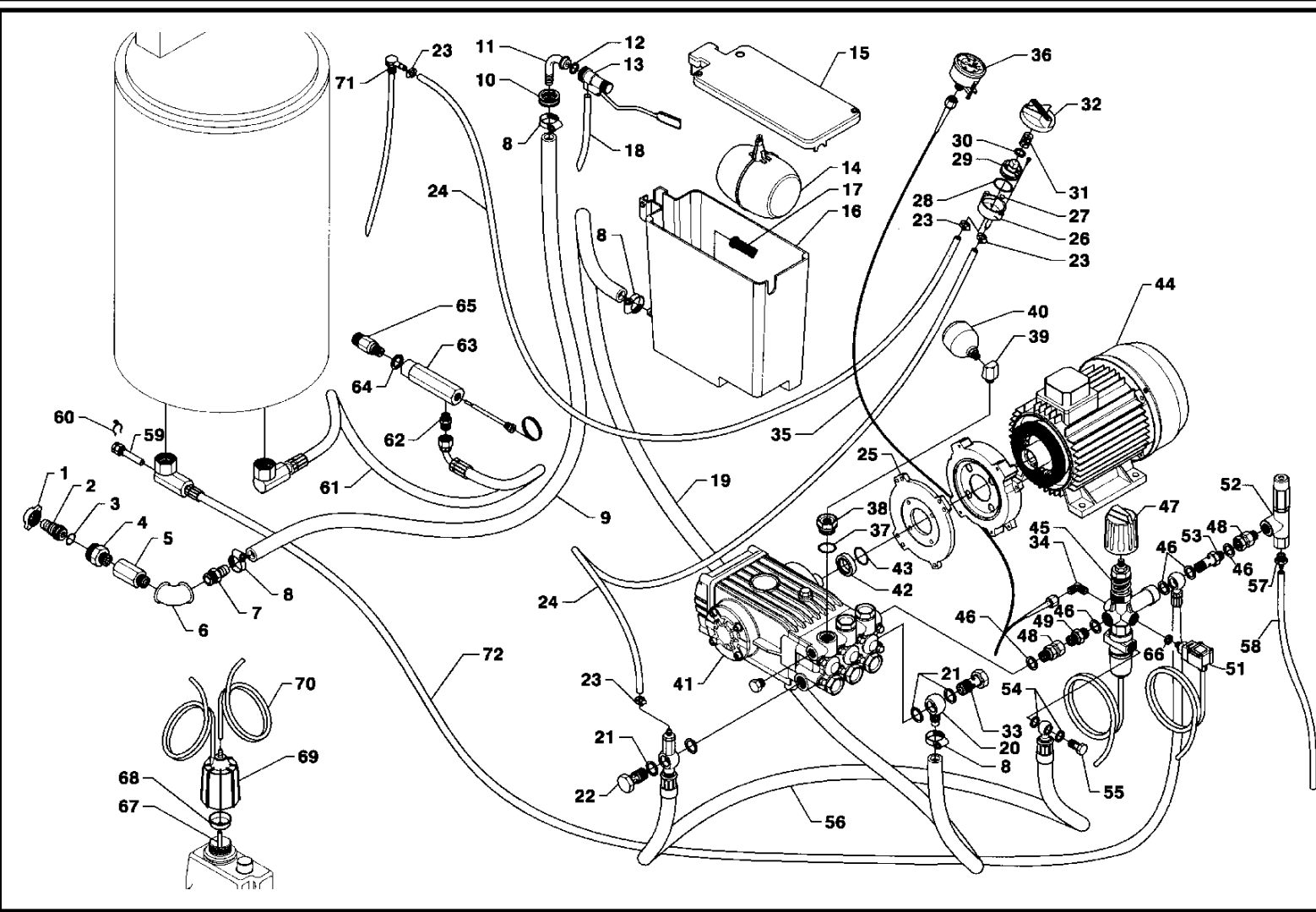
| Ref. | K | Part N.   | Customer Part N. | Description                          | Qty  | Validity:<br>From To | Price |
|------|---|-----------|------------------|--------------------------------------|------|----------------------|-------|
| 0001 |   | MPVR33490 |                  | CHARIOT MISTRAL PP                   | 1,00 |                      | --    |
| 0002 |   | MPVR34168 |                  | GUICHET MISTRAL PP                   | 1,00 |                      | --    |
| 0003 |   | LAFN33489 |                  | SUPPORT MST                          | 1,00 |                      | --    |
| 0004 |   | RTRT24320 |                  | ROUE D.250-D.25 RT-PRT               | 2,00 |                      | --    |
| 0005 |   | VTRS09813 |                  | RONDELLE D.25                        | 2,00 |                      | --    |
| 0006 |   | MPVR25910 |                  | ENJOLIVEUR ROU.D. 250 RT/PRT         | 2,00 |                      | --    |
| 0007 |   | RTRT13708 |                  | ROUE PIVOTTANTE D.125 P. MZ.PLS      | 1,00 |                      | --    |
| 0008 |   | RTRT07480 |                  | ROUE PIVOTTANTE D.125 P MZ.PLS.      | 1,00 |                      | --    |
| 0009 |   | LAFN34637 |                  | SUPPORT MST                          | 1,00 |                      | --    |
| 0010 |   | LAFN34052 |                  | SUPPORT MST                          | 1,00 |                      | --    |
| 0011 |   | LAFN41901 |                  | PLAQUE P.MOTEUR MST 440V             | 1,00 | 02/1999              | --    |
| 0013 |   | MPVR37512 |                  | RESERVOIR FUEL MISTR.DS/GT.          | 1,00 |                      | --    |
| 0014 |   | GUGO11489 |                  | JOINT D.22X1,5                       | 2,00 |                      | --    |
| 0015 |   | PVVR11806 |                  | BOUCHON ECHAPP.FLL                   | 2,00 |                      | --    |
| 0016 |   | LAFN20105 |                  | SUPPORT TUYAU KSM                    | 1,00 |                      | --    |
| 0017 |   | FTCO17698 |                  | FILTRE 121X54                        | 2,00 |                      | --    |
| 0018 |   | MPVR20418 |                  | BOUCHON RESERV.KSM                   | 2,00 |                      | --    |
| 0019 |   | MPVR33534 |                  | SUPPORT BOITE MST PA 66              | 2,00 |                      | --    |
| 0020 |   | MPVR41897 |                  | BOITE CONTROLE MISTRAL 440V PP       | 1,00 |                      | --    |
| 0021 |   | GUGO11309 |                  | JOINT MOUSSE D. 3                    | 1,20 |                      | --    |
| 0022 |   | MPVR33249 |                  | COUVERCLE BOITEMISTRAL               | 1,00 |                      | --    |
| 0023 |   | MPVR33250 |                  | COUVERCLE CABLEMISTRAL               | 1,00 |                      | --    |
| 0025 |   | MPVR33318 |                  | COUVERT.ROUGE MISTRAL PP             | 1,00 |                      | --    |
| 0027 |   | MPVR23482 |                  | TALON TEC. TUV                       | 1,00 |                      | --    |
| 0028 |   | GUGO23079 |                  | BAGUE V-SEAL VA0014 13.5- 15.5       | 1,00 |                      | --    |
| 0029 |   | MPVR20190 |                  | POIGNEE GRIS KSM                     | 3,00 |                      | --    |
| 0030 |   | MPVR23484 |                  | TALON THERM.KSM TUV                  | 1,00 |                      | --    |
| 0031 |   | GUGO25527 |                  | O-RING D. 14 X 3 NBR 70SH            | 1,00 |                      | --    |
| 0032 |   | ETET40687 |                  | ETICHETTE MST PR.II DS PLC           | 1,00 |                      | --    |
| 0040 |   | TBAP15631 |                  | TUYAU H.P. R2 MT 10 5/16" IRV F-SWIV | 1,00 |                      | --    |
| 0042 |   | IPPR12973 |                  | POIGNEE ST 2000 - P 330 - M22 M V    | 1,00 |                      | --    |
| 0043 |   | LCPR12976 |                  | RALLONGE P 70                        | 1,00 |                      | --    |
| 0044 |   | UGLN03327 |                  | BUSE 1/4 25045                       | 1,00 |                      | --    |
| 0045 |   | MECI34446 |                  | INTERRUPTEUR REED N.A.H115           | 1,00 |                      | --    |
| 0046 |   | LAFN34356 |                  | FRETTE M 39X3 MST.G                  | 1,00 |                      | --    |
| 0047 |   | MPVR20903 |                  | BAC KSM                              | 1,00 |                      | --    |
| 0048 |   | MECI34444 |                  | INTERRUPTEUR REED N.C.H185 L=1300    | 1,00 |                      | --    |
| 0049 |   | LAFN35778 |                  | ETRIER RESERV. MST INX               | 1,00 |                      | --    |
| 0050 |   | LAFN33976 |                  | ETRIER FILTRE MST SP.                | 1,00 |                      | --    |



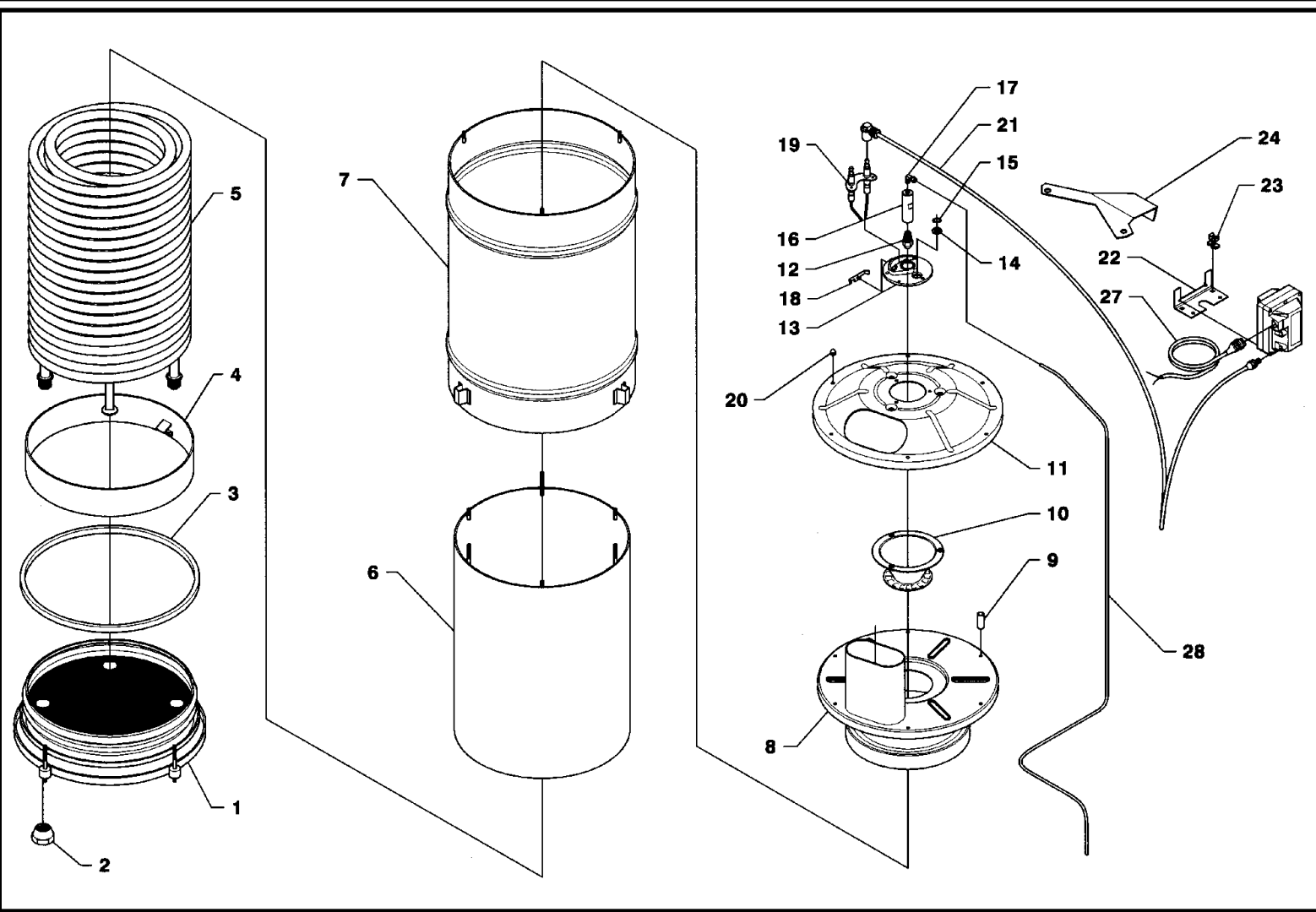
| Ref. K | Part N.   | Customer Part N. | Description                    | Qty  | Validity: |    | Price |
|--------|-----------|------------------|--------------------------------|------|-----------|----|-------|
|        |           |                  |                                |      | From      | To |       |
| 0051   | LAFN40224 |                  | PLAQUE MST                     | 1,00 | 10/1998   |    | --    |
| 0052   | LAFN41898 |                  | ETRIER SUPPORT MST.440V        | 1,00 | 10/1999   |    | --    |
| 0053   | MEVR41892 |                  | BOITE GWS 150X110X140 MST 440V | 1,00 | 10/1999   |    | --    |
| 9999   | KTRI16996 |                  | KIT P 33- 1                    | 1,00 | 10/1996   |    | --    |



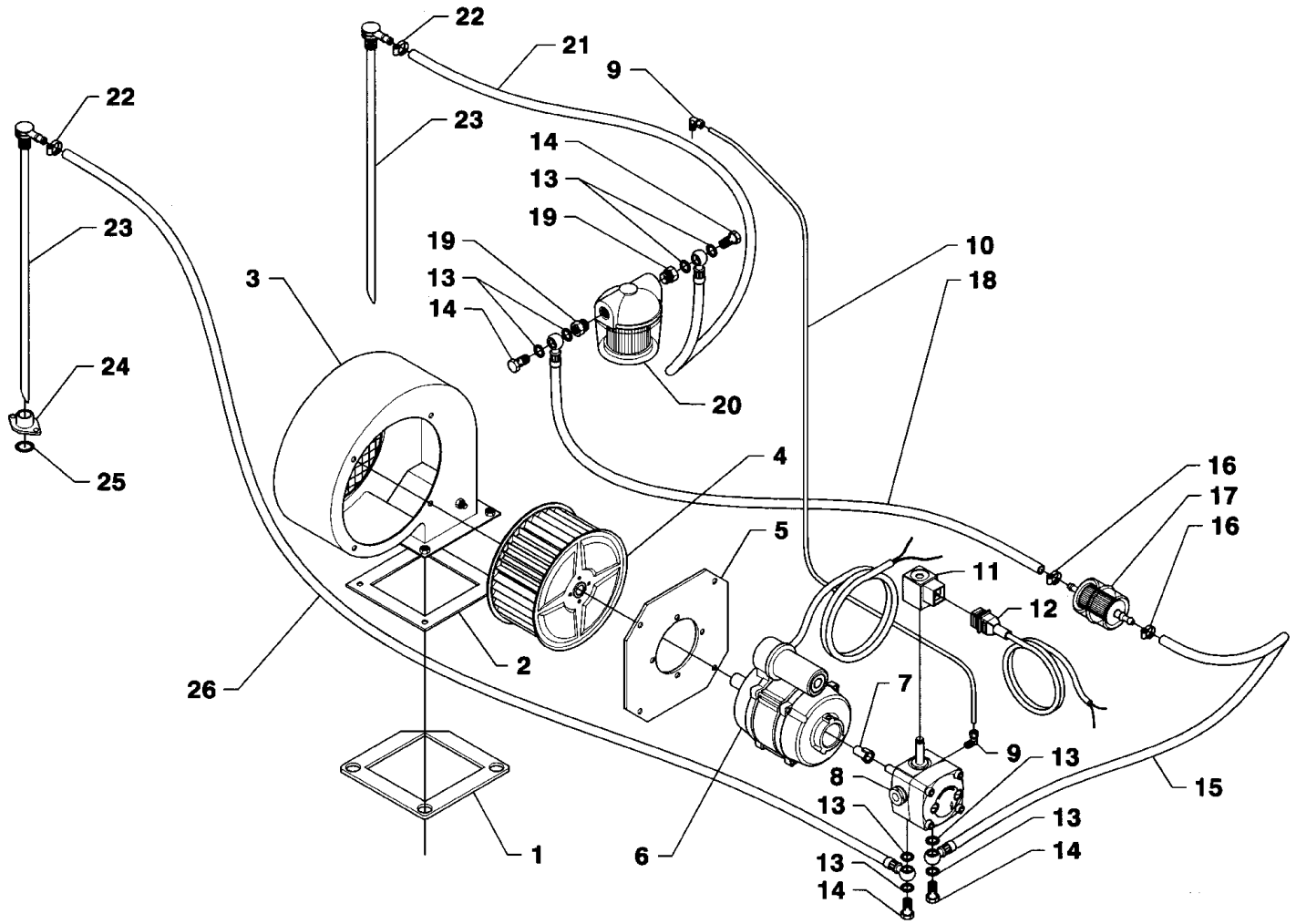
| Ref. K | Part N.   | Customer Part N. | Description                        | Qty  | Validity: |         | Price |
|--------|-----------|------------------|------------------------------------|------|-----------|---------|-------|
|        |           |                  |                                    |      | From      | To      |       |
| 0001   | VTRS00548 |                  | RONDELLE D.17,5X22X1,5 (3/8)RM     | 1,00 |           |         | --    |
| 0002   | RCDS09316 |                  | RONDELLE G. 3/4                    | 1,00 | 10/1996   |         | --    |
| 0003   | RCDS08965 |                  | RACC. P. TUYAU OTT.                | 1,00 | 10/1996   |         | --    |
| 0004   | GUGO01054 |                  | O-RING D. 15.08 X 2.62 NBR 70SH    | 1,00 | 10/1996   |         | --    |
| 0005   | RCDS35797 |                  | NIPPLE 3/4 - 1/2 OTT MST           | 1,00 |           |         | --    |
| 0006   | RCDS17206 |                  | MANCHON 1/2 M/F L= 50-65           | 1,00 |           |         | --    |
| 0007   | RCVR00578 |                  | COUDE 1/2" F                       | 1,00 |           |         | --    |
| 0008   | RCDS02689 |                  | RACC. P. TUYAU 1/2 M D.12-16       | 1,00 |           |         | --    |
| 0009   | FSVR00431 |                  | COLLIER D. 16-25                   | 3,00 |           |         | --    |
| 0010   | TBBP00055 |                  | TUYAU B.P. D.15-23 10BAR AYTOK.    | 0,62 |           |         | --    |
| 0011   | RCDS10356 |                  | FRETTE FUT                         | 1,00 |           |         | --    |
| 0012   | RCDS10357 |                  | RACC. P. TUYAU FUT 90°             | 1,00 |           |         | --    |
| 0013   | RCGR10358 |                  | ROBINET UG. D. 7                   | 1,00 |           |         | --    |
| 0014   | RCGR01387 |                  | BILLE PLASTIQUE D.104              | 1,00 |           |         | --    |
| 0015   | MPVR10353 |                  | COUVERC.RES. FUT PAD               | 1,00 |           |         | --    |
| 0016   | MPVR22117 |                  | RESERVOIR EAU FUT + F 18LT         | 1,00 |           |         | --    |
| 0017   | FTDT21315 |                  | FILTRE D.20X45 18LT                | 1,00 |           |         | --    |
| 0018   | TBBP17436 |                  | TUYAU B.P. D.12-14 RILSAN NT.      | 0,17 |           |         | --    |
| 0019   | TBBP15656 |                  | TUYAU B.P. D.16-26 20BAR           | 1,41 | 02/2001   |         | --    |
| 0020   | RCDS16544 |                  | RACCORD O. 1/2 - 9.5-16            | 1,00 |           |         | --    |
| 0021   | VTRS12491 |                  | RONDELLE 1/2                       | 4,00 |           |         | --    |
| 0022   | RCDS16328 |                  | VIS CREUSE G 1/2 D.8               | 1,00 |           |         | --    |
| 0023   | FSVR15255 |                  | COLLIER D. 8-12                    | 6,00 |           |         | --    |
| 0024   | TBBP00051 |                  | TUYAU DETERGENT D. 6-12            | 1,40 | 06/2000   |         | --    |
| 0025   | MFVR21735 |                  | CONTRE-BRIDE MEC 112 2.V           | 1,00 |           |         | --    |
| 0026   | RCGR08069 |                  | CORPS ROBINET DET. PRT             | 1,00 | 06/2000   |         | --    |
| 0027   | GUGO08071 |                  | O-RING D. 4.48 X 1.78 NBR 70SH     | 1,00 | 06/2000   |         | --    |
| 0028   | GUGO12183 |                  | O-RING D. 23.4 X 3.53 VIT 70SH     | 1,00 | 06/2000   |         | --    |
| 0029   | RCGR08070 |                  | REGULATEUR PRT                     | 1,00 | 06/2000   |         | --    |
| 0030   | VTRS00542 |                  | RONDELLE D.14X20                   | 1,00 |           |         | --    |
| 0031   | MLML08068 |                  | RESSORT D.1,5 L.23                 | 1,00 |           |         | --    |
| 0032   | MPVR20190 |                  | POIGNEE GRIS KSM                   | 1,00 |           |         | --    |
| 0033   | RCDS33982 |                  | VIS CREUSE 1/2 C/SC. L=41.5 D.13.5 | 1,00 |           |         | --    |
| 0034   | RCVR12430 |                  | COUDE 1/4" M/M A15                 | 1,00 | 10/1999   |         | --    |
| 0035   | TBAP04437 |                  | TUYAU POLYAMIDE L=420 1/4-1/4 F-F  | 1,00 |           |         | --    |
| 0036   | MNMN07992 |                  | MANOMETRE 0-250 D.50               | 1,00 |           | 11/2003 | --    |
| 0037   | MNMN49621 |                  | MANOMETRE 0-250 D.50 INOX          | 1,00 | 11/2003   |         | --    |
| 0038   | GUGO01033 |                  | O-RING D. 20.24 X 2.62 NBR 90SH    | 1,00 |           |         | --    |
| 0039   | RCDS08626 |                  | BOUCHON M24X2X16 + 1/4F INX        | 1,00 |           |         | --    |



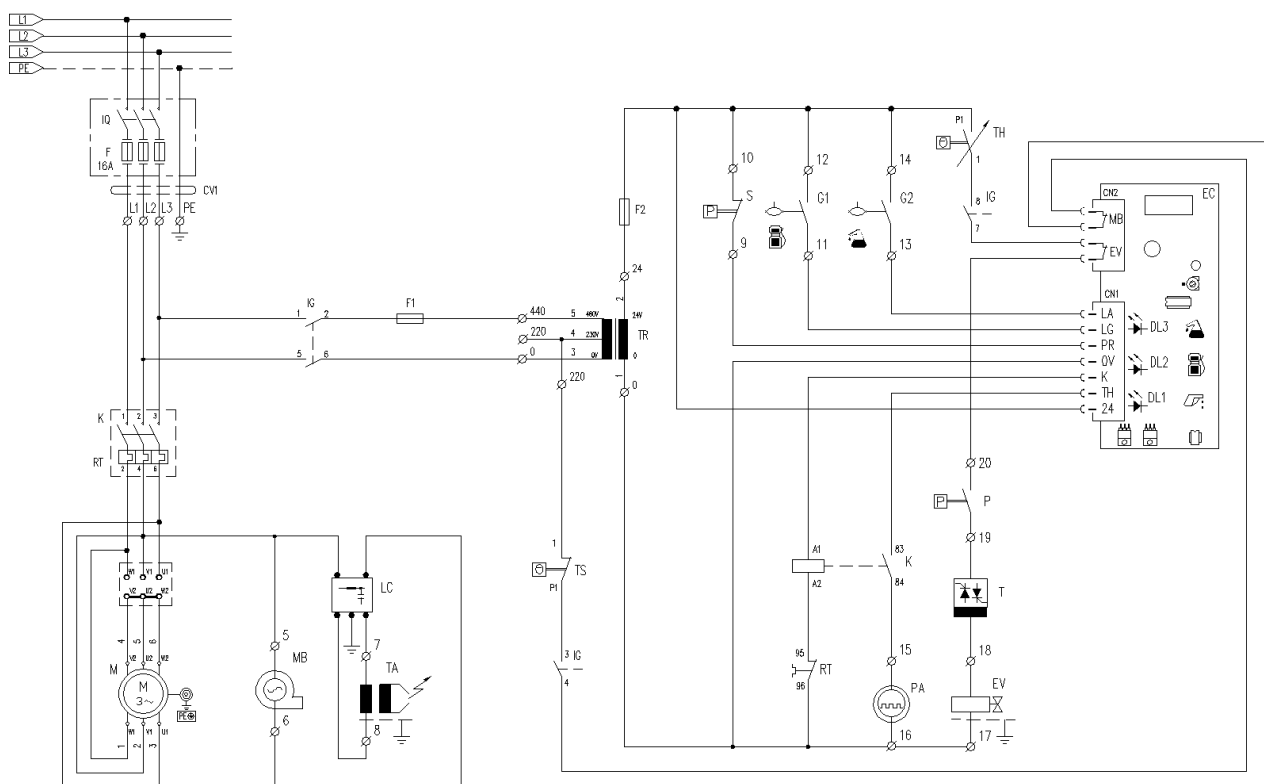
| Ref. | K | Part N.   | Customer Part N. | Description                              | Qty  | Validity: |         | Price |
|------|---|-----------|------------------|--|------|-----------|---------|-------|
|      |   |           |                  |  |      | From      | To      |       |
| 0039 |   | RCDS13818 |                  | MANCHON 1/4-M14X1.5 M/F                  | 1,00 | 10/1999   |         | --    |
| 0040 |   | ACID08195 |                  | ACCUMULATEUR M 14X1.5 30BAR              | 1,00 | 02/1999   |         | --    |
| 0041 |   | PPAP07420 |                  | POMPE W 921 DX                           | 1,00 |           | 02/2001 | --    |
| 0041 |   | PPAP44090 |                  | POMPE W 921 DX USA V.                    | 1,00 | 03/2001   |         | --    |
| 0042 |   | RCDS34756 |                  | DOUILLE IP W15 OT                        | 1,00 |           |         | --    |
| 0043 |   | GUGO42285 |                  | O-RING D. 35 X 2.5 VIT.70SH              | 1,00 | 11/1999   |         | --    |
| 0044 |   | MOTR21305 |                  | MOTEUR 3PH HP7.5 230-400/50 - CU. GR     | 1,00 |           |         | --    |
| 0045 |   | VVAZ15529 |                  | SOUPAPE ST 261 - SWITCH                  | 1,00 | 10/1999   | 05/2004 | --    |
| 0045 |   | VVAZ88040 |                  | SOUPAPE ST 261 - S.REED N.C.             | 1,00 | 06/2004   |         | --    |
| 0046 |   | VTRS12492 |                  | RONDELLE 3/8                             | 5,00 | 02/1999   |         | --    |
| 0047 |   | MPVR09436 |                  | POIGNEE NOIRE ST 260                     | 1,00 |           |         | --    |
| 0048 |   | RCVR00563 |                  | JOINT ROTATIF 3/8 M/F                    | 1,00 | 10/1999   |         | --    |
| 0049 |   | RCDS00610 |                  | NIPPLE 3/8 - 3/8 SV                      | 1,00 | 10/1999   |         | --    |
| 0051 |   | MEPF39902 |                  | PRESSOSTAT MTM 1/4M NA/NC 25B. MICRO     | 1,00 | 02/1999   |         | --    |
| 0052 |   | VVSC21627 |                  | SOUPAPE VS 220 G3/8                      | 1,00 | 10/1999   |         | --    |
| 0053 |   | RCDS11778 |                  | VIS CREUSE G 3/8 + 3/8M                  | 1,00 | 10/1999   |         | --    |
| 0054 |   | VTRS12821 |                  | RONDELLE D.14X21,5X1                     | 4,00 |           |         | --    |
| 0055 |   | RCDS02612 |                  | VIS CREUSE G 1/4 A.P.                    | 2,00 |           |         | --    |
| 0056 |   | TBBP41686 |                  | TUYAU BY-PASS L=390 1/2+V.NRT-1/4OC 90°  | 1,00 |           |         | --    |
| 0057 |   | RCDS03514 |                  | RACC. P. TUYAU 3/8 M D. 5- 7             | 1,00 | 10/1999   |         | --    |
| 0058 |   | TBBP04917 |                  | TUYAU B.P. D. 6- 9                       | 1,30 | 10/2004   |         | --    |
| 0059 |   | RCDS00593 |                  | RECUPERATION IM 0-120 L=50               | 1,00 |           |         | --    |
| 0060 |   | MLML02623 |                  | RESSORT IMT                              | 1,00 |           |         | --    |
| 0061 |   | TBAP33971 |                  | TUYAU D.JONCT. 3/ 8 L=275 R2 3/8F -1/2P. | 1,00 |           |         | --    |
| 0062 |   | RCDS34050 |                  | NIPPLE 3/8-14X1.5 L=61                   | 1,00 |           |         | --    |
| 0063 |   | RCDS34048 |                  | CORPS BLOC 3/8F MST                      | 1,00 |           |         | --    |
| 0064 |   | VTRS22537 |                  | RONDELLE D. 16                           | 1,00 |           |         | --    |
| 0065 |   | RCDS13012 |                  | NIPPLE M22-3/8 D. 7.5                    | 1,00 |           |         | --    |
| 0066 |   | VTRS40960 |                  | RONDELLE D.13.5X19 X4 AL.                | 1,00 |           |         | --    |
| 0067 |   | TBBP00058 |                  | TUYAU B.P. D. 4- 6                       | 0,24 | 10/2003   |         | --    |
| 0067 |   | TBBP11756 |                  | TUYAU B.P. D. 4- 6 RILSAN NTR            | 0,24 | 12/1997   | 10/2003 | --    |
| 0068 |   | MPVR20904 |                  | BOUCHON KSM                              | 1,00 |           |         | --    |
| 0069 |   | MEPD25575 |                  | POMPE DOSEUSE NME-1 24V CPL.             | 1,00 |           |         | --    |
| 0070 |   | TBBP00058 |                  | TUYAU B.P. D. 4- 6                       | 1,10 |           |         | --    |
| 0071 |   | RCDS20136 |                  | TIRANT L= 355 C.                         | 1,00 |           |         | --    |
| 0072 |   | TBAP40552 |                  | TUYAU D.JONCT. 3/ 8 R2 L=880 O3/8-1/2PMG | 1,00 | 02/1999   |         | --    |



| Ref. | K | Part N.   | Customer Part N. | Description                     | Qty  | Validity: |    | Price |
|------|---|-----------|------------------|---------------------------------|------|-----------|----|-------|
|      |   |           |                  |                                 |      | From      | To |       |
| 0001 |   | LAFN12715 |                  | FOND CHAUDIERE FUT              | 1,00 |           |    | --    |
| 0002 |   | RCDS00561 |                  | FRETTE 1/2 OTT                  | 2,00 |           |    | --    |
| 0003 |   | GUVR35205 |                  | JOINT D. 7 FIB.                 | 1,02 | 02/1996   |    | --    |
| 0004 |   | LAFN11708 |                  | CALE FUT                        | 1,00 |           |    | --    |
| 0005 |   | LAFN11329 |                  | SERPENTIN DOUB.3/8 FUTURA 200   | 1,00 |           |    | --    |
| 0006 |   | LAFN07969 |                  | CYLINDRE INT. FUT INX           | 1,00 |           |    | --    |
| 0007 |   | LAFN07674 |                  | CYLINDRE EXT. FUT INX           | 1,00 |           |    | --    |
| 0008 |   | LAFN42581 |                  | COUVERCLE CHAUDMST INX          | 1,00 | 07/2000   |    | --    |
| 0009 |   | LAFN09096 |                  | ENTRETOISE 10X28,5              | 3,00 |           |    | --    |
| 0010 |   | LAFN08042 |                  | DEFLECTEUR FUT                  | 1,00 |           |    | --    |
| 0011 |   | LAFN07676 |                  | COUVERCLE CHAUDFUT INX          | 1,00 |           |    | --    |
| 0012 |   | UGBR22576 |                  | GIGLEUR BRULEUR1.35 60 S        | 1,00 |           |    | --    |
| 0013 |   | MFVR18226 |                  | PORTE-ELECTRODEFUT 3°V          | 1,00 |           |    | --    |
| 0014 |   | MPVR18228 |                  | TEMOIN HUILE D.17 X3            | 1,00 |           |    | --    |
| 0015 |   | VTAE22633 |                  | SEEGER 0.4 X18,30X10,5          | 1,00 |           |    | --    |
| 0016 |   | RCDS07642 |                  | PORTE BUSE FUT                  | 1,00 |           |    | --    |
| 0017 |   | RCVR08954 |                  | COUDE 1/8"-4 B5                 | 1,00 |           |    | --    |
| 0018 |   | LAFN07641 |                  | PLAQUETTE INX                   | 1,00 |           |    | --    |
| 0019 |   | MECA12525 |                  | ELECTRODE FUT                   | 1,00 |           |    | --    |
| 0020 |   | VTDD05907 |                  | ECROU M 6 CIE.                  | 6,00 |           |    | --    |
| 0021 |   | MECV35334 |                  | CABLE A.T. 9,8-23KOHM/M L= 400P | 2,00 | 07/1999   |    | --    |
| 0022 |   | LAFN33974 |                  | ETRIER SUPPORT MST              | 1,00 |           |    | --    |
| 0023 |   | MEVR15389 |                  | AGRAFE F-0201                   | 1,00 |           |    | --    |
| 0024 |   | LAFN34806 |                  | BRIDE MST 30MT                  | 1,00 |           |    | --    |
| 0027 |   | MECB34463 |                  | CABLE BT L=800 SP.              | 1,00 |           |    | --    |

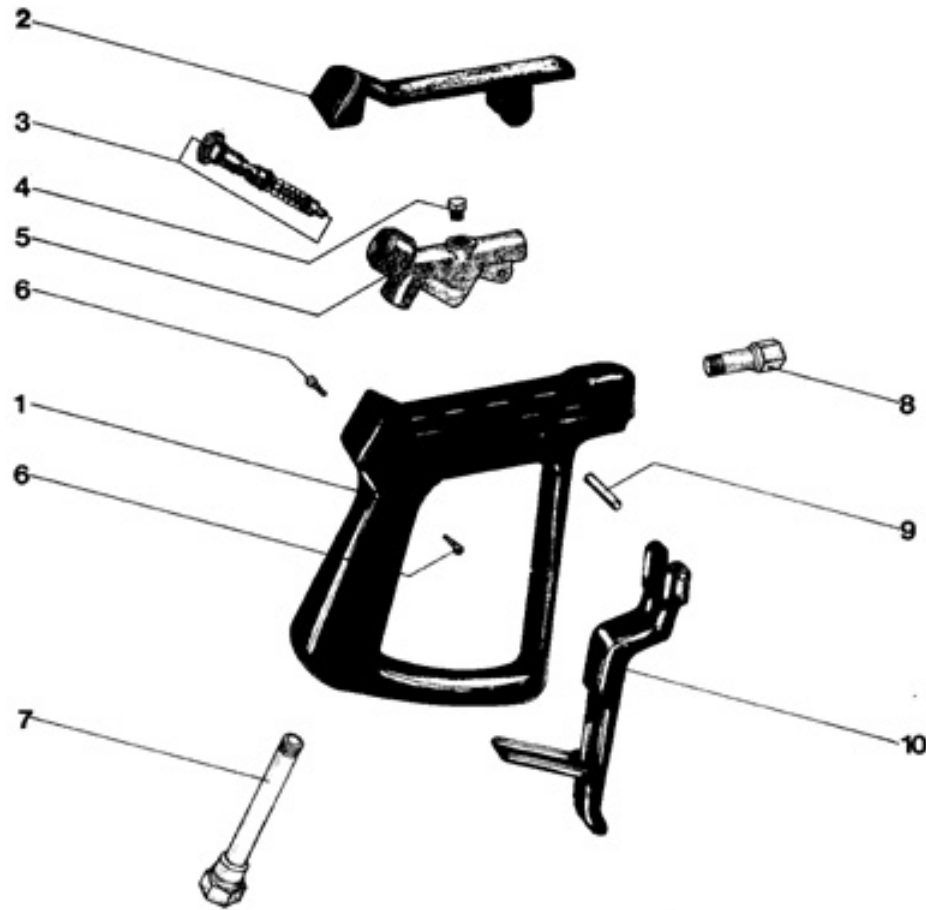


| Ref. K | Part N.   | Customer Part N. | Description                          | Qty  | Validity: |         | Price |
|--------|-----------|------------------|--------------------------------------|------|-----------|---------|-------|
|        |           |                  |                                      |      | From      | To      |       |
| 0001   | GUGO11214 |                  | JOINT FLL                            | 1,00 | 09/2000   |         | --    |
| 0002   | LAFN33967 |                  | COQUILLE CB4 -MST                    | 1,00 | 09/2000   |         | --    |
| 0003   | LAFN11160 |                  | PAPILLONFLUEGELFLL                   | 1,00 |           |         | --    |
| 0004   | VEVR34275 |                  | HELICE D.160-80 D.12.7 36P B.SX      | 1,00 | 09/2000   |         | --    |
| 0005   | LAFN10272 |                  | PLAQUE P.MOTEURCB 3                  | 1,00 | 09/2000   |         | --    |
| 0006   | MOMB35727 |                  | MOTEUR BRULEUR 230-60 IP44 200W A.OR | 1,00 | 09/2000   |         | --    |
| 0007   | KTRI36516 |                  | KIT P 18- 9                          | 1,00 |           |         | --    |
| 0008   | PPGS09082 |                  | POMPE FUEL SDD AS 47C                | 1,00 | 09/2000   |         | --    |
| 0010   | TBCO33977 |                  | TUYAU GASOIL MST 30MT D. 4           | 1,00 |           |         | --    |
| 0011   | MEBE18109 |                  | BOBINE SDD 24V 50/60 S.C.            | 1,00 |           |         | --    |
| 0012   | MECB18118 |                  | CABLE DLT L=1.600                    | 1,00 |           |         | --    |
| 0013   | VTRS04931 |                  | RONDELLE COPPER D.13X19X1.5          | 4,00 | 09/2000   |         | --    |
| 0015   | TBBP34456 |                  | TUYAU B.P. L= 150 1/4OC.-LIB.        | 1,00 |           |         | --    |
| 0016   | FSVR11197 |                  | COLLIER D.I. 11 13315                | 1,00 |           |         | --    |
| 0017   | FTCO34840 |                  | FILTRE FUEL FB 1                     | 1,00 |           |         | --    |
| 0019   | RCVR02607 |                  | REDUCTION 3/8-1/4 M/F                | 1,00 | 02/2002   |         | --    |
| 0019   | RCVR02607 |                  | REDUCTION 3/8-1/4 M/F                | 2,00 |           | 02/2002 | --    |
| 0019   | RCVR38072 |                  | REDUCTION 3/8-1/4 M/F A4/Z SKD.F     | 1,00 | 02/2002   |         | --    |
| 0020   | FTCO30578 |                  | FILTRE FUEL 3/8 0.1-SP               | 1,00 |           |         | --    |
| 0021   | TBBP34457 |                  | TUYAU B.P. L=1570 1/4OC.-LIB.        | 1,00 |           |         | --    |
| 0022   | FSVR00427 |                  | COLLIER D. 12 CLIC 66-110            | 2,00 | 06/2000   |         | --    |
| 0023   | RCDS20136 |                  | TIRANT L= 355 C.                     | 1,00 |           |         | --    |
| 0024   | RCDS11455 |                  | SUPP. SUCTION FLL                    | 1,00 |           |         | --    |
| 0025   | GUGO19194 |                  | O-RING D. 11.11 X 1.78 NBR 70SH      | 1,00 |           |         | --    |
| 0026   | TBBP41445 |                  | TUYAU B.P. L=1070 1/4OC.-LIB. 6X12   | 1,00 | 09/2000   |         | --    |

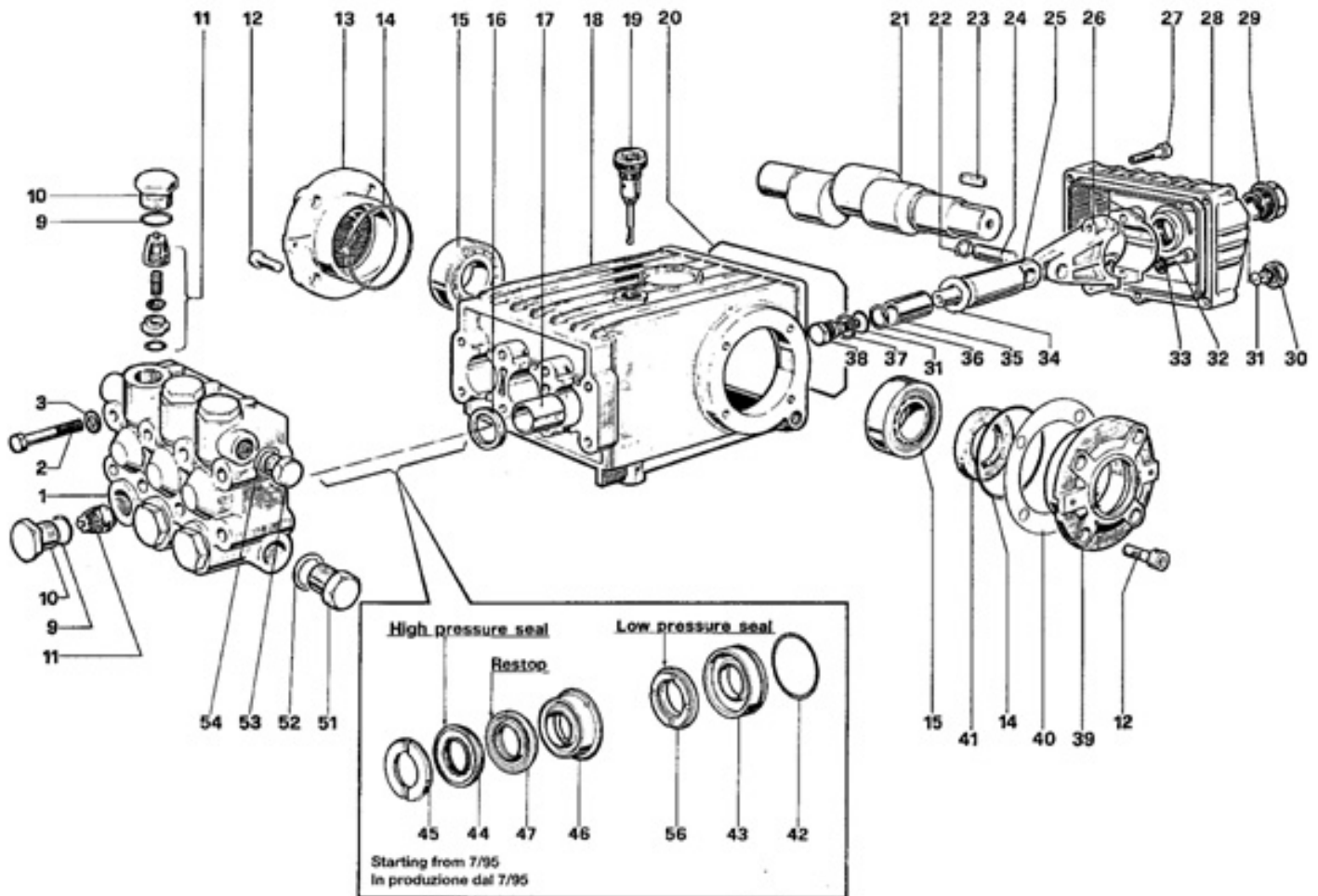


| Ref. | K | Part N.   | Customer Part N. | Description                             | Qty  | Validity: |         | Price |
|------|---|-----------|------------------|---|------|-----------|---------|-------|
|      |   |           |                  |   |      | From      | To      |       |
| K    |   | METT24416 |                  | TELERUPTEUR SIE 3TF 4310 OAC2- 24V      | 1,00 |           | 09/2001 | --    |
| K    |   | METT45024 |                  | TELERUPTEUR SIE 3RT 1026 1AC20 24V      | 1,00 | 10/2001   |         | --    |
| P    |   | MEPF39902 |                  | PRESSOSTAT MTM 1/4M NA/NC 25B. MICRO    | 1,00 |           |         | --    |
| S    |   | MEPF17533 |                  | PRESSOSTAT ST 261 N.C.                  | 1,00 |           | 05/2004 | --    |
| S    |   | MEPF88344 |                  | SONDE REED ST261.1 -2WR.                | 1,00 | 06/2004   |         | --    |
| T    |   | METY33753 |                  | MINUTEUR 3 S. MST 24V                   | 1,00 |           |         | --    |
| EC   |   | MECE40708 |                  | PLATINE MISTRAL PR.II T-ST/MP/LIV       | 1,00 | 02/1999   | 12/2002 | --    |
| EC   |   | MECE45448 |                  | PLATINE P105 T-ST/MP/LIV. STOP30'       | 1,00 | 12/2002   |         | --    |
| F1   |   | MEVR00237 |                  | FUSIBLE 5X20 3,15A                      | 2,00 | 10/1996   |         | --    |
| F2   |   | MEVR02824 |                  | FUSIBLE 5X20 1A                         | 2,00 | 10/1996   |         | --    |
| G1   |   | MECI34446 |                  | INTERRUPTEUR REED N.A.H115              | 1,00 |           |         | --    |
| G2   |   | MECI34444 |                  | INTERRUPTEUR REED N.C.H185 L=1300       | 1,00 |           |         | --    |
| IG   |   | MECI40544 |                  | COMMUTATEUR 0-1-2 HD12H022-R000         | 1,00 | 02/1999   |         | --    |
| LC   |   | MECE34831 |                  | FILTRE LC F.AH.DA.3100ZF 6.5A           | 1,00 |           |         | --    |
| PA   |   | MEPD25575 |                  | POMPE DOSEUSE NME-1 24V CPL.            | 1,00 |           |         | --    |
| RT   |   | METT24504 |                  | RELAIS THERM. SIE 3UA5200-2C 16 -25 A   | 1,00 | 05/1999   | 09/2001 | --    |
| RT   |   | METT41888 |                  | CONTACT SIE N.A. 3RH19 21-1EA11         | 1,00 | 10/2001   |         | --    |
| RT   |   | METT45034 |                  | RELAIS THERM. SIE 3RU1126-4BB0 14-20 A  | 1,00 | 10/2001   |         | --    |
| TA   |   | METR34824 |                  | TRANSFORMATEUR 230V-60HZ 2X4000V SP4 CM | 1,00 | 09/1996   |         | --    |
| TH   |   | METK19354 |                  | THERMOSTAT 0-150° L=1200                | 1,00 | 02/1999   |         | --    |
| TR   |   | METR13321 |                  | AUTOTRANSFORM. 400 VA 230-460/24 V      | 1,00 | 10/1999   |         | --    |
| TS   |   | METK34839 |                  | THERMOSTAT 50°C TR/711-N C.1.5          | 1,00 |           |         | --    |
| CV1  |   | MECB17414 |                  | CABLE H07 RNF 4X2.5 L=6.500             | 1,00 |           |         | --    |

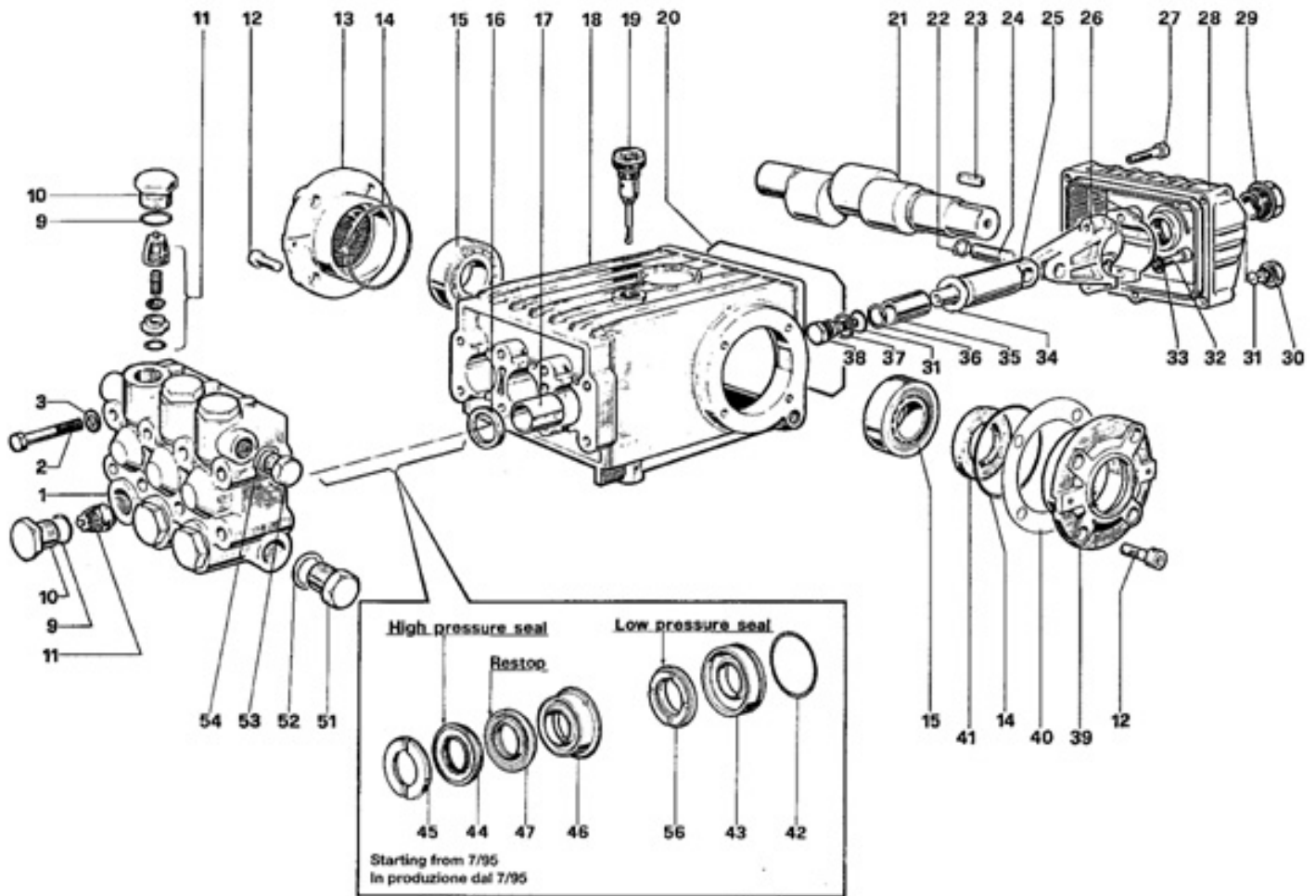




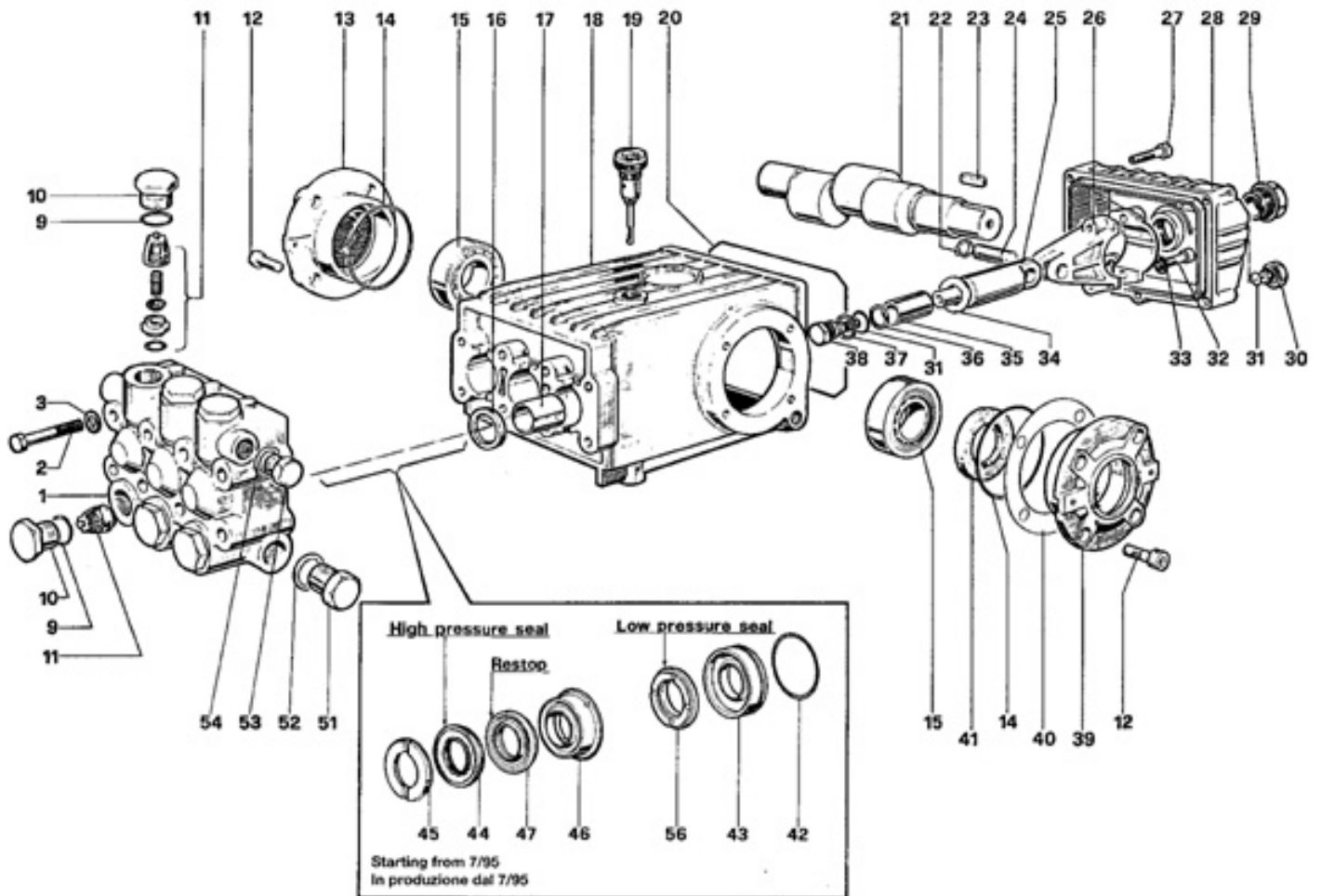
| Ref. K | Part N.   | Customer Part N. | Description            | Qty  | Validity: |    | Price |
|--------|-----------|------------------|------------------------|------|-----------|----|-------|
|        |           |                  |                        |      | From      | To |       |
| 0001   | PVVR08141 |                  | COQUE ST 2000          | 1,00 |           |    | --    |
| 0002   | PVVR08142 |                  | COUVERCLE ST 2000      | 1,00 |           |    | --    |
| 0003   | KTRI10689 |                  | KIT P 26- 1            | 1,00 |           |    | --    |
| 0004   | RCDS08145 |                  | BOUCHON G 1/8" OT      | 1,00 |           |    | --    |
| 0005   | PVVR08146 |                  | CORPS DE LAITONST 2000 | 1,00 |           |    | --    |
| 0006   | VTVT28553 |                  | VIS TCB-TC 3.5X16      | 2,00 |           |    | --    |
| 0007   | PVVR29763 |                  | TUYAU G 1/4" +RCC 3/8" | 1,00 |           |    | --    |
| 0008   | PVVR08147 |                  | RACCORD 1/4 ST 2000    | 1,00 |           |    | --    |
| 0009   | PVVR08149 |                  | PIVOT                  | 1,00 |           |    | --    |
| 0010   | PVVR08143 |                  | LEVIER CONTROLE        | 1,00 |           |    | --    |



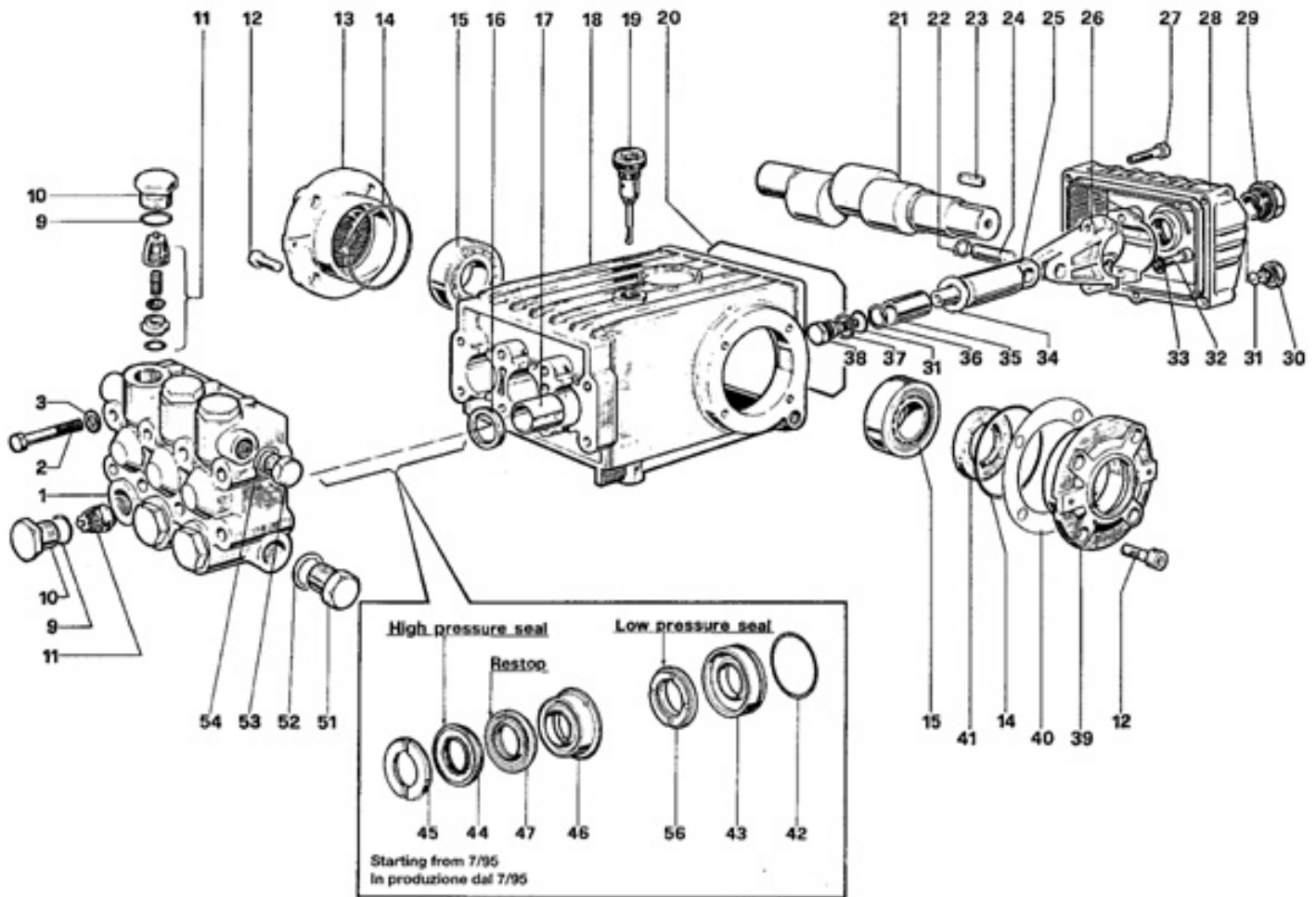
| Ref. | K | Part N.   | Customer Part N. | Description                        | Qty  | Validity: |    | Price |
|------|---|-----------|------------------|------------------------------------|------|-----------|----|-------|
|      |   |           |                  |                                    |      | From      | To |       |
| 0001 |   | MFVR01098 |                  | CULASSE W 201                      | 1,00 |           |    | --    |
| 0002 |   | VTVT01111 |                  | VIS TE M 8X70 UNI 5737             | 8,00 |           |    | --    |
| 0003 |   | VTRS01072 |                  | RONDELLE D. 8 TC                   | 8,00 |           |    | --    |
| 0009 | S | GUGO01033 |                  | O-RING D. 20.24 X 2.62 NBR 90SH    | 6,00 |           |    | --    |
| 0010 | S | RCDS03585 |                  | BOUCHON M24X2X16 W201              | 6,00 |           |    | --    |
| 0011 | S | VVAM01104 |                  | ENSEMBL. CLAPETW 70-151            | 6,00 |           |    | --    |
| 0012 |   | VTVT01118 |                  | VIS TCEI M 8X16 ZC. UNI 5931       | 8,00 |           |    | --    |
| 0013 |   | MFVR03576 |                  | COUVERCLE CART.W151                | 1,00 |           |    | --    |
| 0014 |   | GUGO01041 |                  | O-RING D. 67.95 X 2.62 NBR 70SH    | 2,00 |           |    | --    |
| 0015 |   | CUVR09205 |                  | ROULEM.A ROUL. 32206 A             | 2,00 |           |    | --    |
| 0016 | S | GUGO01000 |                  | JOINT SPI 22X 32X 5.5 NBR70        | 3,00 |           |    | --    |
| 0017 |   | PVVR01011 |                  | DOUILLE W 151                      | 3,00 |           |    | --    |
| 0018 |   | MFVR09204 |                  | CARTER POMPE WS202                 | 1,00 |           |    | --    |
| 0019 |   | PVVR01092 |                  | JAUGE D'HUILE W 151                | 1,00 |           |    | --    |
| 0020 |   | GUVR01027 |                  | GARNITURE COUV.W 151               | 1,00 |           |    | --    |
| 0021 |   | ALMO08365 |                  | ARBRE W 171                        | 1,00 |           |    | --    |
| 0022 |   | VTAE14016 |                  | BAGUE D'ARRET D. 12 UNI 7435       | 6,00 |           |    | --    |
| 0023 |   | VTVR01031 |                  | CLAVETTE 8X7X25 UNI6604            | 1,00 |           |    | --    |
| 0024 |   | PVVR01085 |                  | CHEVILLE-GOUJOND.13X35 W151        | 3,00 |           |    | --    |
| 0025 |   | PVVR15130 |                  | TIGE DE PISTON WS201               | 3,00 |           |    | --    |
| 0026 |   | BLVR01009 |                  | BIELLE W 151                       | 3,00 |           |    | --    |
| 0027 |   | VTVT01116 |                  | VIS TCEI 6X30 UNI5931              | 5,00 |           |    | --    |
| 0028 |   | MFVR03582 |                  | COUVERCLE CART.W 151 POS           | 1,00 |           |    | --    |
| 0029 |   | PVVR01083 |                  | VOYANT HUILE G 3/4 W70-151         | 1,00 |           |    | --    |
| 0030 |   | RCDS01088 |                  | BOUCHON 1/4X 9 M WW90              | 1,00 |           |    | --    |
| 0031 | S | GUGO01036 |                  | O-RING D. 10.82 X 1.78 NBR 70SH    | 4,00 |           |    | --    |
| 0032 |   | VTVT01120 |                  | VIS TCEI 8X35 UNI5931              | 6,00 |           |    | --    |
| 0033 |   | VTRS14242 |                  | RONDELLE D. 8.4X13X0.8 UNI7064 SCH | 6,00 |           |    | --    |
| 0034 | S | VTRS01753 |                  | RONDELLE D.14X28 X0,5              | 3,00 |           |    | --    |
| 0035 |   | PIVR01066 |                  | PISTON D.20X50 W 151               | 3,00 |           |    | --    |
| 0036 | S | GUVR00994 |                  | BAGUE ANTIEXTR.W151                | 3,00 |           |    | --    |
| 0037 | S | VTRS01076 |                  | RONDELLE D.14X18,5X0,5             | 3,00 |           |    | --    |
| 0038 | S | PVVR01107 |                  | VIS PISTON IP W151                 | 3,00 |           |    | --    |
| 0039 |   | MFVR03583 |                  | COUVERCLE CART.W151                | 1,00 |           |    | --    |
| 0040 |   | PVVR01016 |                  | EPAISSEUR 0,1 W 151                | 2,00 |           |    | --    |
| 0041 | S | GUGO01003 |                  | JOINT SPI 30X 55X 7 NBR70          | 1,00 |           |    | --    |
| 0042 | S | GUGO01042 |                  | O-RING D. 34.6 X 1.78 NBR 70SH     | 3,00 |           |    | --    |
| 0043 | S | PVVR00977 |                  | BAGUE P.GARNIT.W151                | 3,00 |           |    | --    |
| 0044 | S | GUVR00981 |                  | BAGUE D'ETANCH.W151                | 6,00 |           |    | --    |



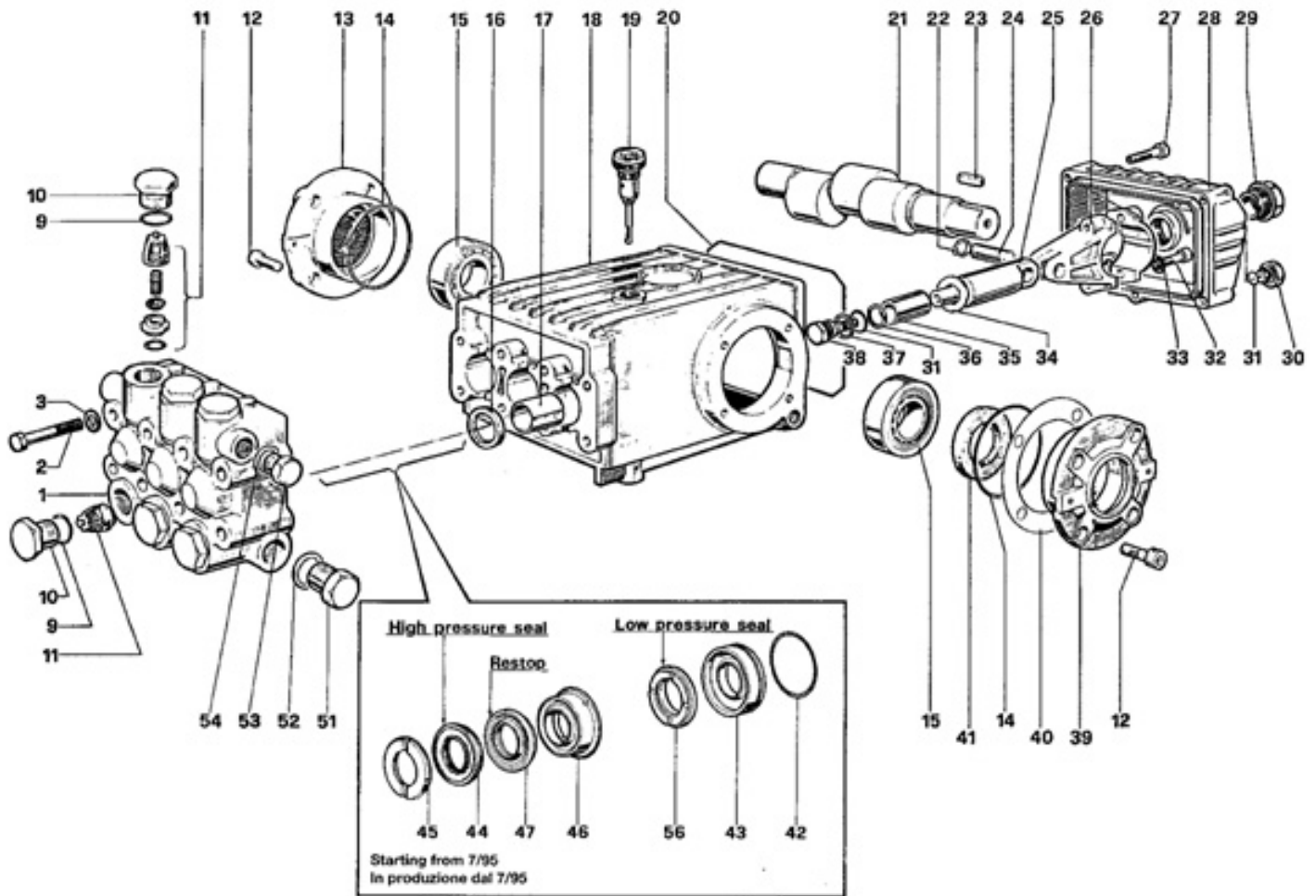
| Ref. | K | Part N.   | Customer Part N. | Description                 | Qty  | Validity: |    | Price |
|------|---|-----------|------------------|-----------------------------|------|-----------|----|-------|
|      |   |           |                  |                             |      | From      | To |       |
| 0045 | S | PVVR00985 |                  | BAGUE DE TETE W151          | 6,00 |           |    | --    |
| 0046 | S | PVVR34589 |                  | BAGUE INTERMED.W 151 D. 20  | 3,00 |           |    | --    |
| 0047 | S | GUVR34587 |                  | BAGUE D'ETANCH.D. 20 RESTOP | 3,00 |           |    | --    |
| 0051 |   | RCDS01091 |                  | BOUCHON 1/2X10 M            | 1,00 |           |    | --    |
| 0052 |   | VTRS01075 |                  | RONDELLE D.21,5X27 ALL      | 1,00 |           |    | --    |
| 0053 |   | RCDS01090 |                  | BOUCHON 3/8X13 M WW90       | 1,00 |           |    | --    |
| 0054 |   | VTRS01074 |                  | RONDELLE D.17,05X22,3 X1,5  | 1,00 |           |    | --    |
| 0056 | S | GUVR34585 |                  | BAGUE D'ETANCH.W 151 L.P.   | 3,00 |           |    | --    |



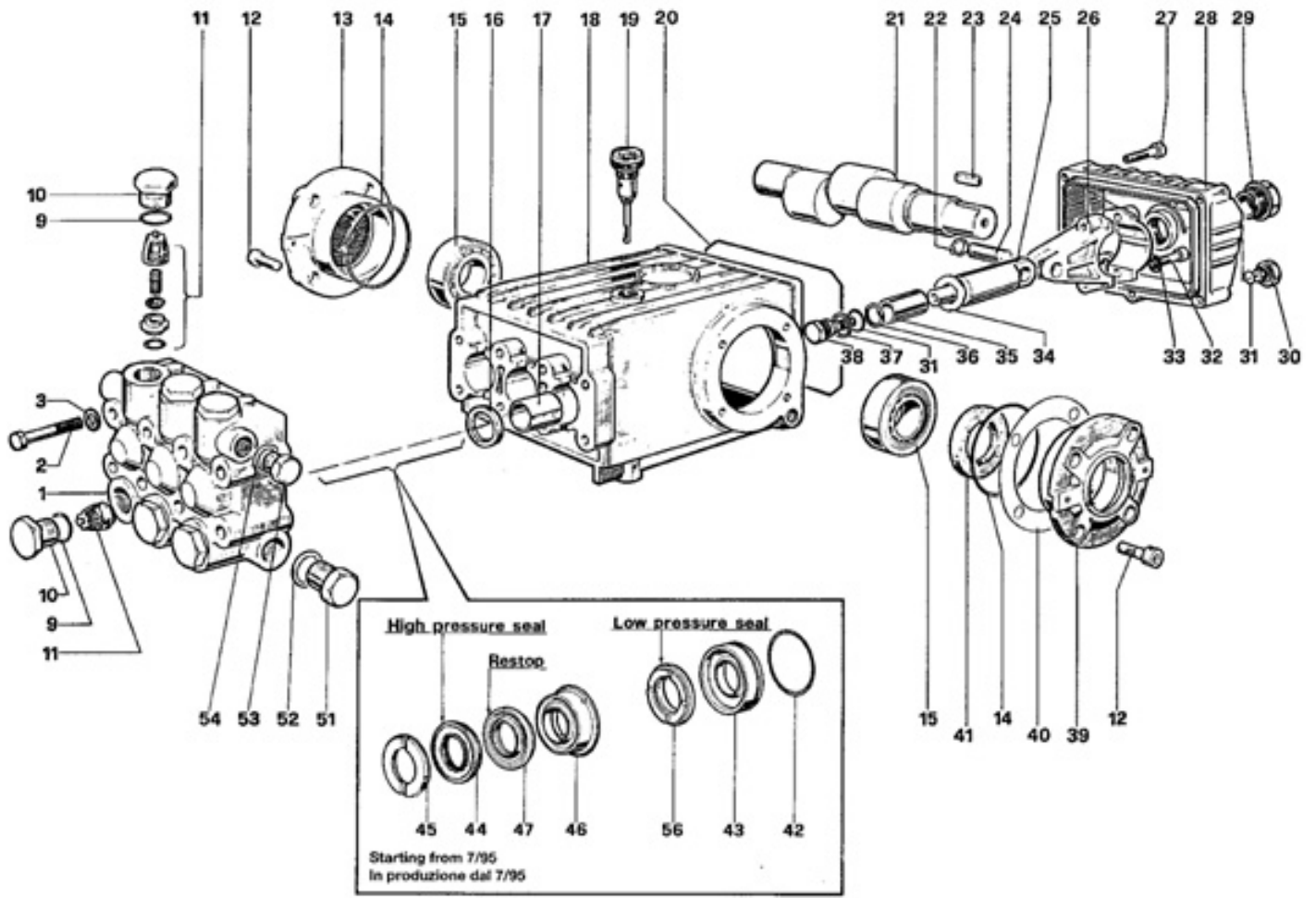
| Ref. Part N. | Cust. Part N. | Description | Reference                          | Price |
|--------------|---------------|-------------|------------------------------------|-------|
| KTRI14900    | KIT P         | 15- 3       | 0041                               | --    |
| KTRI14901    | KIT P         | 10          | 0042 0043                          | --    |
| KTRI17793    | KIT P         | 6           | 0031 0034 0036 0037 0038           | --    |
| KTRI17796    | KIT P         | 5           | 0009 0010                          | --    |
| KTRI17859    | KIT P         | 1           | 0011                               | --    |
| KTRI17860    | KIT P         | 2           | 0016                               | --    |
| KTRI18574    | KIT P         | 7           | 0045                               | --    |
| KTRI18579    | KIT P         | 28          | 0042 0043 0044 0045 0046 0047 0056 | --    |



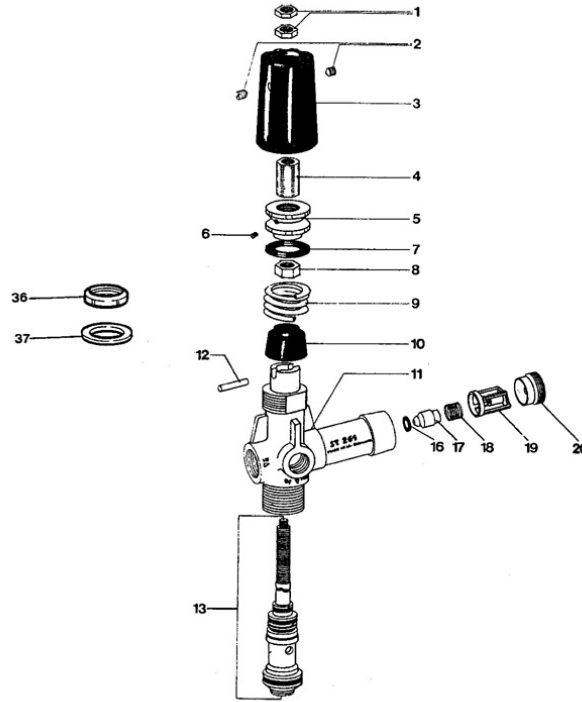
| Ref. | K | Part N.   | Customer Part N. | Description                        | Qty  | Validity: |    | Price |
|------|---|-----------|------------------|------------------------------------|------|-----------|----|-------|
|      |   |           |                  |                                    |      | From      | To |       |
| 0001 |   | MFVR01098 |                  | CULASSE W 201                      | 1,00 |           |    | --    |
| 0002 |   | VTVT01111 |                  | VIS TE M 8X70 UNI 5737             | 8,00 |           |    | --    |
| 0003 |   | VTRS01072 |                  | RONDELLE D. 8 TC                   | 8,00 |           |    | --    |
| 0009 | S | GUGO01033 |                  | O-RING D. 20.24 X 2.62 NBR 90SH    | 6,00 |           |    | --    |
| 0010 | S | RCDS03585 |                  | BOUCHON M24X2X16 W201              | 6,00 |           |    | --    |
| 0011 | S | VVAM01104 |                  | ENSEMBL. CLAPETW 70-151            | 6,00 |           |    | --    |
| 0012 |   | VTVT01118 |                  | VIS TCEI M 8X16 ZC. UNI 5931       | 8,00 |           |    | --    |
| 0013 |   | MFVR03576 |                  | COUVERCLE CART.W151                | 1,00 |           |    | --    |
| 0014 |   | GUGO01041 |                  | O-RING D. 67.95 X 2.62 NBR 70SH    | 2,00 |           |    | --    |
| 0015 |   | CUVR09205 |                  | ROULEM.A ROUL. 32206 A             | 2,00 |           |    | --    |
| 0016 | S | GUGO01000 |                  | JOINT SPI 22X 32X 5.5 NBR70        | 3,00 |           |    | --    |
| 0017 |   | PVVR01011 |                  | DOUILLE W 151                      | 3,00 |           |    | --    |
| 0018 |   | MFVR09204 |                  | CARTER POMPE WS202                 | 1,00 |           |    | --    |
| 0019 |   | PVVR01092 |                  | JAUGE D'HUILE W 151                | 1,00 |           |    | --    |
| 0020 |   | GUVR01027 |                  | GARNITURE COUV.W 151               | 1,00 |           |    | --    |
| 0021 |   | ALMO44259 |                  | ARBRE W 913 USA                    | 1,00 |           |    | --    |
| 0022 |   | VTAE14016 |                  | BAGUE D'ARRET D. 12 UNI 7435       | 6,00 |           |    | --    |
| 0023 |   | VTVR41531 |                  | CLAVETTE 8X 7X35 UNI 6604A         | 1,00 |           |    | --    |
| 0024 |   | PVVR01085 |                  | CHEVILLE-GOUJOND.13X35 W151        | 3,00 |           |    | --    |
| 0025 |   | PVVR15130 |                  | TIGE DE PISTON WS201               | 3,00 |           |    | --    |
| 0026 |   | BLVR01009 |                  | BIELLE W 151                       | 3,00 |           |    | --    |
| 0027 |   | VTVT01116 |                  | VIS TCEI 6X30 UNI5931              | 5,00 |           |    | --    |
| 0028 |   | MFVR03582 |                  | COUVERCLE CART.W 151 POS           | 1,00 |           |    | --    |
| 0029 |   | PVVR01083 |                  | VOYANT HUILE G 3/4 W70-151         | 1,00 |           |    | --    |
| 0030 |   | RCDS01088 |                  | BOUCHON 1/4X 9 M WW90              | 1,00 |           |    | --    |
| 0031 | S | GUGO01036 |                  | O-RING D. 10.82 X 1.78 NBR 70SH    | 4,00 |           |    | --    |
| 0032 |   | VTVT01120 |                  | VIS TCEI 8X35 UNI5931              | 6,00 |           |    | --    |
| 0033 |   | VTRS14242 |                  | RONDELLE D. 8.4X13X0.8 UNI7064 SCH | 6,00 |           |    | --    |
| 0034 | S | VTRS01753 |                  | RONDELLE D.14X28 X0,5              | 3,00 |           |    | --    |
| 0035 |   | PIVR01066 |                  | PISTON D.20X50 W 151               | 3,00 |           |    | --    |
| 0036 | S | GUVR00994 |                  | BAGUE ANTIEXTR.W151                | 3,00 |           |    | --    |
| 0037 | S | VTRS01076 |                  | RONDELLE D.14X18,5X0,5             | 3,00 |           |    | --    |
| 0038 | S | PVVR01107 |                  | VIS PISTON IP W151                 | 3,00 |           |    | --    |
| 0039 |   | MFVR03583 |                  | COUVERCLE CART.W151                | 1,00 |           |    | --    |
| 0040 |   | PVVR01016 |                  | EPAISSEUR 0,1 W 151                | 2,00 |           |    | --    |
| 0041 | S | GUGO01003 |                  | JOINT SPI 30X 55X 7 NBR70          | 1,00 |           |    | --    |
| 0042 | S | GUGO01042 |                  | O-RING D. 34.6 X 1.78 NBR 70SH     | 3,00 |           |    | --    |
| 0043 | S | PVVR00977 |                  | BAGUE P.GARNIT.W151                | 3,00 |           |    | --    |
| 0044 | S | GUVR00981 |                  | BAGUE D'ETANCH.W151                | 6,00 |           |    | --    |



| Ref. | K | Part N.   | Customer Part N. | Description                 | Qty  | Validity: |    | Price |
|------|---|-----------|------------------|-----------------------------|------|-----------|----|-------|
|      |   |           |                  |                             |      | From      | To |       |
| 0045 | S | PVVR00985 |                  | BAGUE DE TETE W151          | 6,00 |           |    | --    |
| 0046 | S | PVVR34589 |                  | BAGUE INTERMED.W 151 D. 20  | 3,00 |           |    | --    |
| 0047 | S | GUVR34587 |                  | BAGUE D'ETANCH.D. 20 RESTOP | 3,00 |           |    | --    |
| 0051 |   | RCDS01091 |                  | BOUCHON 1/2X10 M            | 1,00 |           |    | --    |
| 0052 |   | VTRS01075 |                  | RONDELLE D.21,5X27 ALL      | 1,00 |           |    | --    |
| 0053 |   | RCDS01090 |                  | BOUCHON 3/8X13 M WW90       | 1,00 |           |    | --    |
| 0054 |   | VTRS01074 |                  | RONDELLE D.17,05X22,3 X1,5  | 1,00 |           |    | --    |
| 0056 | S | GUVR34585 |                  | BAGUE D'ETANCH.W 151 L.P.   | 3,00 |           |    | --    |

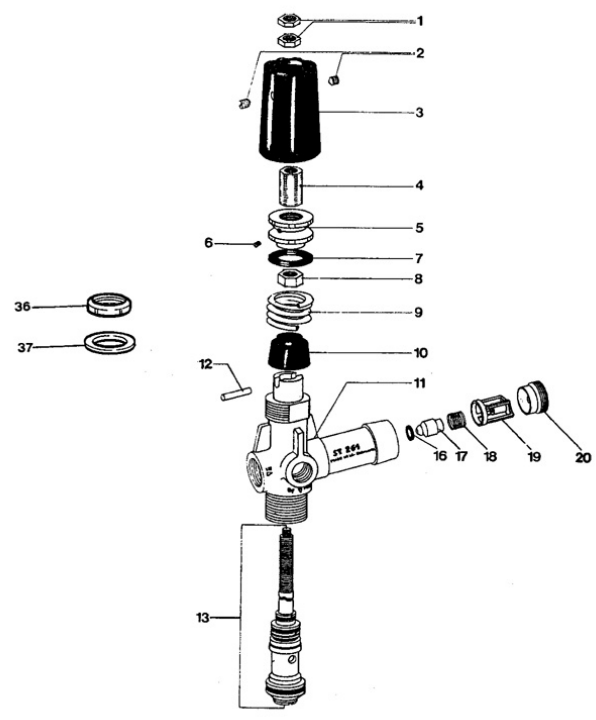


| Ref. Part N. | Cust. Part N. | Description | Reference                          | Price |
|--------------|---------------|-------------|------------------------------------|-------|
| KTRI14900    | KIT P         | 15- 3       | 0041                               | --    |
| KTRI14901    | KIT P         | 10          | 0042 0043                          | --    |
| KTRI17793    | KIT P         | 6           | 0031 0034 0036 0037 0038           | --    |
| KTRI17796    | KIT P         | 5           | 0009 0010                          | --    |
| KTRI17859    | KIT P         | 1           | 0011                               | --    |
| KTRI17860    | KIT P         | 2           | 0016                               | --    |
| KTRI18574    | KIT P         | 7           | 0045                               | --    |
| KTRI18579    | KIT P         | 28          | 0042 0043 0044 0045 0046 0047 0056 | --    |

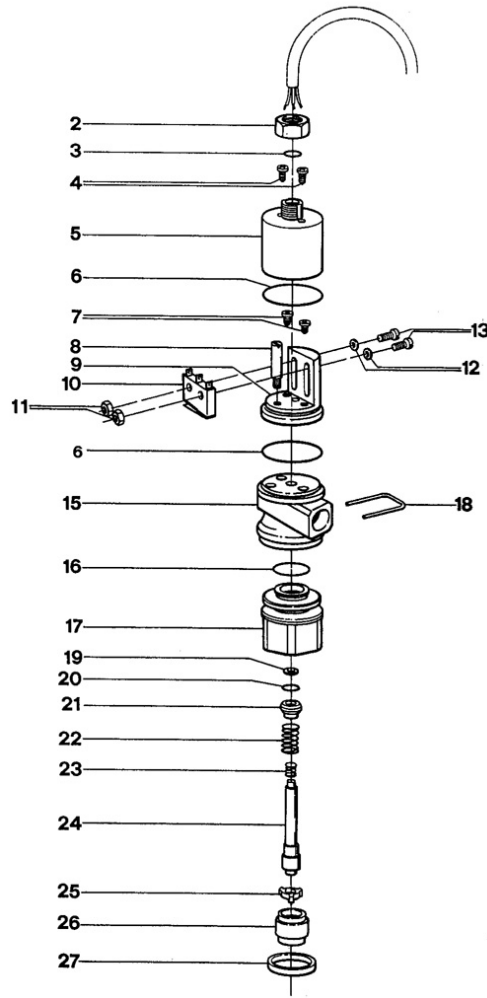


| Ref. K | Part N.     | Customer Part N. | Description                | Qty  | Validity: |    | Price |
|--------|-------------|------------------|----------------------------|------|-----------|----|-------|
|        |             |                  |                            |      | From      | To |       |
| 0001   | VTDD14926   |                  | ECROU M6X1 UNI5589         | 2,00 |           |    | --    |
| 0002   | VTVT08589   |                  | VIS EI-ST 5X 6             | 2,00 |           |    | --    |
| 0003   | MPVR09436   |                  | POIGNEE NOIRE ST 260       | 1,00 |           |    | --    |
| 0004   | PVVR14933   |                  | VIS                        | 1,00 |           |    | --    |
| 0005   | VTVT14927   |                  | VIS                        | 1,00 |           |    | --    |
| 0006   | VTVT14925   |                  | VIS EI-ST 5X 6 UNI5929     | 2,00 |           |    | --    |
| 0007   | GUVR14928   |                  | BAGUE                      | 1,00 |           |    | --    |
| 0008   | VTDD14930   |                  | ECROU M8X1 UNI5588         | 1,00 |           |    | --    |
| 0009   | MLML14929   |                  | RESSORT D.18X4X28          | 1,00 |           |    | --    |
| 0010   | PVVR16955   |                  | SIEGE RESSORT ST           | 1,00 |           |    | --    |
| 0011   | PVVR16956   |                  | CORPS VALVE ST 261         | 1,00 |           |    | --    |
| 0012   | PVVR16957   |                  | PIVOT D. 3X13 ST           | 1,00 |           |    | --    |
| 0013   | KTRI16958   |                  | KIT P 14- 20               | 1,00 |           |    | --    |
| 0016   | S GUGO10373 |                  | O-RING D. 5 X 2.5 VIT 80SH | 1,00 |           |    | --    |
| 0017   | S PVVR08615 |                  | PARTIE DE SOUP.            | 1,00 |           |    | --    |
| 0018   | S MLML08616 |                  | RESSORT                    | 1,00 |           |    | --    |
| 0019   | S PVVR08617 |                  | CAGE SOUPAPE               | 1,00 |           |    | --    |
| 0020   | PVVR08618   |                  | ECROU                      | 1,00 |           |    | --    |
| 0036   | PVVR10580   |                  | ECROU                      | 1,00 |           |    | --    |
| 0037   | VTRS17544   |                  | RONDELLE D.30X41.5X2 ST    | 1,00 |           |    | --    |

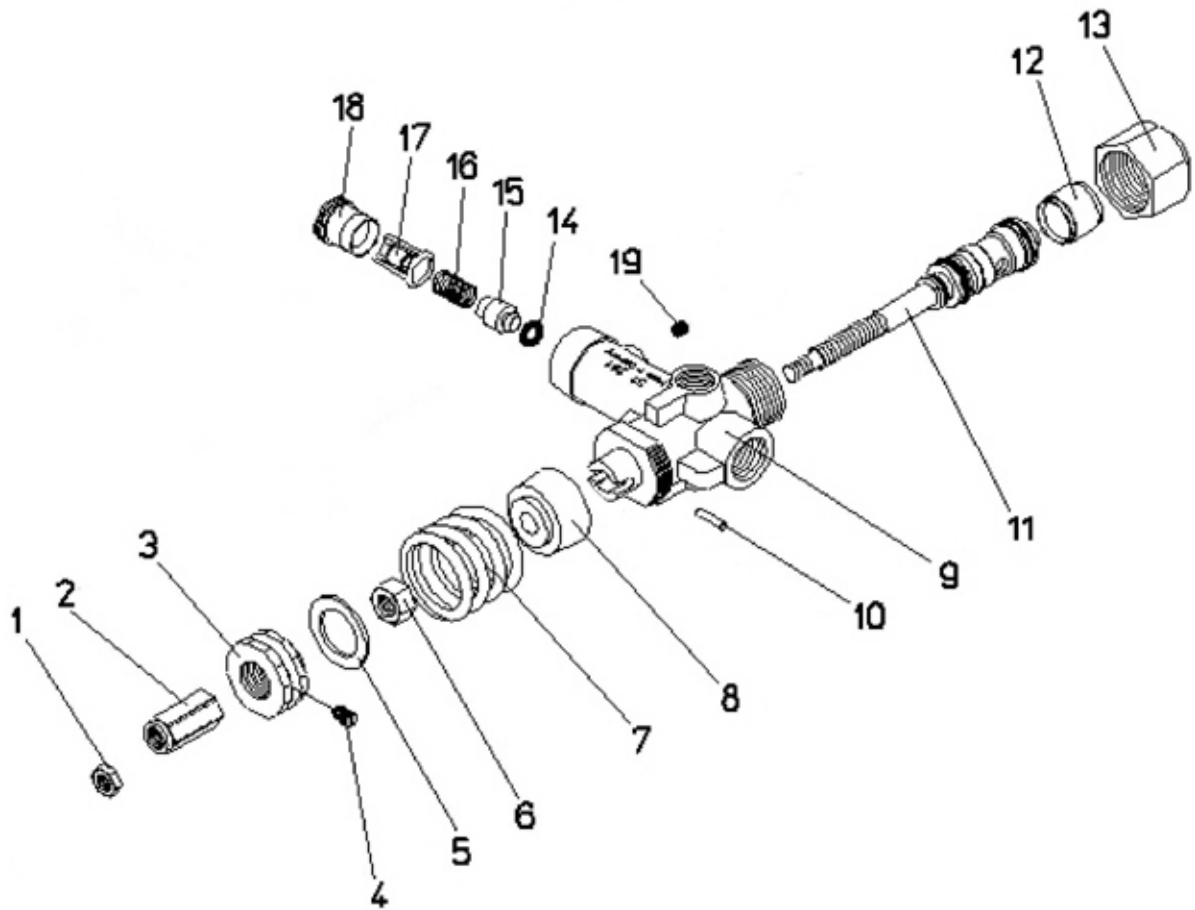




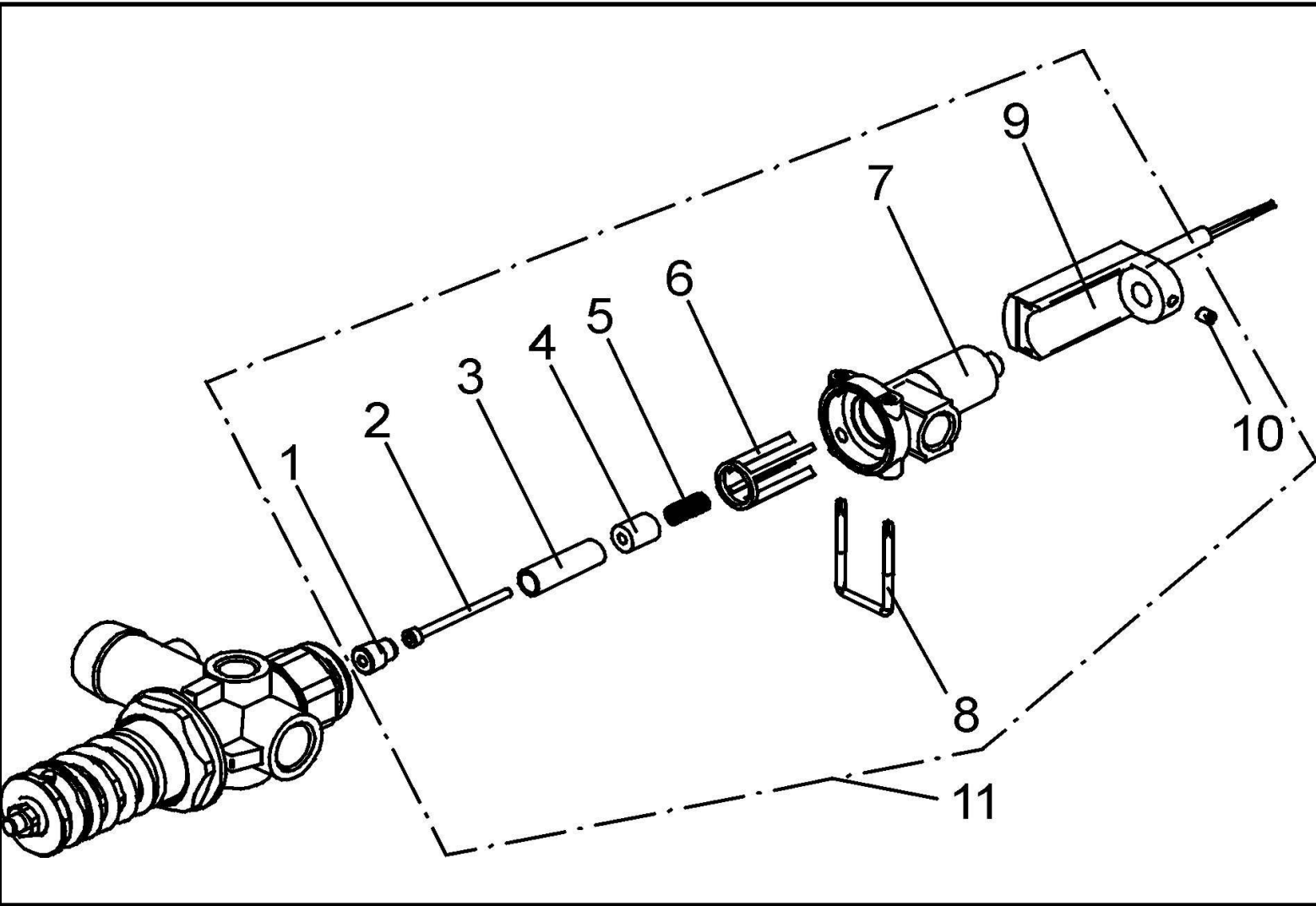
| Ref. Part N. | Cust. Part N. | Description | Reference           | Price |
|--------------|---------------|-------------|---------------------|-------|
| KTRI14653    |               | KIT P 14- 4 | 0016 0017 0018 0019 | --    |



| Ref. K | Part N.   | Customer Part N. | Description                  | Qty  | Validity: |    | Price |
|--------|-----------|------------------|------------------------------|------|-----------|----|-------|
|        |           |                  |                              |      | From      | To |       |
| 0002   | VTDD08624 |                  | ECROU ST 260                 | 1,00 |           |    | --    |
| 0003   | GUGO10373 |                  | O-RING D. 5 X 2.5 VIT 80SH   | 1,00 |           |    | --    |
| 0004   | VTVT08630 |                  | VIS TCB 2,9 X 9,5            | 2,00 |           |    | --    |
| 0005   | PVVR08628 |                  | REVETEMENT ST 260 S          | 1,00 |           |    | --    |
| 0006   | GUGO08629 |                  | O-RING D. 24 X 1.5 NBR 70SH  | 2,00 |           |    | --    |
| 0007   | VTVT08630 |                  | VIS TCB 2,9 X 9,5            | 2,00 |           |    | --    |
| 0008   | PVVR08631 |                  | ECROU                        | 1,00 |           |    | --    |
| 0009   | PVVR08632 |                  | REVETEMENT ST 260 M          | 1,00 |           |    | --    |
| 0011   | VTDD08634 |                  | ECROU                        | 1,00 |           |    | --    |
| 0012   | VTRS13332 |                  | RONDELLE OTT                 | 2,00 |           |    | --    |
| 0013   | VTVT08643 |                  | VIS                          | 2,00 |           |    | --    |
| 0015   | PVVR17568 |                  | CORPS SW 261                 | 1,00 |           |    | --    |
| 0016   | GUGO08609 |                  | O-RING D. 15 X 1.5 EPDM70SH  | 1,00 |           |    | --    |
| 0017   | PVVR17569 |                  | CORPS SW 261                 | 1,00 |           |    | --    |
| 0018   | VTVR17570 |                  | GOUPILLE ST                  | 1,00 |           |    | --    |
| 0019   | GUVR13333 |                  | BAGUE ANTIEXTR.              | 1,00 |           |    | --    |
| 0020   | GUGO07014 |                  | O-RING D. 3.3 X 2.4 EPDM80SH | 1,00 |           |    | --    |
| 0021   | PVVR13334 |                  | ENTRETOISE OTT               | 1,00 |           |    | --    |
| 0022   | MLML13335 |                  | RESSORT                      | 1,00 |           |    | --    |
| 0023   | MLML08639 |                  | RESSORT                      | 1,00 |           |    | --    |
| 0024   | PVVR17571 |                  | TIGE ST 261                  | 1,00 |           |    | --    |
| 0025   | PVVR08641 |                  | GUIDE TOURILLON              | 1,00 |           |    | --    |
| 0026   | PVVR17572 |                  | ENTRETOISE ST                | 1,00 |           |    | --    |
| 0027   | VTRS17573 |                  | RONDELLE ST                  | 1,00 |           |    | --    |



| Ref. K | Part N.   | Customer Part N. | Description                | Qty  | Validity: |    | Price |
|--------|-----------|------------------|----------------------------|------|-----------|----|-------|
|        |           |                  |                            |      | From      | To |       |
| 0001   | VTDD14926 |                  | ECROU M6X1 UNI5589         | 1,00 |           |    | --    |
| 0002   | PVVR14933 |                  | VIS                        | 1,00 |           |    | --    |
| 0003   | VTVT14927 |                  | VIS                        | 1,00 |           |    | --    |
| 0004   | VTVT14925 |                  | VIS EI-ST 5X 6 UNI5929     | 1,00 |           |    | --    |
| 0005   | GUVR14928 |                  | BAGUE                      | 1,00 |           |    | --    |
| 0006   | VTDD14930 |                  | ECROU M8X1 UNI5588         | 1,00 |           |    | --    |
| 0007   | MLML14929 |                  | RESSORT D.18X4X28          | 1,00 |           |    | --    |
| 0008   | PVVR16955 |                  | SIEGE RESSORT ST           | 1,00 |           |    | --    |
| 0009   | PVVR88455 |                  | CORPS VALVE K3             | 1,00 |           |    | --    |
| 0010   | PVVR16957 |                  | PIVOT D. 3X13 ST           | 1,00 |           |    | --    |
| 0011   | KTRI16958 |                  | KIT P 14- 20               | 1,00 |           |    | --    |
| 0012   | PVVR88456 |                  | ENTRETOISE CBX             | 1,00 |           |    | --    |
| 0013   | PVVR88457 |                  | BOUCHON                    | 1,00 |           |    | --    |
| 0014   | GUGO10373 |                  | O-RING D. 5 X 2.5 VIT 80SH | 1,00 |           |    | --    |
| 0015   | PVVR08615 |                  | PARTIE DE SOUP.            | 1,00 |           |    | --    |
| 0016   | MLML08616 |                  | RESSORT                    | 1,00 |           |    | --    |
| 0017   | PVVR08617 |                  | CAGE SOUPAPE               | 1,00 |           |    | --    |
| 0018   | PVVR08618 |                  | ECROU                      | 1,00 |           |    | --    |



| Ref. K | Part N.   | Customer Part N. | Description                     | Qty  | Validity: From | To | Price |
|--------|-----------|------------------|---------------------------------|------|----------------|----|-------|
| 0001   | PVVR88345 |                  | TUYAU RD. ST261.1               | 1,00 |                |    | --    |
| 0002   | PVVR88346 |                  | TIGE SOUPAPE REED ST261.1       | 1,00 |                |    | --    |
| 0003   | PVVR88347 |                  | DOUILLE REED ST261.1            | 1,00 |                |    | --    |
| 0004   | MEEG88348 |                  | ELECTROAIMANT RD. ST261.1       | 1,00 |                |    | --    |
| 0005   | MLML88349 |                  | RESSORT RD. ST261.1             | 1,00 |                |    | --    |
| 0006   | PVVR88350 |                  | GUIDE SOUPAPE RD. ST261.1       | 1,00 |                |    | --    |
| 0007   | PVVR88351 |                  | CORPS RD. ST261.1               | 1,00 |                |    | --    |
| 0008   | VTVR17570 |                  | GOUPILLE ST                     | 1,00 |                |    | --    |
| 0009   | MECI88352 |                  | INTERRUPTEUR REED ST261.1 -2WR. | 1,00 |                |    | --    |
| 0010   | VTVT08589 |                  | VIS EI-ST 5X 6                  | 1,00 |                |    | --    |
| 0011   | MEPF88344 |                  | SONDE REED ST261.1 -2WR.        | 1,00 |                |    | --    |