



**IPC Integrated Professional Cleaning**

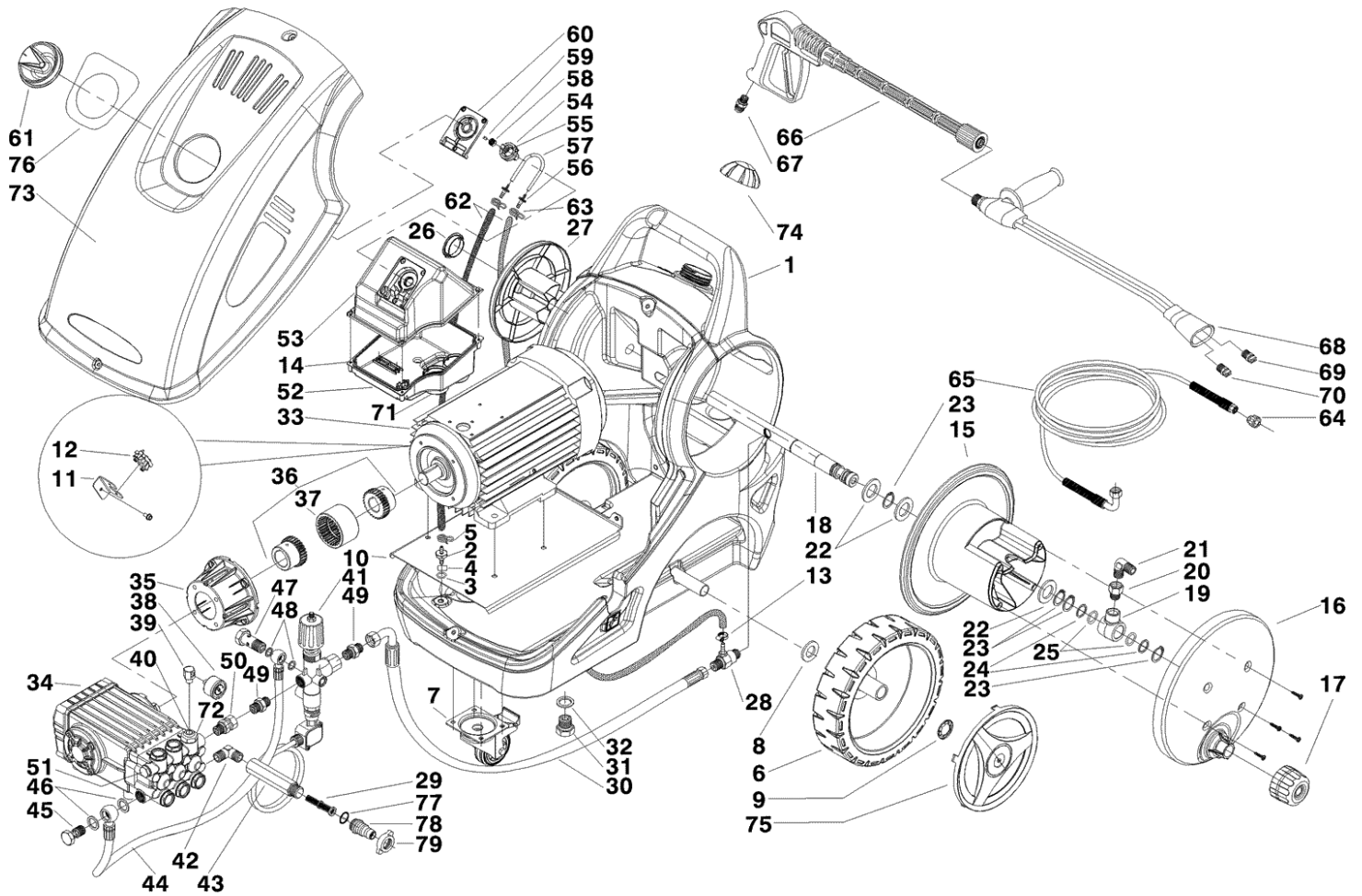
**IPC**Portotecnica

## **Spare Parts List**

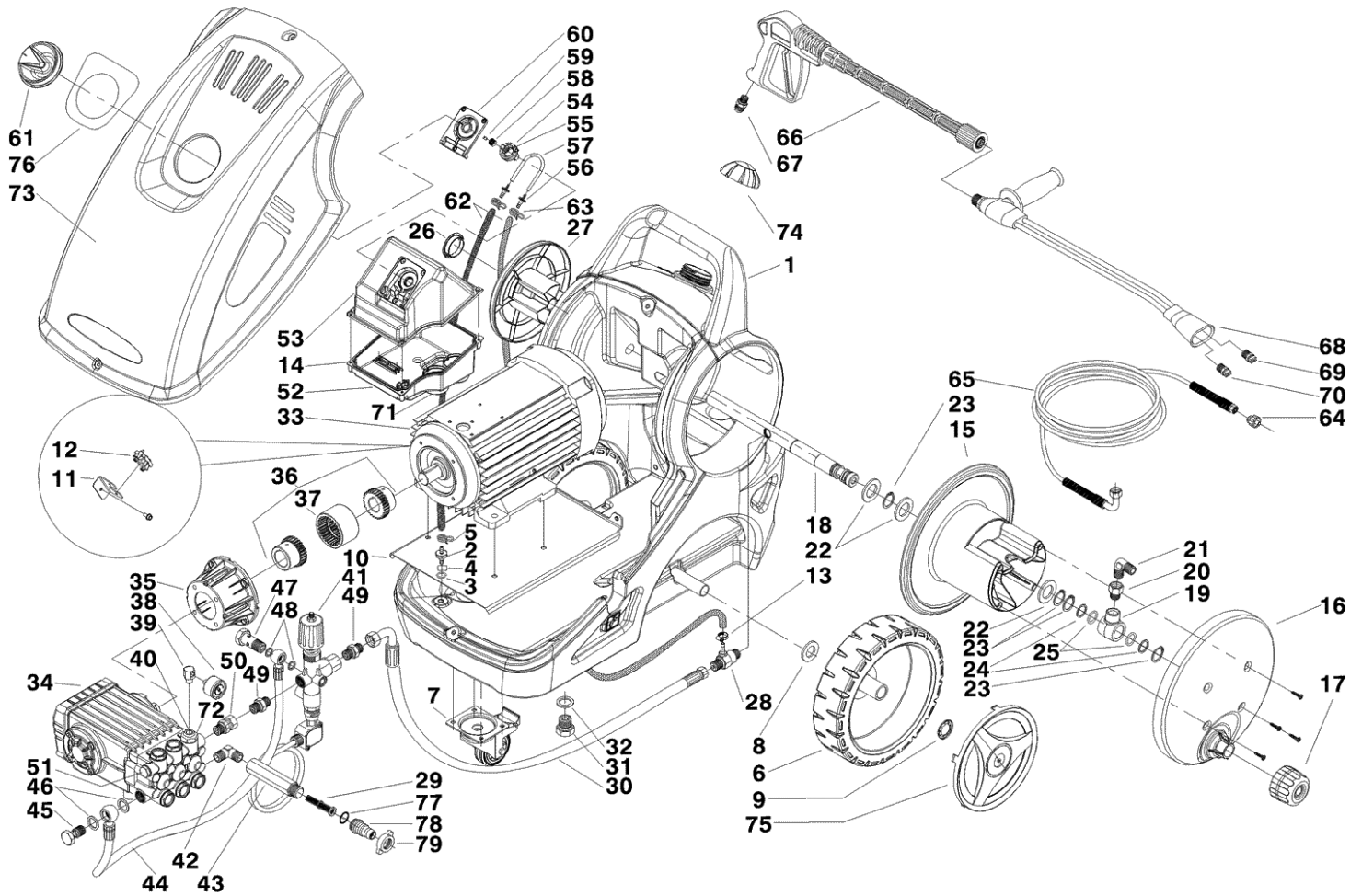
**IPCICA**

**Ref: IDAF89838**

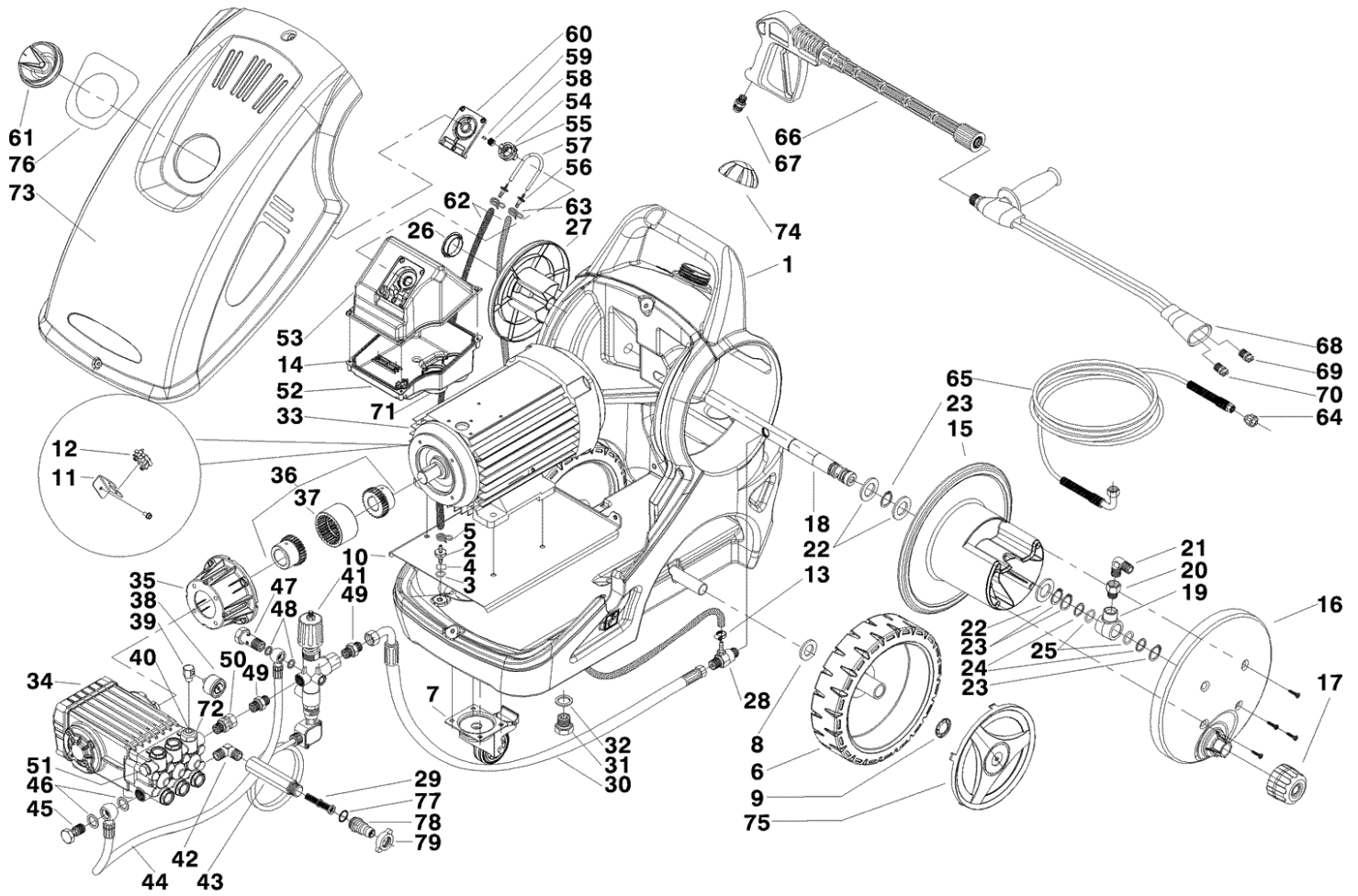
**Model: IDROP EVOLUT.X5 DS 2980 T 400/50 3-01PRT**



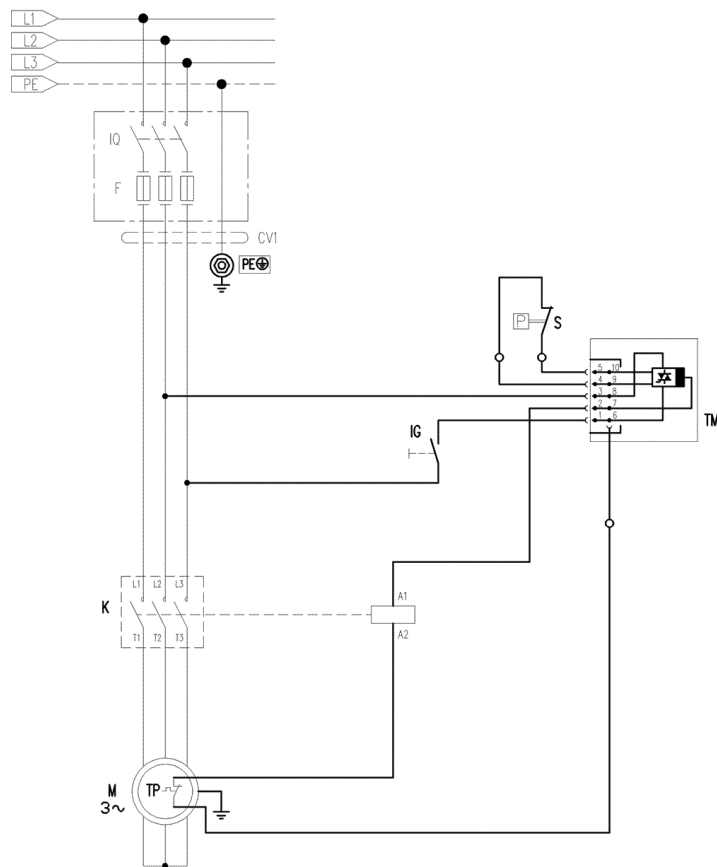
| Ref. | K | Part N.   | Customer Part N. | Description                              | Qty  | Validity:<br>From To | Price   |
|------|---|-----------|------------------|--|------|----------------------|---------|
| 0001 |   | MPVR89771 |                  | CHARIOT P237-10CV C.SB. PELD BK.         | 1,00 |                      | --      |
| 0002 |   | RCDS88373 |                  | RACC. P. TUYAU 1/8 M D. 3- 7             | 1,00 |                      | --      |
| 0003 |   | GUGO01054 |                  | O-RING D. 15.08 X 2.62 NBR 70SH          | 1,00 |                      | --      |
| 0004 |   | TBBP15347 |                  | TUYAU B.P. D. 6- 8 RILSAN NT.            | 0,05 |                      | --      |
| 0005 |   | FSVR72800 |                  | COLLIER D 8.3 - 8.8                      | 1,00 |                      | --      |
| 0006 |   | RTRT45383 |                  | ROUE D.305-D.25 RT-IPC                   | 2,00 |                      | --      |
| 0007 |   | RTRT12872 |                  | ROUE PIVOTTANTE. 80 - P60X 80 - FR M.PL  | 1,00 |                      | --      |
| 0008 |   | VTRS73055 |                  | RONDELLE D.44x26x4                       | 2,00 |                      | --      |
| 0009 |   | VTRS09813 |                  | RONDELLE D.25                            | 2,00 |                      | --      |
| 0010 |   | LAFN40040 |                  | SUPPORT MOTEUR P237 H.112 2V.            | 1,00 | 05/2007              | --      |
| 0010 |   | LAFN89773 |                  | SUPPORT MOTEUR P237 H.112                | 1,00 |                      | 05/2007 |
| 0011 |   | LAFN89774 |                  | SUPPORT P237 ZC.                         | 1,00 |                      | --      |
| 0012 |   | MEVR33994 |                  | COLLIER DE SER.4228 B D. 6- 18           | 1,00 |                      | --      |
| 0013 |   | FSVR00427 |                  | COLLIER D. 12 CLIC 66-110                | 1,00 |                      | --      |
| 0014 |   | GUGO11309 |                  | JOINT MOUSSE D. 3                        | 0,80 |                      | --      |
| 0015 |   | MPVR89766 |                  | TAMBOUR P237 PPL BK.                     | 1,00 |                      | --      |
| 0016 |   | MPVR89765 |                  | COUVERCLE P237 PA6 BK.                   | 1,00 |                      | --      |
| 0017 |   | MPVR89764 |                  | MANIVELLE P237 PA6                       | 1,00 |                      | --      |
| 0018 |   | LAFN89791 |                  | AXE P237-10CV 2PZ.                       | 1,00 |                      | --      |
| 0019 |   | RCDS89862 |                  | BLOCAGE PRT-P237 G3/8 OT.                | 1,00 |                      | --      |
| 0020 |   | RCVR62626 |                  | MANCHON 3/8 M/F L=30.5                   | 1,00 |                      | --      |
| 0021 |   | RCVR40590 |                  | COUDE 3/8" M A.P. OT.MTM                 | 1,00 |                      | --      |
| 0022 |   | VTRS04924 |                  | RONDELLE D.23X 39                        | 3,00 |                      | --      |
| 0023 |   | VTAE33674 |                  | BAGUE D'ARRET D. 22 UNI 7435             | 4,00 |                      | --      |
| 0024 |   | GUVR37665 |                  | BAGUE ANTIEXTR.D.17.8X22 X1.5 PTFE       | 2,00 |                      | --      |
| 0025 |   | GUGO01032 |                  | O-RING D. 17.13 X 2.62 NBR 70SH          | 2,00 |                      | --      |
| 0026 |   | MPVR89776 |                  | BOUCHON P237 A.CB.                       | 1,00 |                      | --      |
| 0027 |   | MPVR89777 |                  | ENROULEUR P237                           | 1,00 |                      | --      |
| 0028 |   | EIDT89861 |                  | EJECTEUR 1/2-1/4 M D.2.3 P237-MV         | 1,00 |                      | --      |
| 0029 |   | FTAC30214 |                  | FILTRE D.15X67                           | 1,00 |                      | --      |
| 0030 |   | TBAP89857 |                  | TUYAU D.JONCT. 3/ 8 R2 L=480 1/2F-3/8F90 | 1,00 |                      | --      |
| 0031 |   | RCDS89769 |                  | BOUCHON M12X1 CH.6 H.20 OT.              | 1,00 |                      | --      |
| 0032 |   | GUGO76542 |                  | O-RING D. 23.47 X 2.62 NBR 70SH          | 1,00 |                      | --      |
| 0033 |   | MOTR89784 |                  | MOTEUR 3PH B3-14 HP10 23/400-50 E.X5     | 1,00 |                      | --      |
| 0034 |   | PPAP42347 |                  | POMPE WS102 DX LT 21-100 BAR US          | 1,00 |                      | --      |
| 0035 |   | MFVR89552 |                  | BRIDE MOTEUR H 112 B14-P237 9HP          | 1,00 |                      | --      |
| 0036 |   | FGGT88467 |                  | ACC. ELASTIQUE P105 HP 9.0 CPL.          | 1,00 |                      | --      |
| 0037 |   | FGGT88465 |                  | MANCHON D.60(65)TGH                      | 1,00 |                      | --      |
| 0038 |   | MNMN89877 |                  | MANOMETRE G1/4 0-315 D.50 INOX           | 1,00 |                      | --      |



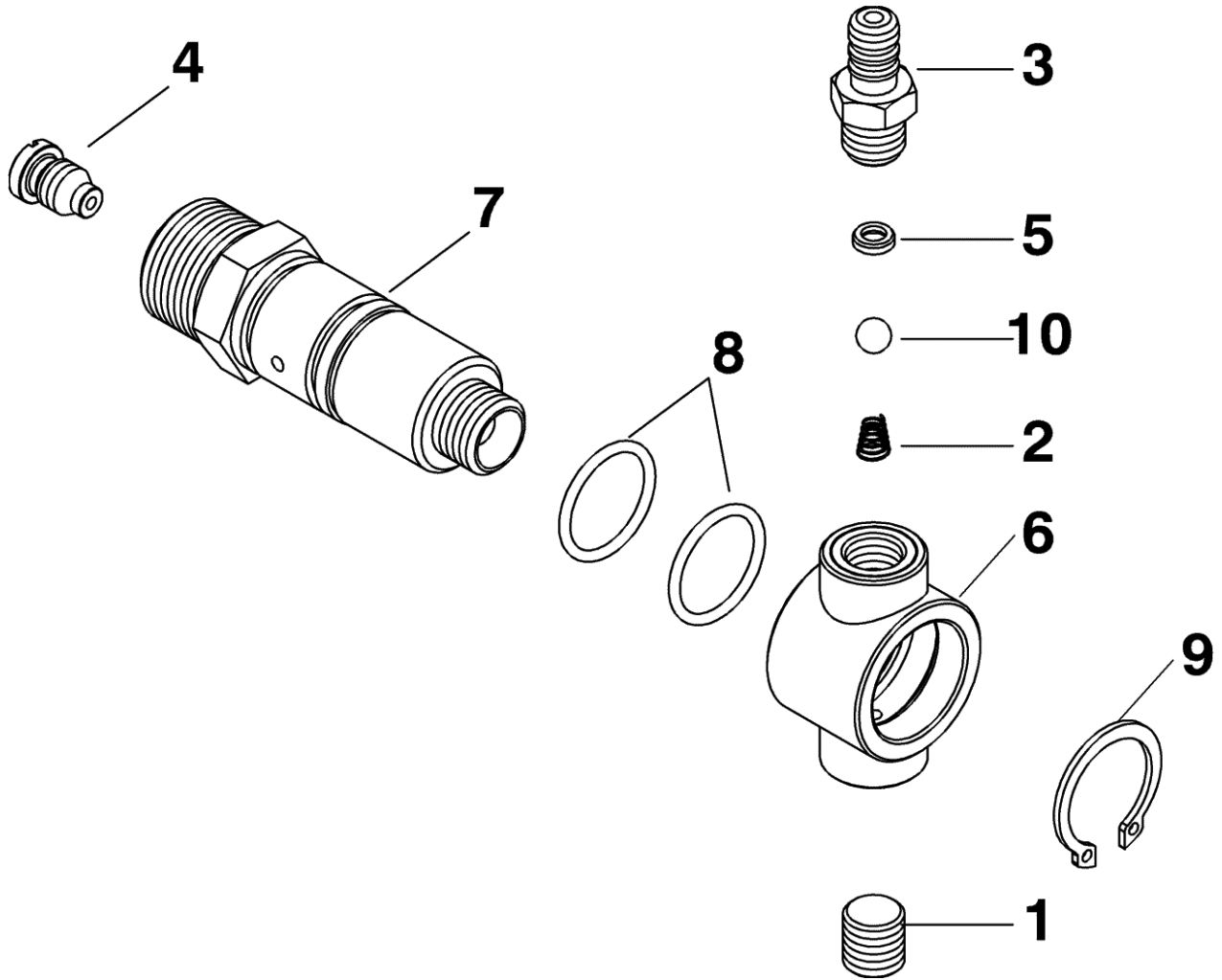
| Ref. | K | Part N.   | Customer Part N. | Description                          | Qty  | Validity:<br>From To | Price   |
|------|---|-----------|------------------|--------------------------------------|------|----------------------|---------|
| 0039 |   | RCDS76675 |                  | BOUCHON M24X2X16,5 C/F.1/4 OT.       | 1,00 |                      | --      |
| 0040 |   | RCDS89792 |                  | RACCORD G 1/4M -1/4F 90° P237 OT     | 1,00 |                      | --      |
| 0041 |   | VVAZ89669 |                  | SOUPAPE BP 9 3/8F-250B. +SWITCH      | 1,00 |                      | --      |
| 0043 |   | RCDS89865 |                  | MANCHON 3/4-1/2 M/F P237 OT          | 1,00 |                      | --      |
| 0044 |   | TBBP28994 |                  | TUYAU B.P. L= 390 1/2OCC-3/8OCC. 90° | 1,00 |                      | --      |
| 0045 |   | RCDS16328 |                  | VIS CREUSE G 1/2 D.8                 | 1,00 |                      | --      |
| 0046 |   | VTRS12491 |                  | RONDELLE 1/2                         | 2,00 |                      | --      |
| 0047 |   | RCDS01371 |                  | VIS CREUSE G 3/8 A.P.                | 1,00 |                      | --      |
| 0048 |   | VTRS12492 |                  | RONDELLE 3/8                         | 2,00 |                      | --      |
| 0049 |   | RCDS00610 |                  | NIPPLE 3/8 - 3/8 SV                  | 2,00 |                      | --      |
| 0050 |   | RCVR00563 |                  | JOINT ROTATIF 3/8 M/F                | 1,00 |                      | --      |
| 0051 |   | RCVR00659 |                  | BOUCHON 1/4 M                        | 1,00 |                      | --      |
| 0052 |   | MPVR89768 |                  | BOITE CONTROLE P237 PA6 BK.          | 1,00 |                      | --      |
| 0053 |   | MPVR89767 |                  | COUVERCLE BOITEP237 PA6 BK.          | 1,00 |                      | --      |
| 0054 |   | MPVR89759 |                  | TALON P237 INT. PA6 BK.              | 1,00 |                      | --      |
| 0055 |   | GUGO01032 |                  | O-RING D. 17.13 X 2.62 NBR 70SH      | 1,00 | 09/2006              | --      |
| 0055 |   | GUGO19395 |                  | O-RING D. 20.24 X 2.62 NBR 70SH      | 1,00 |                      | 09/2006 |
| 0056 |   | RCDS89761 |                  | RACC. P. TUYAU PA6 D. 3.5-7 P237     | 2,00 |                      | --      |
| 0057 |   | TBBP89815 |                  | TUYAU B.P. D. 4- 8.5 SILIC. NT.      | 0,19 |                      | --      |
| 0058 |   | MPVR89760 |                  | GALET TENDEUR P237 PA6 BK.           | 1,00 |                      | --      |
| 0059 |   | LAFN89793 |                  | PIVOT P237 INX                       | 1,00 |                      | --      |
| 0060 |   | MPVR89763 |                  | COUVERCLE P237 PA6 BK.               | 1,00 |                      | --      |
| 0061 |   | MPVR89762 |                  | POIGNEE NOIRE P237 PA6               | 1,00 |                      | --      |
| 0062 |   | TBBP04917 |                  | TUYAU B.P. D. 6- 9                   | 1,15 |                      | --      |
| 0063 |   | FSVR72803 |                  | COLLIER D 9.3 - 9.9                  | 2,00 |                      | --      |
| 0064 |   | RCIN89882 |                  | RONDELLE G 1/2F +INN.G1/4M L.14.5    | 1,00 |                      | 03/2007 |
| 0065 |   | TBAP89859 |                  | TUYAU H.P. R1 MT 15 5/16" 1/4F- 3/8F | 1,00 |                      | 03/2007 |
| 0065 |   | TBAP40013 |                  | TUYAU H.P. R1 MT 15 5/16" IRV X-3/8F | 1,00 | 03/2007              | --      |
| 0066 |   | IPPR86137 |                  | POIGNEE ST 2300 - P 330 - M3/8 M     | 1,00 |                      | 03/2007 |
| 0066 |   | IPPR89429 |                  | POIGNEE G 4500 - P.330 -M22SW.M V    | 1,00 | 03/2007              | --      |
| 0067 |   | RCIN73010 |                  | EMBRAYAGE A VIS3/8 F                 | 1,00 |                      | 03/2007 |
| 0068 |   | LCPR12983 |                  | RALLONGE DOUBLEPD 70                 | 1,00 |                      | --      |
| 0069 |   | UGLN05174 |                  | BUSE 1/4 5040 OT                     | 1,00 |                      | 05/2006 |
| 0069 |   | UGLN89941 |                  | BUSE LECH 1/4 6070 OT.               | 1,00 | 05/2006              | --      |
| 0070 |   | UGLN49996 |                  | BUSE LECH 1/4 2507                   | 1,00 |                      | --      |
| 0071 |   | GUGO89794 |                  | O-RING 41.28 X 3.53- NBR -70SH       | 1,00 |                      | --      |
| 0072 |   | GUGO01033 |                  | O-RING D. 20.24 X 2.62 NBR 90SH      | 1,00 |                      | --      |
| 0073 |   | MPVR89647 |                  | COUVERT.ROUGE P237-10CV PP           | 1,00 |                      | --      |
| 0074 |   | MPVR45426 |                  | BOUCHON RESERV.P176 PEHD             | 1,00 |                      | --      |



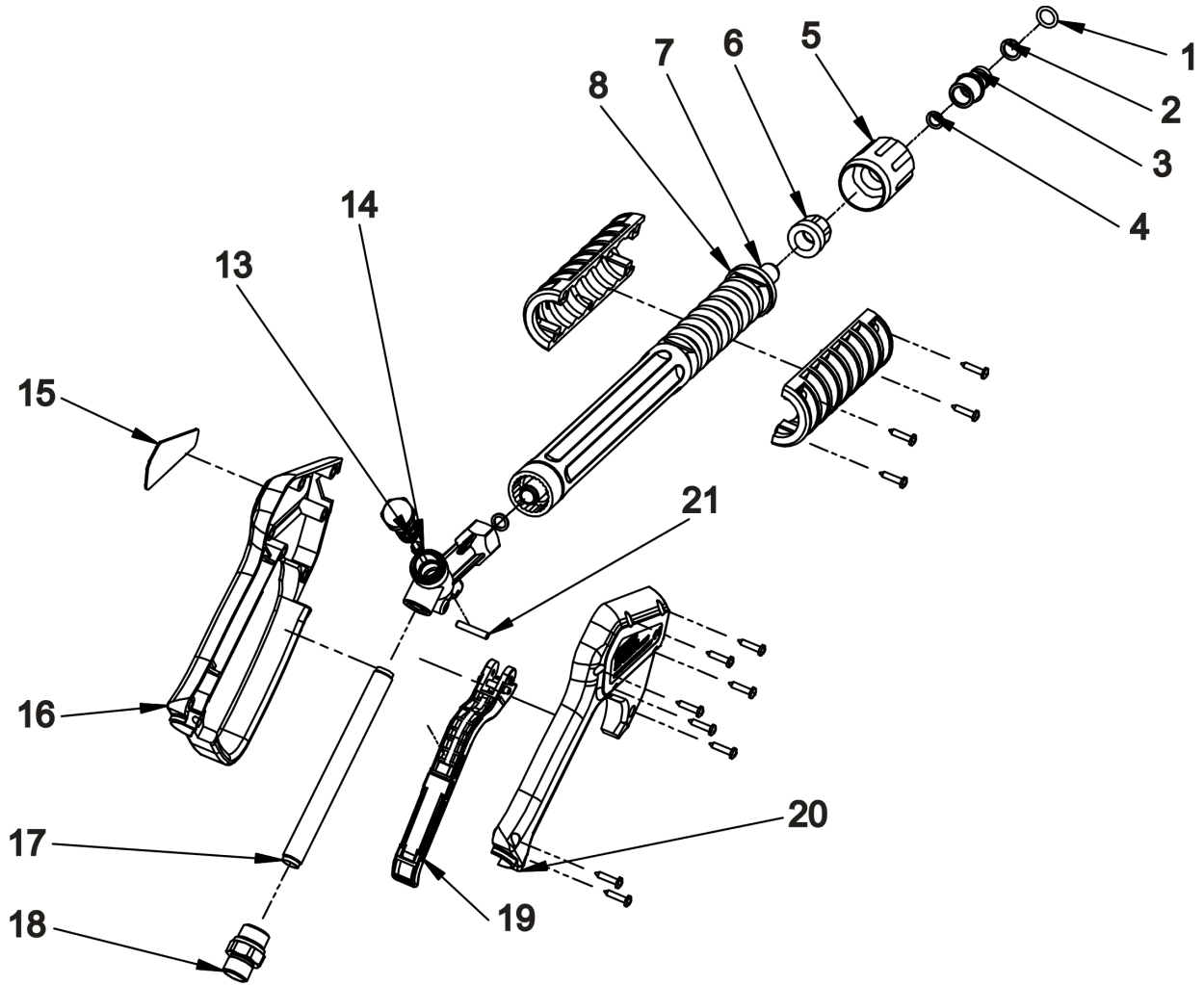
| Ref. | K | Part N.   | Customer Part N. | Description                     | Qty  | Validity: |    | Price |
|------|---|-----------|------------------|---------------------------------|------|-----------|----|-------|
|      |   |           |                  |                                 |      | From      | To |       |
| 0075 |   | MPVR45384 |                  | ENJOLIVEUR ROU.D. 305 RT-PRT    | 2,00 |           |    | --    |
| 0077 |   | GUGO01054 |                  | O-RING D. 15.08 X 2.62 NBR 70SH | 1,00 |           |    | --    |
| 0078 |   | RCDS08965 |                  | RACC. P. TUYAU OTT.             | 1,00 |           |    | --    |
| 0079 |   | RCDS09316 |                  | RONDELLE G. 3/4                 | 1,00 |           |    | --    |
| 0080 |   | ETET89890 |                  | ETICHETTE P237-EV.X5 PLC        | 1,00 |           |    | --    |



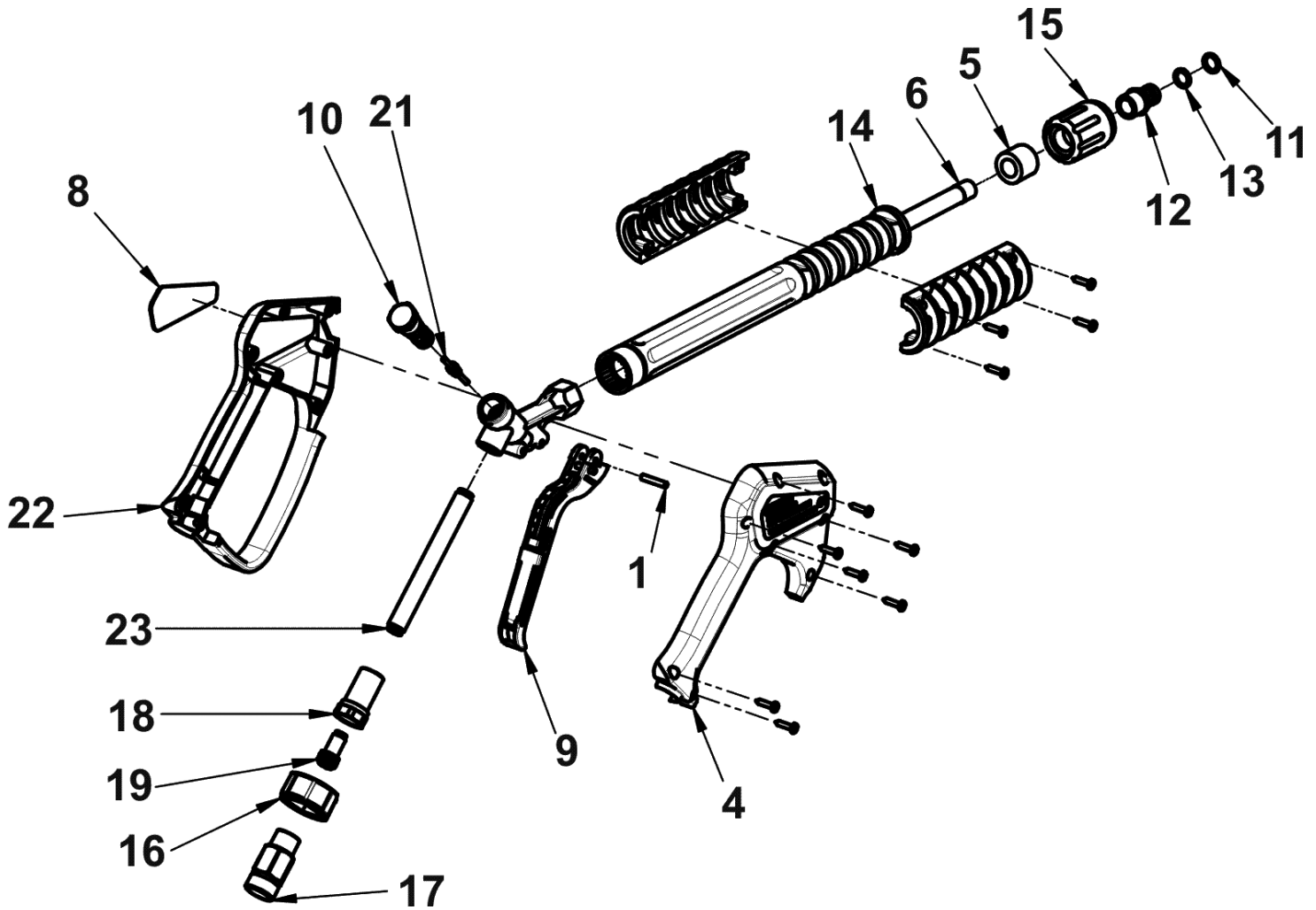
| Ref. | K | Part N.   | Customer Part N. | Description                         | Qty  | Validity: |    | Price |
|------|---|-----------|------------------|-------------------------------------|------|-----------|----|-------|
|      |   |           |                  |                                     |      | From      | To |       |
| K    |   | METT89844 |                  | TELERUPTEUR SIE 3RT 1025 1AV00 400V | 1,00 |           |    | --    |
| S    |   | MEPF40000 |                  | PRESSOSTAT BP9 -3F.                 | 1,00 |           |    | --    |
| IG   |   | MECI89816 |                  | MICROINTERRUPT.XGG2-86 Z284         | 1,00 |           |    | --    |
| TM   |   | METY89835 |                  | MINUTEUR THV/1+OPTO 380V 5/60 30S   | 1,00 |           |    | --    |
| CV1  |   | MECB89887 |                  | CABLE H07RNF 4X4 L. 6.500           | 1,00 |           |    | --    |



| Ref. K | Part N.   | Customer Part N. | Description                     | Qty  | Validity: |    | Price |
|--------|-----------|------------------|---------------------------------|------|-----------|----|-------|
|        |           |                  |                                 |      | From      | To |       |
| 0001   | RCDS59682 |                  | BOUCHON G 1/8 CN                | 1,00 |           |    | --    |
| 0002   | MLML47996 |                  | RESSORT D. 5.5                  | 1,00 |           |    | --    |
| 0003   | PVVR40014 |                  | RACC. P. TUYAU P237-MV          | 1,00 |           |    | --    |
| 0004   | UGEI40003 |                  | BUSE D. 2.3 MV OT               | 1,00 |           |    | --    |
| 0005   | PVVR47994 |                  | SIEGE BILLE MV 625              | 1,00 |           |    | --    |
| 0006   | PVVR47995 |                  | CORP DOSEUR. MV 625 GIR.        | 1,00 |           |    | --    |
| 0007   | PVVR40015 |                  | CORP DOSEUR. G1/2 P237          | 1,00 |           |    | --    |
| 0008   | GUGO01058 |                  | O-RING D. 17.17 X 1.78 NBR 70SH | 2,00 |           |    | --    |
| 0009   | VTAE06193 |                  | BAGUE D'ARRET D. 20 UNI 7435    | 1,00 |           |    | --    |
| 0010   | SFVR04274 |                  | BILLE D. 7/32                   | 1,00 |           |    | --    |

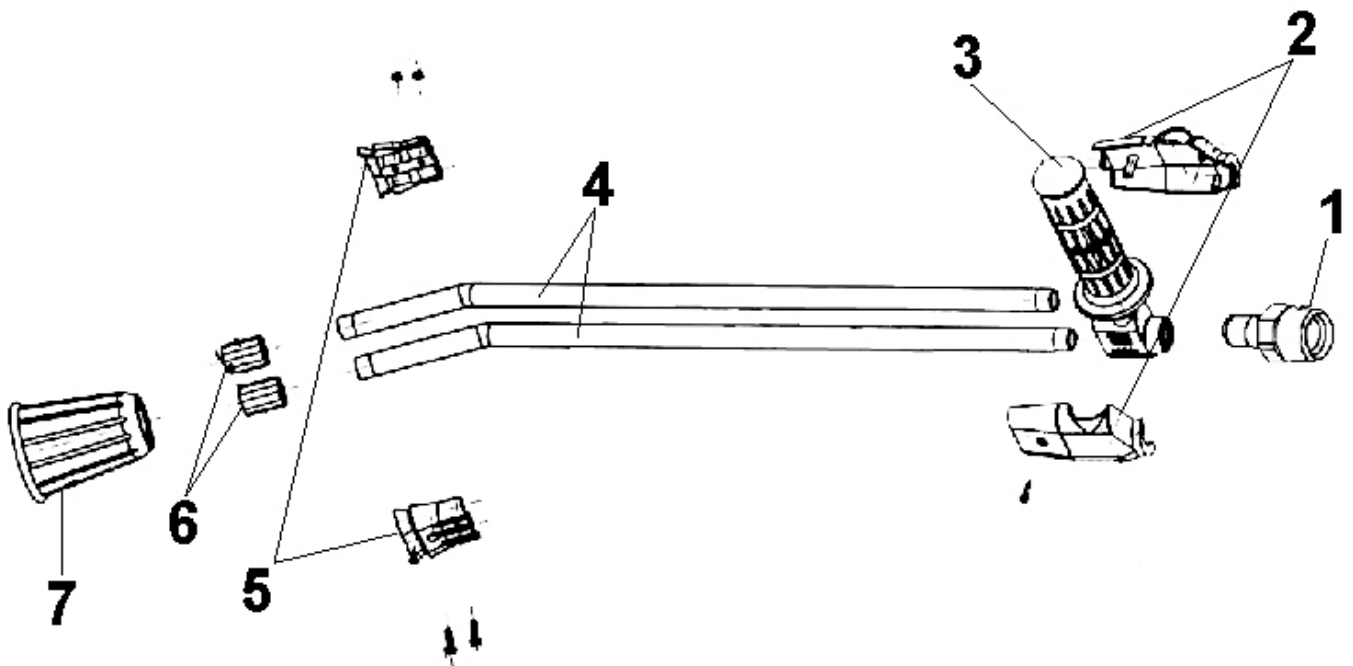


| Ref. K | Part N.   | Customer Part N. | Description                     | Qty  | Validity: |    | Price |
|--------|-----------|------------------|---------------------------------|------|-----------|----|-------|
|        |           |                  |                                 |      | From      | To |       |
| 0001   | GUGO10384 |                  | O-RING D. 10 X 2.2 VIT 80SH     | 1,00 |           |    | --    |
| 0002   | GUVR10526 |                  | BAGUE ANTIEXTR.D.13.9X10.2 C.BZ | 1,00 |           |    | --    |
| 0003   | RCVR40008 |                  | CHEVILLE-GOUJONG 1/4 F ST2300   | 1,00 |           |    | --    |
| 0004   | VTRS04931 |                  | RONDELLE COPPER D.13X19X1.5     | 1,00 |           |    | --    |
| 0005   | PVVR13445 |                  | RONDELLE M 22X1,5 L=45          | 1,00 |           |    | --    |
| 0006   | VTDD40001 |                  | ECROU G 1/4 PLS.                | 1,00 |           |    | --    |
| 0007   | LCPR40004 |                  | TUYAU 1/4 L=350 ZC.             | 1,00 |           |    | --    |
| 0008   | MPVR46570 |                  | PROTECTION P 330 ST             | 1,00 |           |    | --    |
| 0013   | PVVR40030 |                  | PETIT PISTON TM ST-2300         | 1,00 |           |    | --    |
| 0014   | PVVR40031 |                  | TIGE ST-2300                    | 1,00 |           |    | --    |
| 0015   | MPVR46569 |                  | PLAQUE G 4500 RD.               | 1,00 |           |    | --    |
| 0016   | MPVR46562 |                  | COQUILLE G 4500                 | 1,00 |           |    | --    |
| 0017   | PVVR40022 |                  | TUYAU G 1/4" M/M                | 1,00 |           |    | --    |
| 0018   | RCDS40005 |                  | NIPPLE G 3/8 G 1/4F ST2300      | 1,00 |           |    | --    |
| 0019   | MPVR40057 |                  | GACHETTE G 4500 -SW             | 1,00 |           |    | --    |
| 0020   | MPVR46563 |                  | COUVERCLE G 4500                | 1,00 |           |    | --    |
| 0021   | VTVR46568 |                  | GOUPILLE G 4500                 | 1,00 |           |    | --    |

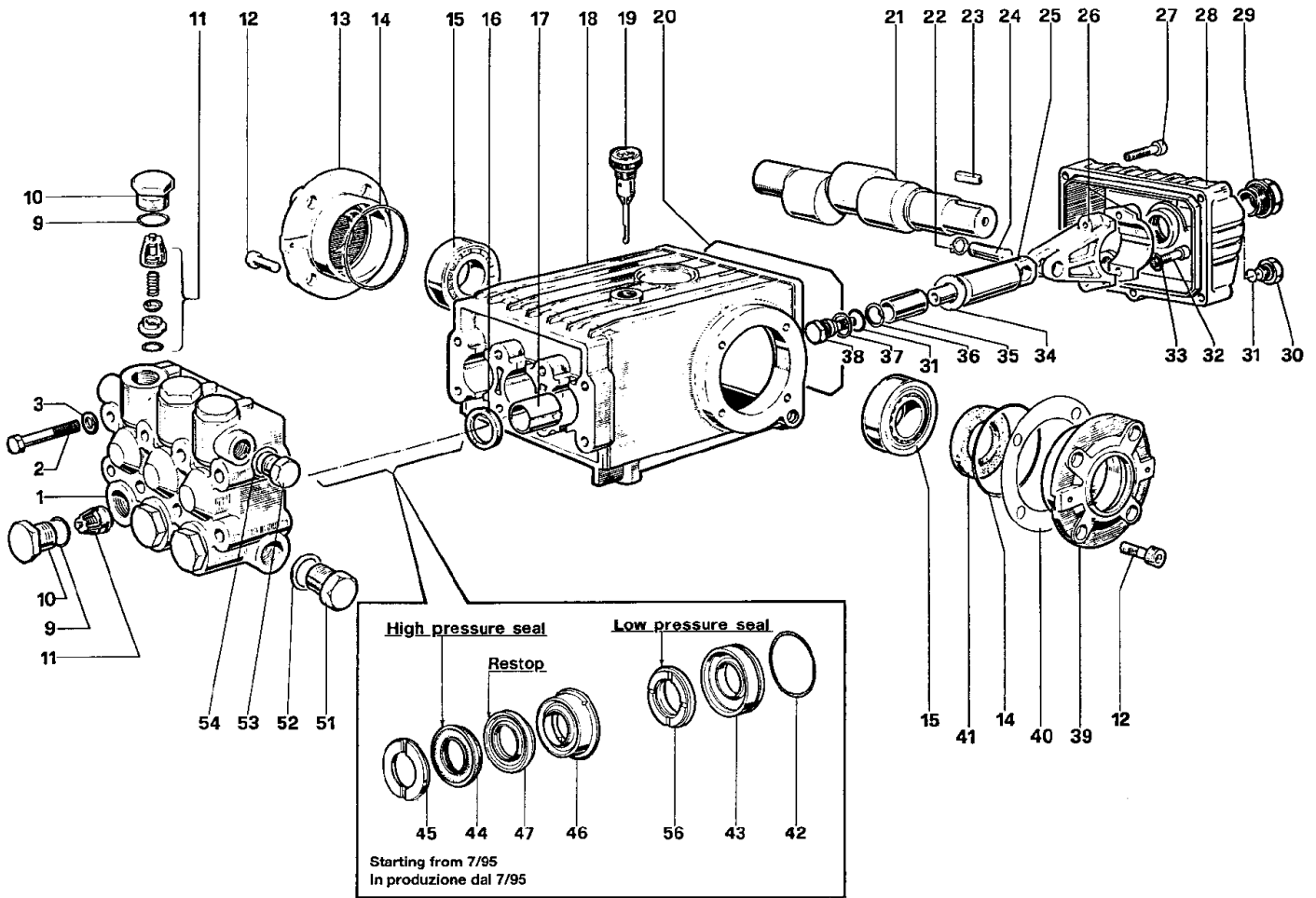


| Ref. K | Part N.   | Customer Part N. | Description                     | Qty  | Validity: |    | Price |
|--------|-----------|------------------|---------------------------------|------|-----------|----|-------|
|        |           |                  |                                 |      | From      | To |       |
| 0001   | VTVR46568 |                  | GOUPILLE G 4500                 | 1,00 |           |    | --    |
| 0004   | MPVR46563 |                  | COUVERCLE G 4500                | 1,00 |           |    | --    |
| 0005   | MPVR46572 |                  | ENTRETOISE P 330 ST             | 1,00 |           |    | --    |
| 0006   | LCPR46571 |                  | TUYAU 1/4 L=352 ZC.             | 1,00 |           |    | --    |
| 0008   | MPVR46569 |                  | PLAQUE G 4500 RD.               | 1,00 |           |    | --    |
| 0009   | MPVR40057 |                  | GACHETTE G 4500 -SW             | 1,00 |           |    | --    |
| 0010   | PVVR40030 |                  | PETIT PISTON TM ST-2300         | 1,00 |           |    | --    |
| 0011   | GUGO10384 |                  | O-RING D. 10 X 2.2 VIT 80SH     | 1,00 |           |    | --    |
| 0012   | RCVR13030 |                  | CHEVILLE-GOUJONG 1/4 F L=31.5   | 1,00 |           |    | --    |
| 0013   | GUVR10526 |                  | BAGUE ANTIEXTR.D.13.9X10.2 C.BZ | 1,00 |           |    | --    |
| 0014   | MPVR46570 |                  | PROTECTION P 330 ST             | 1,00 |           |    | --    |
| 0015   | PVVR13445 |                  | RONDELLE M 22X1,5 L=45          | 1,00 |           |    | --    |
| 0016   | MPVR40058 |                  | FRETTE G4500 SW.                | 1,00 |           |    | --    |
| 0017   | RCIN40001 |                  | BRANCHEMENT SWIV 4500 3/8"F     | 1,00 |           |    | --    |
| 0018   | RCIN31641 |                  | RACCORD SWIV 1500 F             | 1,00 |           |    | --    |
| 0019   | KTRI31645 |                  | KIT P 26- 14                    | 1,00 |           |    | --    |
| 0021   | PVVR40031 |                  | TIGE ST-2300                    | 1,00 |           |    | --    |
| 0022   | MPVR46562 |                  | COQUILLE G 4500                 | 1,00 |           |    | --    |
| 0023   | PVVR40023 |                  | TUYAU G 1/4" M/M P/SW.          | 1,00 |           |    | --    |

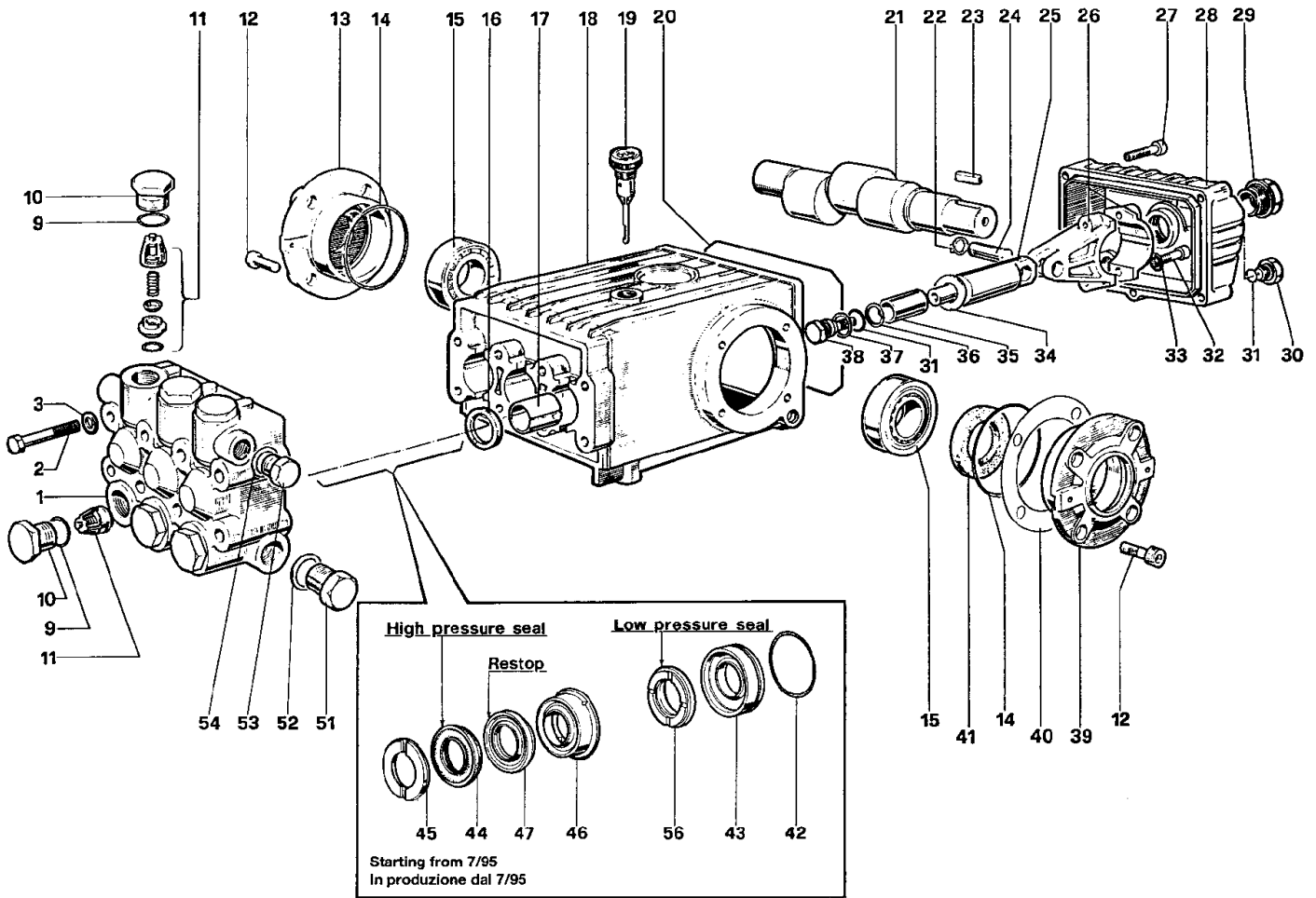




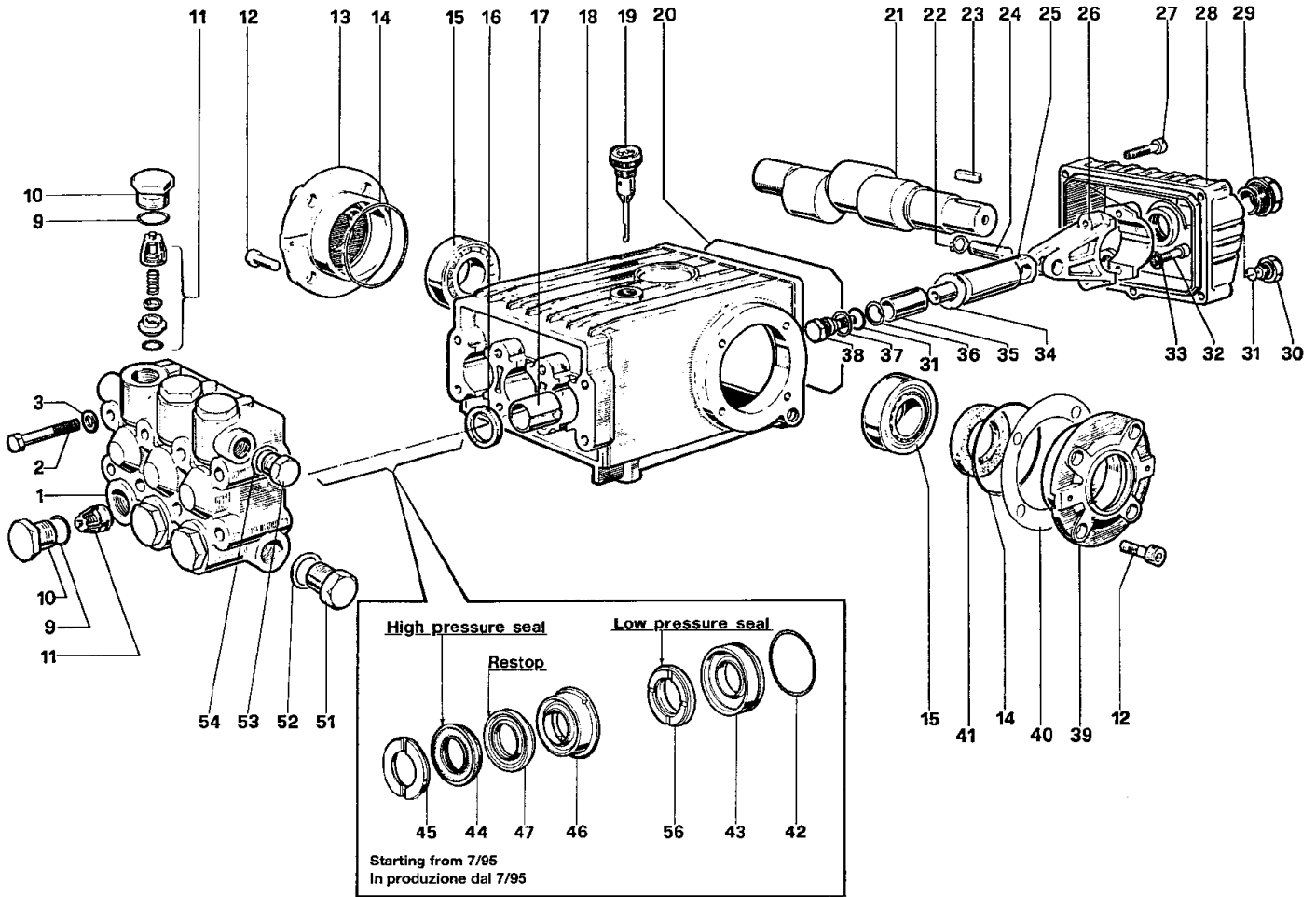
| Ref. K | Part N.   | Customer Part N. | Description              | Qty  | Validity: |    | Price |
|--------|-----------|------------------|--------------------------|------|-----------|----|-------|
|        |           |                  |                          |      | From      | To |       |
| 0001   | PVVR45296 |                  | RACCORD G 1/4M -M22 M    | 1,00 |           |    | --    |
| 0002   | MPVR45214 |                  | PROTECTION TB.1/4 MTM    | 1,00 |           |    | --    |
| 0003   | RCGR45737 |                  | ROBINET 1/4 F LD MTM     | 1,00 |           |    | --    |
| 0004   | LCPR45740 |                  | TUYAU 1/8 L=660 INOX MTM | 2,00 |           |    | --    |
| 0005   | MPVR45001 |                  | COQUILLE LD MTM          | 1,00 |           |    | --    |
| 0006   | RCVR45741 |                  | PORTE BUSE 1/4-1/8 F MTM | 2,00 |           |    | --    |
| 0007   | PVVR43810 |                  | PROTECTION L.D. MTM      | 1,00 |           |    | --    |



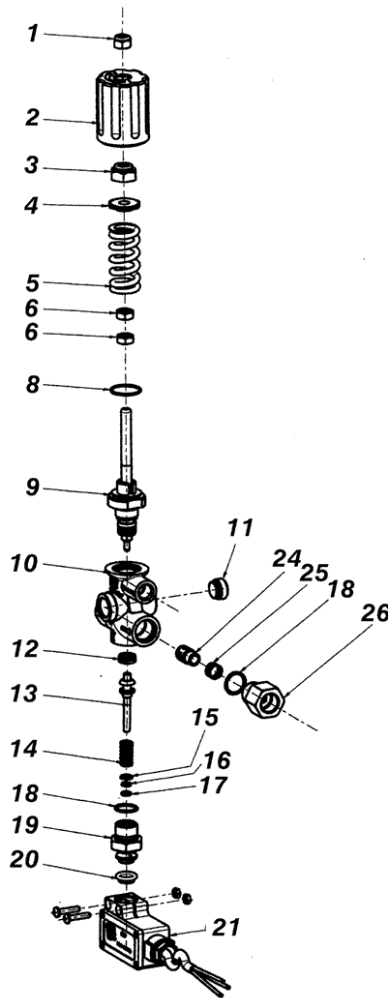
| Ref. | K | Part N.   | Customer Part N. | Description                        | Qty  | Validity: |    | Price |
|------|---|-----------|------------------|------------------------------------|------|-----------|----|-------|
|      |   |           |                  |                                    |      | From      | To |       |
| 0001 |   | MFVR01097 |                  | CULASSE W 151                      | 1,00 |           |    | --    |
| 0002 |   | VTVT01111 |                  | VIS TE M 8X70 UNI 5737             | 8,00 |           |    | --    |
| 0003 |   | VTRS01072 |                  | RONDELLE D. 8 TC                   | 8,00 |           |    | --    |
| 0009 | S | GUGO01033 |                  | O-RING D. 20.24 X 2.62 NBR 90SH    | 6,00 |           |    | --    |
| 0010 | S | RCDS01087 |                  | BOUCHON M24X2X16 OTT               | 6,00 |           |    | --    |
| 0011 | S | VVAM01104 |                  | ENSEMBL. CLAPETW 70-151            | 6,00 |           |    | --    |
| 0012 |   | VTVT01118 |                  | VIS TCEI M 8X16 ZC. UNI 5931       | 8,00 |           |    | --    |
| 0013 |   | MFVR03576 |                  | COUVERCLE CART.W151                | 1,00 |           |    | --    |
| 0014 |   | GUGO01041 |                  | O-RING D. 67.95 X 2.62 NBR 70SH    | 2,00 |           |    | --    |
| 0015 |   | CUVR09205 |                  | ROULEM.A ROUL. 32206 A             | 2,00 |           |    | --    |
| 0016 | S | GUGO01000 |                  | JOINT SPI 22X 32X 5.5 NBR70        | 3,00 |           |    | --    |
| 0017 |   | PVVR01011 |                  | DOUILLE W 151                      | 3,00 |           |    | --    |
| 0018 |   | MFVR01013 |                  | CARTER POMPE W 151                 | 1,00 |           |    | --    |
| 0019 |   | PVVR01092 |                  | JAUGE D'HUILE W 151                | 1,00 |           |    | --    |
| 0020 |   | GUGO34590 |                  | O-RING D. 133.02 X 2.62 NBR 70SH   | 1,00 |           |    | --    |
| 0021 |   | ALMO41529 |                  | ARBRE TS 1521 USA                  | 1,00 |           |    | --    |
| 0022 |   | VTAE14016 |                  | BAGUE D'ARRET D. 12 UNI 7435       | 6,00 |           |    | --    |
| 0023 |   | VTVR41531 |                  | CLAVETTE 8X 7X35 UNI 6604A         | 1,00 |           |    | --    |
| 0024 |   | PVVR01085 |                  | CHEVILLE-GOUJOND.13X35 W151        | 3,00 |           |    | --    |
| 0025 |   | PVVR01029 |                  | TIGE DE PISTON W 151               | 3,00 |           |    | --    |
| 0026 |   | BLVR01009 |                  | BIELLE W 151                       | 3,00 |           |    | --    |
| 0027 |   | VTVT01116 |                  | VIS TCEI 6X30 UNI5931              | 5,00 |           |    | --    |
| 0028 |   | MFVR03582 |                  | COUVERCLE CART.W 151 POS           | 1,00 |           |    | --    |
| 0029 |   | PVVR01083 |                  | VOYANT HUILE G 3/4 W70-151         | 1,00 |           |    | --    |
| 0030 |   | RCDS01088 |                  | BOUCHON 1/4X 9 M WW90              | 1,00 |           |    | --    |
| 0031 | S | GUGO01036 |                  | O-RING D. 10.82 X 1.78 NBR 70SH    | 4,00 |           |    | --    |
| 0032 |   | VTVT01120 |                  | VIS TCEI 8X35 UNI5931              | 6,00 |           |    | --    |
| 0033 |   | VTRS14242 |                  | RONDELLE D. 8.4X13X0.8 UNI7064 SCH | 6,00 |           |    | --    |
| 0034 | S | VTRS01753 |                  | RONDELLE D.14X28 X0,5              | 3,00 |           |    | --    |
| 0035 |   | PIVR01066 |                  | PISTON D.20X50 W 151               | 3,00 |           |    | --    |
| 0036 | S | GUVR00994 |                  | BAGUE ANTIEXTR.W151                | 3,00 |           |    | --    |
| 0037 | S | VTRS01076 |                  | RONDELLE D.14X18,5X0,5             | 3,00 |           |    | --    |
| 0038 | S | PVVR01107 |                  | VIS PISTON IP W151                 | 3,00 |           |    | --    |
| 0039 |   | MFVR03583 |                  | COUVERCLE CART.W151                | 1,00 |           |    | --    |
| 0040 |   | PVVR01016 |                  | EPAISSEUR 0,1 W 151                | 2,00 |           |    | --    |
| 0041 | S | GUGO01003 |                  | JOINT SPI 30X 55X 7 NBR70          | 1,00 |           |    | --    |
| 0042 | S | GUGO01042 |                  | O-RING D. 34.6 X 1.78 NBR 70SH     | 3,00 |           |    | --    |
| 0043 | S | PVVR00977 |                  | BAGUE P.GARNIT.W151                | 3,00 |           |    | --    |
| 0044 | S | GUVR00981 |                  | BAGUE D'ETANCH.W151                | 3,00 |           |    | --    |



| Ref. | K | Part N.   | Customer Part N. | Description                 | Qty  | Validity: |    | Price |
|------|---|-----------|------------------|-----------------------------|------|-----------|----|-------|
|      |   |           |                  |                             |      | From      | To |       |
| 0045 | S | PVVR00985 |                  | BAGUE DE TETE W151          | 3,00 |           |    | --    |
| 0046 | S | PVVR34589 |                  | BAGUE INTERMED.W 151 D. 20  | 3,00 |           |    | --    |
| 0047 | S | GUVR34587 |                  | BAGUE D'ETANCH.D. 20 RESTOP | 3,00 |           |    | --    |
| 0051 |   | RCDS01091 |                  | BOUCHON 1/2X10 M            | 1,00 |           |    | --    |
| 0052 |   | VTRS01075 |                  | RONDELLE D.21,5X27 ALL      | 1,00 |           |    | --    |
| 0053 |   | RCDS01090 |                  | BOUCHON 3/8X13 M WW90       | 1,00 |           |    | --    |
| 0054 |   | VTRS01074 |                  | RONDELLE D.17,05X22,3 X1,5  | 1,00 |           |    | --    |
| 0056 | S | GUVR34585 |                  | BAGUE D'ETANCH.W 151 L.P.   | 3,00 |           |    | --    |



| Ref. Part N. | Cust. Part N. | Description | Reference                          | Price |
|--------------|---------------|-------------|------------------------------------|-------|
| KTRI14900    | KIT P         | 15- 3       | 0041                               | --    |
| KTRI14901    | KIT P         | 10          | 0042 0043                          | --    |
| KTRI17793    | KIT P         | 6           | 0031 0034 0036 0037 0038           | --    |
| KTRI17795    | KIT P         | 4           | 0009 0010                          | --    |
| KTRI17859    | KIT P         | 1           | 0011                               | --    |
| KTRI17860    | KIT P         | 2           | 0016                               | --    |
| KTRI18574    | KIT P         | 7           | 0045                               | --    |
| KTRI18579    | KIT P         | 28          | 0042 0043 0044 0045 0046 0047 0056 | --    |



| Ref. K | Part N.   | Customer Part N. | Description                     | Qty  | Validity: From To | Price |
|--------|-----------|------------------|---------------------------------|------|-------------------|-------|
| 0001   | VTDD89669 |                  | ECROU M 8 X1 AUT. INX A2        | 1,00 |                   | --    |
| 0002   | MPVR40002 |                  | POIGNEE BP9 BK.                 | 1,00 |                   | --    |
| 0003   | VTDD88134 |                  | ECROU M 8 BY-PASS BP91          | 1,00 |                   | --    |
| 0004   | PVVR88140 |                  | COUPELLE RESS. BP91             | 1,00 |                   | --    |
| 0005   | MLML40001 |                  | RESSORT D.15.6 X27 L=51.5 250B. | 1,00 |                   | --    |
| 0006   | VTDD40000 |                  | ECROU M 8 X1 UNI5588 INX A2     | 1,00 |                   | --    |
| 0008   | GUGO11652 |                  | O-RING D. 12.42 X 1.78 NBR 70SH | 1,00 |                   | --    |
| 0009   | PVVR40016 |                  | TIGE SOUPAPE BP9 CP.            | 1,00 |                   | --    |
| 0010   | PVVR88137 |                  | CORPS VALVE BP91 RIT.3/8"F      | 1,00 |                   | --    |
| 0011   | PVVR88139 |                  | BOUCHON 3/8 M BP91              | 1,00 |                   | --    |
| 0012   | PVVR88135 |                  | PLAQUETTE BY-PASS BP91          | 1,00 |                   | --    |
| 0013   | PVVR40017 |                  | PISTON COMMANDEBP9+SW.          | 1,00 |                   | --    |
| 0014   | MLML40002 |                  | RESSORT D. 7.3 X10.1 L=24.3 INX | 1,00 |                   | --    |
| 0015   | VTRS00513 |                  | RONDELLE D. 8 X32 P.            | 1,00 |                   | --    |
| 0016   | GUGO08071 |                  | O-RING D. 4.48 X 1.78 NBR 70SH  | 1,00 |                   | --    |
| 0017   | GUVR40004 |                  | BAGUE ANTIEXTR.D. 5.1X 7.9X1.5  | 1,00 |                   | --    |
| 0018   | GUGO03505 |                  | O-RING D. 15.6 X 1.78 NBR 70SH  | 2,00 |                   | --    |
| 0019   | PVVR40018 |                  | GUIDE SOUPAPE BP9               | 1,00 |                   | --    |
| 0020   | GUGO40001 |                  | JOINT BP9                       | 1,00 |                   | --    |
| 0021   | MEPF40000 |                  | PRESSOSTAT BP9 -3F.             | 1,00 |                   | --    |
| 0022   | VTDD00147 |                  | ECROU M 4 INX U.5588            | 2,00 |                   | --    |
| 0023   | VTVT27366 |                  | VIS M 4X20 TCB T-CROCE INOX     | 2,00 |                   | --    |
| 0024   | PVVR49636 |                  | PETIT PISTON BP91 C/OR          | 1,00 |                   | --    |
| 0025   | MLML40004 |                  | RESSORT BP 9                    | 1,00 |                   | --    |
| 0026   | PVVR49638 |                  | RACCORD BP91 3/8F               | 1,00 |                   | --    |