



**IPC Integrated Professional Cleaning**

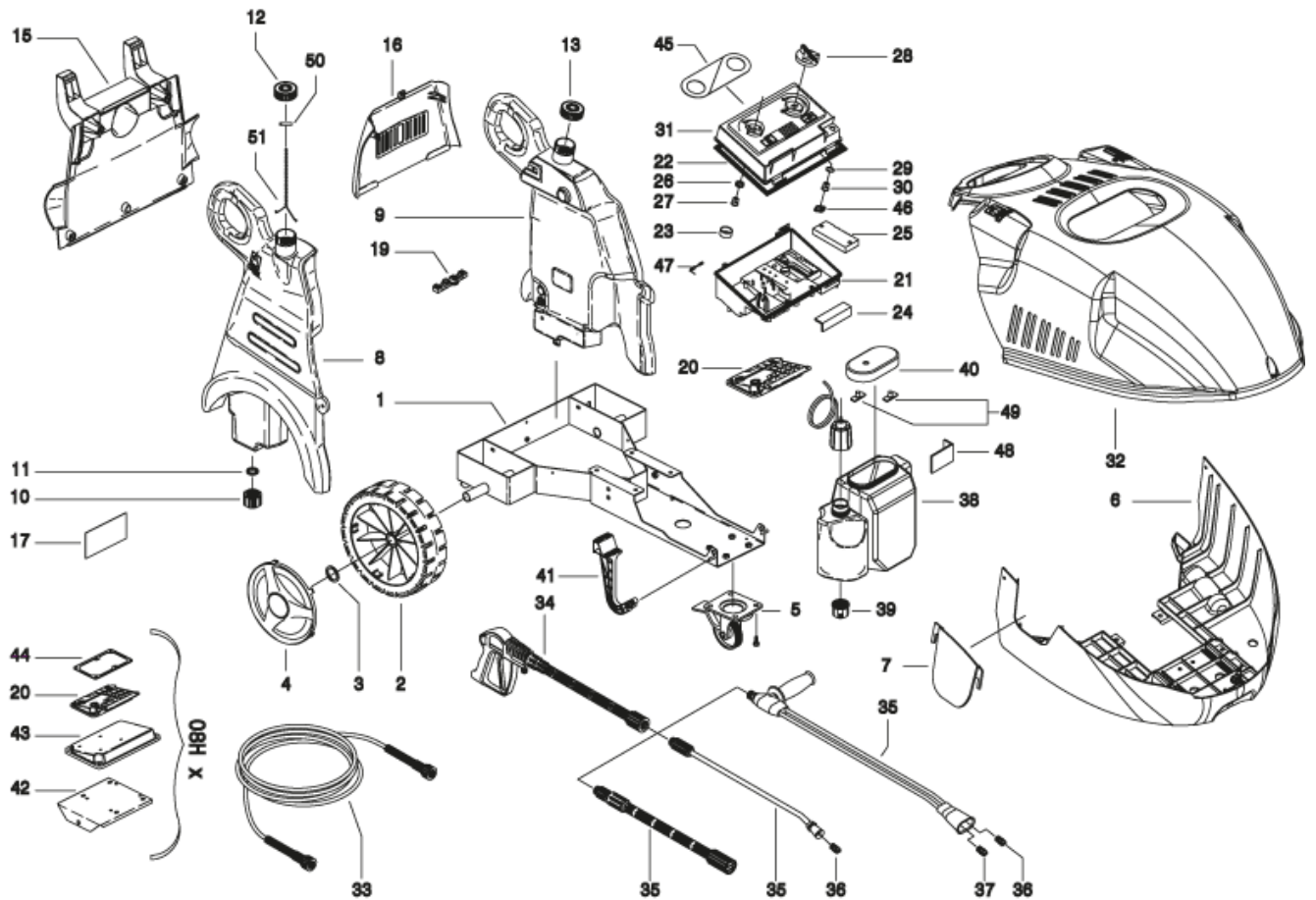
**IPC** Portotecnica

## Spare Parts List

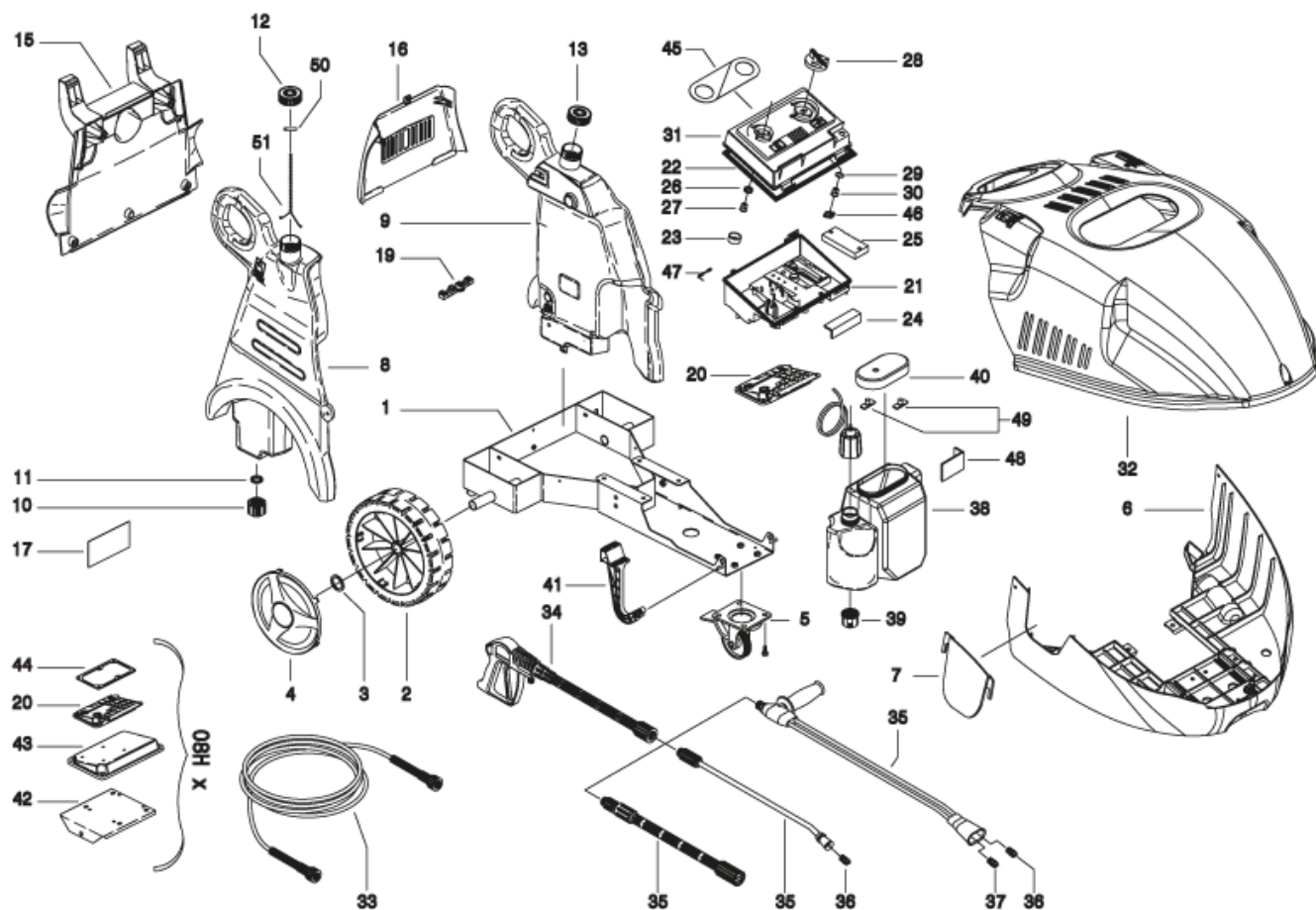
ICA

Ref: IDAC40318 - .

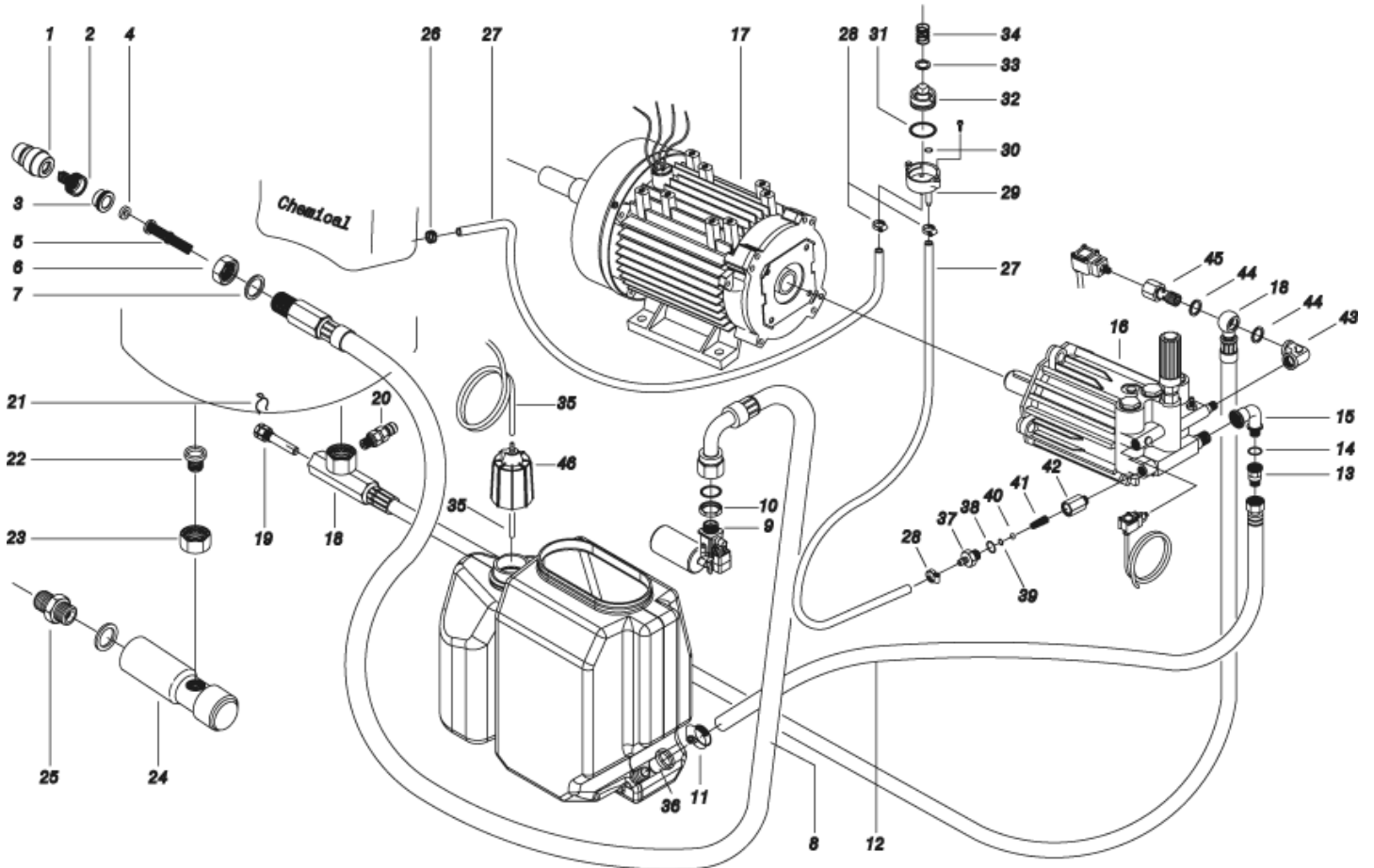
Model: CHALLENGE2 160TA**b**



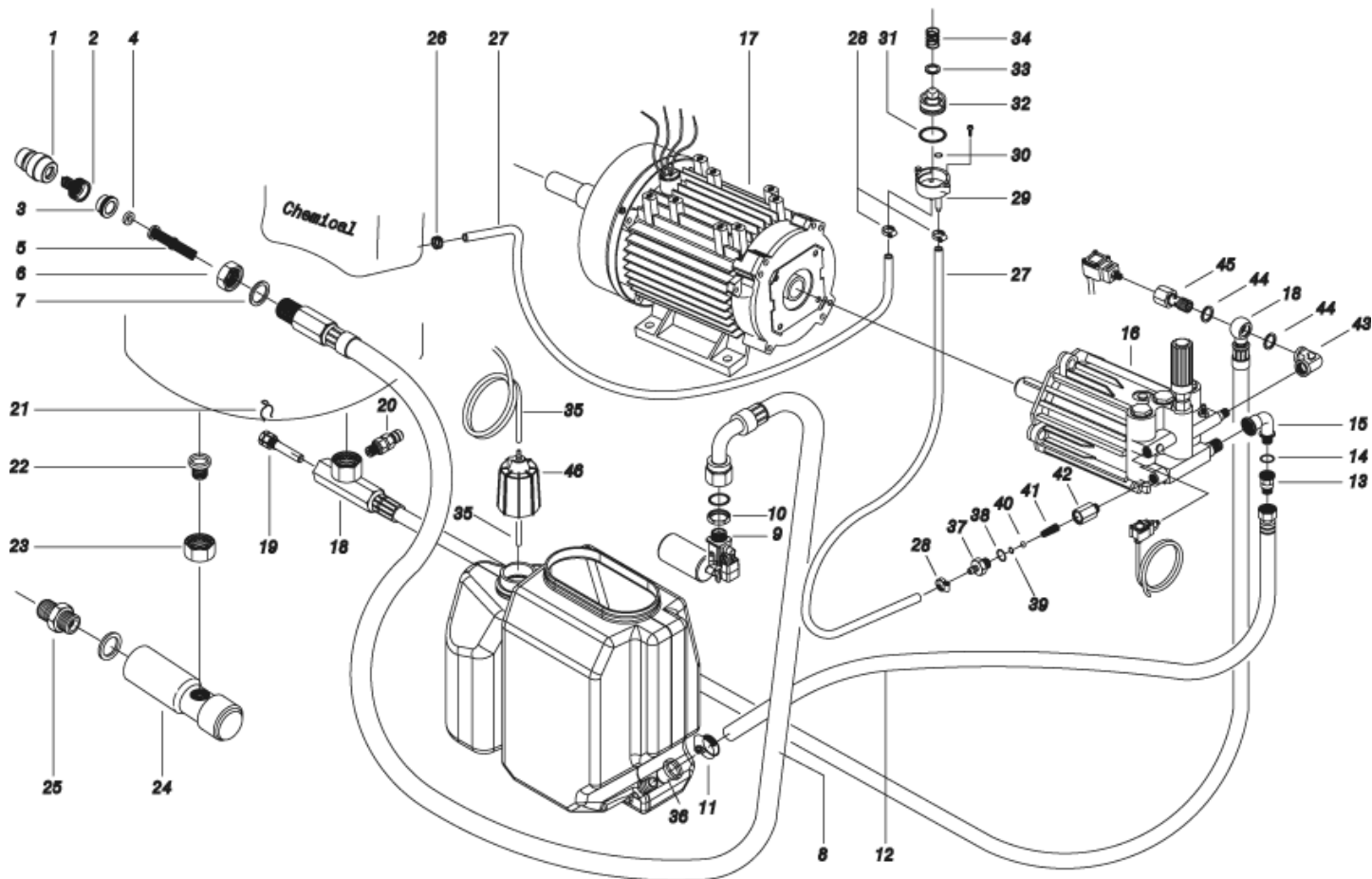
| Ref. | K         | Part N. | Customer Part N. | Description                             | Qty  | Validity: |         | Price |
|------|-----------|---------|------------------|---|------|-----------|---------|-------|
|      |           |         |                  |   |      | From      | To      |       |
| 0001 | LAFN48940 |         |                  | CHARIOT P190 2V. BK.                    | 1,00 |           | 07/2010 | --    |
| 0001 | LAFN40288 |         |                  | CHARIOT P190 3V. BK.                    | 1,00 | 07/2010   |         | --    |
| 0002 | RTRT45383 |         |                  | ROUE D.305-D.25 RT-IPC                  | 2,00 |           |         | --    |
| 0003 | VTRS09813 |         |                  | RONDELLE D.25                           | 2,00 |           |         | --    |
| 0004 | MPVR40292 |         |                  | ENJOLIVEUR D. 305 RT-PRT GR.368C        | 2,00 |           |         | --    |
| 0005 | RTRT47975 |         |                  | ROUE PIVOTTANTE.100 P MZ.PLS.           | 1,00 |           |         | --    |
| 0006 | MPVR48384 |         |                  | COUVERTURE P190 PPL.BK                  | 1,00 |           |         | --    |
| 0007 | MPVR48383 |         |                  | GUICHET P190 PPL.BK                     | 1,00 |           |         | --    |
| 0008 | MPVR49452 |         |                  | RESERVOIR P190-215 PEHD                 | 1,00 |           |         | --    |
| 0009 | MPVR40117 |         |                  | RESERVOIR FUEL P190-215 2V. PEHD        | 1,00 |           |         | --    |
| 0010 | PVVR11806 |         |                  | BOUCHON ECHAPP.FLL                      | 2,00 |           |         | --    |
| 0011 | GUGO11489 |         |                  | JOINT D.22X1,5                          | 2,00 |           |         | --    |
| 0012 | MPVR40401 |         |                  | BOUCHON RESERV.P176 PEHD BL. C/F.       | 1,00 | 04/2012   |         | --    |
| 0012 | MPVR45426 |         |                  | BOUCHON RESERV.P176 PEHD                | 1,00 |           |         | --    |
| 0012 | MPVR40005 |         |                  | BOUCHON RESERV.P176 PEHD BL.            | 1,00 |           | 04/2012 | --    |
| 0015 | MPVR48116 |         |                  | PANNEAU POST. P190 PPL BK.              | 1,00 |           |         | --    |
| 0015 | MPVR40285 |         |                  | PANNEAU POST. P190 PPL GR.368C          | 1,00 |           |         | --    |
| 0019 | MEVR33994 |         |                  | COLLIER DE SER.4228 B D. 6- 18          | 1,00 |           |         | --    |
| 0020 | MPVR47818 |         |                  | PLAQUE P190 PA6 BK.                     | 1,00 |           |         | --    |
| 0021 | LAFN20138 |         |                  | BOITE CONTROLE KSM ABS BK.              | 1,00 | 07/2012   |         | --    |
| 0022 | GUGO27129 |         |                  | GARNITURE 10X3                          | 1,05 | 07/2012   |         | --    |
| 0024 | LAFN30211 |         |                  | SUPPORT SLR                             | 1,00 | 07/2012   |         | --    |
| 0025 | MPVR20143 |         |                  | COUVERCLE CABLEKSM                      | 1,00 | 07/2012   |         | --    |
| 0026 | GUGO01035 |         |                  | O-RING D. 13.95 X 2.62 NBR 70SH         | 1,00 | 07/2012   |         | --    |
| 0027 | MPVR23482 |         |                  | TALON TEC. TUV                          | 1,00 | 07/2012   |         | --    |
| 0028 | MPVR49057 |         |                  | POIGNEE NOIRE P176-M.RACE PA6           | 3,00 |           |         | --    |
| 0029 | GUGO23079 |         |                  | BAGUE V-SEAL VA0014 13.5- 15.5          | 1,00 | 07/2012   |         | --    |
| 0030 | MPVR23484 |         |                  | TALON THERM.KSM TUV                     | 1,00 | 07/2012   |         | --    |
| 0031 | MPVR88820 |         |                  | COUVERCLE BOITEP190 C/F.THS BK.         | 1,00 | 07/2012   |         | --    |
| 0032 | MPVR40284 |         |                  | COUVERTURE VERTP190-215 SUP. PP GR.368C | 1,00 |           |         | --    |
| 0033 | TBAP40012 |         |                  | TUYAU H.P. R1 MT 10 1/4" C/2 IRV IX     | 1,00 |           |         | --    |
| 0034 | IPPR40002 |         |                  | POIGNEE G 5000+P.330 +M22 SW.M V        | 1,00 | 06/2011   | 12/2011 | --    |
| 0034 | IPPR40010 |         |                  | POIGNEE G 5100+P.330 +M22 SW.M V        | 1,00 | 12/2011   |         | --    |
| 0034 | IPPR89429 |         |                  | POIGNEE G 4500 - P.330 -M22SW.M V       | 1,00 |           | 06/2011 | --    |
| 0035 | LCPR12976 |         |                  | RALLONGE P 70                           | 1,00 | 03/2007   |         | --    |
| 0037 | UGLN49987 |         |                  | BUSE LECH 1/4 15045                     | 1,00 |           |         | --    |
| 0038 | MPVR89076 |         |                  | RESERVOIR EAU P190-2V. PEHD BK.         | 1,00 |           |         | --    |
| 0039 | MPVR20187 |         |                  | FRETTE M 39 X 3                         | 1,00 |           |         | --    |
| 0040 | MPVR89077 |         |                  | COUVERC.RES. P190 PA6 BL.               | 1,00 |           | 04/2015 | --    |



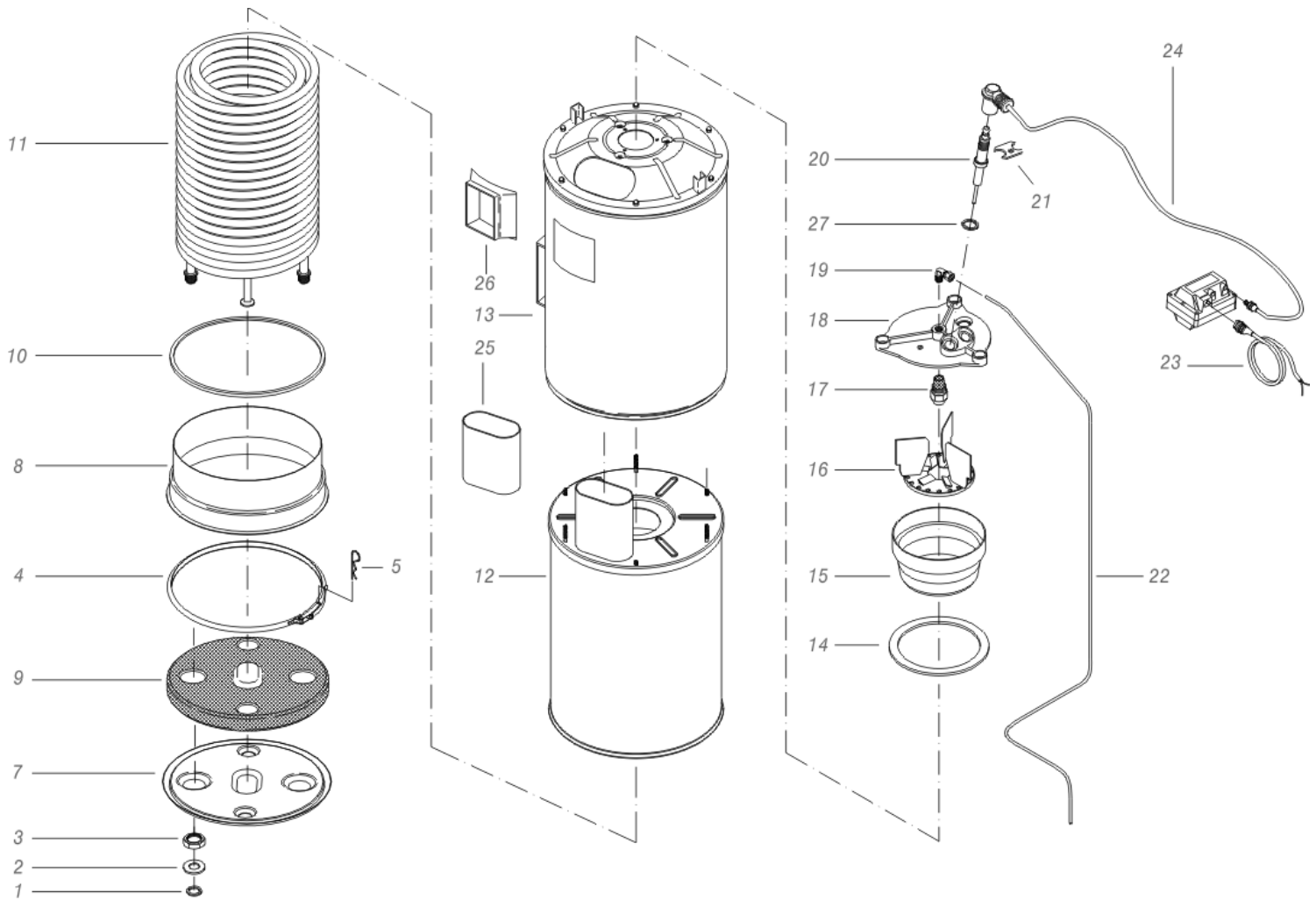
| Ref. | K | Part N.   | Customer Part N. | Description                        | Qty  | Validity: |         | Price |
|------|---|-----------|------------------|------------------------------------|------|-----------|---------|-------|
|      |   |           |                  |                                    |      | From      | To      |       |
| 0040 |   | MPVR40516 |                  | COUVERC.RES. P190-35 PA6 BL.       | 1,00 | 05/2015   |         | --    |
| 0041 |   | MPVR47819 |                  | BRIDE P190 PA6 BK.                 | 2,00 |           |         | --    |
| 0045 |   | ETET40403 |                  | ETICHETTE P190-PW GRN PLC          | 1,00 |           |         | --    |
| 0046 |   | MPVR41903 |                  | EPAISSEUR TERM.IM.PA66             | 1,00 | 07/2012   |         | --    |
| 0048 |   | LAFN89079 |                  | PANNEAU P190 INX                   | 1,00 |           |         | --    |
| 0049 |   | MPVR89078 |                  | PLAQUETTE P190 PA6 BL.             | 2,00 |           |         | --    |
| 0050 |   | LAFN40498 |                  | PIVOT D. 6 X 12-15 IX              | 1,00 | 04/2012   |         | --    |
| 0051 |   | VTVR40026 |                  | CHAINETTE 13MG. INX L=220 G.V-MSC. | 1,00 | 04/2012   |         | --    |
| 0051 |   | CMCV40001 |                  | CORDE D. 1.6 L= 200 M4 M INX       | 1,00 |           | 04/2012 | --    |
| 0053 |   | MEVR27264 |                  | PORTE-FUSIBLES 031-1081            | 1,00 | 07/2012   |         | --    |



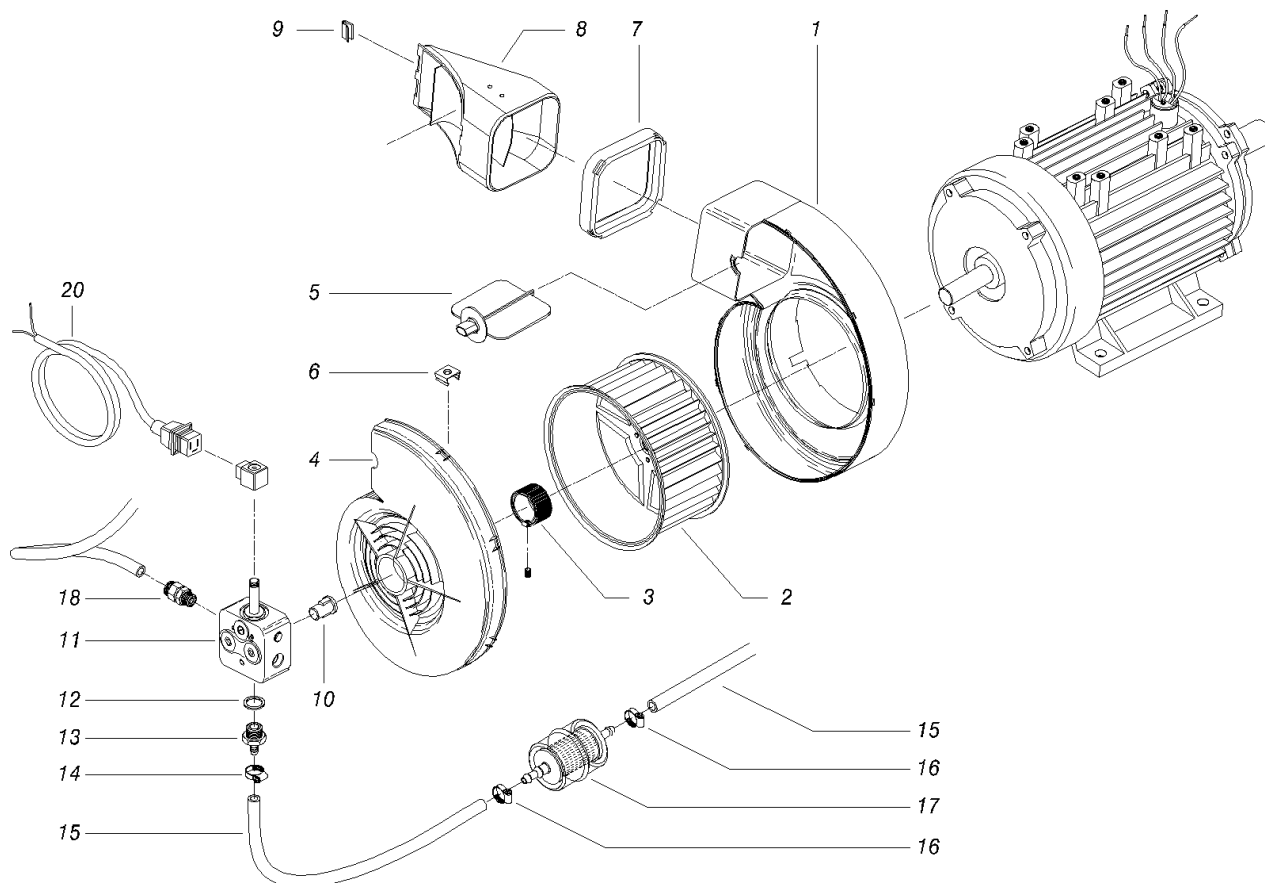
| Ref. | K | Part N.   | Customer Part N. | Description                              | Qty  | Validity: |         | Price |
|------|---|-----------|------------------|--|------|-----------|---------|-------|
|      |   |           |                  |  |      | From      | To      |       |
| 0001 |   | RCVR29602 |                  | RACCORD D. 1/2"-5/8" PTC                 | 1,00 |           |         | --    |
| 0002 |   | RCVR29600 |                  | PRISE PTC 3/4 F                          | 1,00 |           |         | --    |
| 0003 |   | RCVR37806 |                  | REDUCTION PTC 3/4-1/2 M/F                | 1,00 |           |         | --    |
| 0004 |   | GUGO37736 |                  | JOINT D. 10- 19 X 5 70SH                 | 1,00 |           |         | --    |
| 0005 |   | FTAC30214 |                  | FILTRE D.15X67                           | 1,00 |           |         | --    |
| 0006 |   | RCDS49875 |                  | FRETTE 1/2"X 6 CH.27 OT.                 | 1,00 |           |         | --    |
| 0007 |   | VTRS00549 |                  | RONDELLE D.21,5X27X1.5 (1/2) RM          | 1,00 |           |         | --    |
| 0008 |   | TBBP48636 |                  | TUYAU B.P. L= 950 3/4F 90°- 1/2M 0°      | 1,00 |           |         | --    |
| 0009 |   | RCGR40005 |                  | FLOTTEUR MTM 3/4 PP. S/F. +ADP.176       | 1,00 | 05/2010   |         | --    |
| 0010 |   | RCVR49974 |                  | FRETTE 3/4" X 4 NIK                      | 1,00 |           |         | --    |
| 0011 |   | FSVR00431 |                  | COLLIER D. 16-25                         | 1,00 |           |         | --    |
| 0012 |   | TBBP87602 |                  | TUYAU B.P. L=350 3/4F 90°-LB.            | 1,00 |           |         | --    |
| 0013 |   | RCVR40022 |                  | REDUCTION 3/4-1/2 M/F PPL GEO.L          | 1,00 |           |         | --    |
| 0014 |   | GUGO19395 |                  | O-RING D. 20.24 X 2.62 NBR 70SH          | 1,00 |           |         | --    |
| 0015 |   | RCVR40021 |                  | COUDE 1/2" M/F PPL GEO.L                 | 1,00 |           |         | --    |
| 0016 |   | PPAP40036 |                  | POMPE SJS 12.17 AX N OT.I.4.ONP          | 1,00 |           |         | --    |
| 0017 |   | MOTR40009 |                  | MOTEUR 3PH P190 HP 5,5 400-50 2PH9/X     | 1,00 |           | 02/2011 | --    |
| 0017 |   | MOTR40025 |                  | MOTEUR 3PH P190 HP 5,5 400-50 2PH9/E     | 1,00 | 03/2011   |         | --    |
| 0018 |   | TBAP40037 |                  | TUYAU D.JONCT. 3/ 8 R1 L=480 3/8OC.-PM26 | 1,00 |           |         | --    |
| 0019 |   | RCDS00593 |                  | RECUPERATION IM 0-120 L=50               | 1,00 |           |         | --    |
| 0020 |   | VVSC47427 |                  | SOUPAPE MG 1000 G1/4M-M D.8 250B         | 1,00 |           |         | --    |
| 0021 |   | MLML02623 |                  | RESSORT IMT                              | 1,00 |           |         | --    |
| 0022 |   | RCDS21118 |                  | RACCORD KSM                              | 1,00 |           |         | --    |
| 0023 |   | RCDS21119 |                  | ECROU KSM                                | 1,00 |           |         | --    |
| 0024 |   | RCDS48935 |                  | BLOCAGE 3VIE 3/8-1/4 M14X1 F ZC          | 1,00 |           |         | --    |
| 0025 |   | RCDS13012 |                  | NIPPLE M22-3/8 D. 7.5                    | 1,00 |           |         | --    |
| 0026 |   | FSVR72803 |                  | COLLIER D 9.3 - 9.9                      | 2,00 |           |         | --    |
| 0027 |   | TBBP93804 |                  | TUYAU B.P. D. 6- 9                       | 0,85 | 05/2012   |         | --    |
| 0027 |   | TBBP93804 |                  | TUYAU B.P. D. 6- 9                       | 0,50 | 05/2012   |         | --    |
| 0027 |   | TBBP04917 |                  | TUYAU B.P. D. 6- 9                       | 0,50 |           | 04/2012 | --    |
| 0027 |   | TBBP04917 |                  | TUYAU B.P. D. 6- 9                       | 0,85 |           | 04/2012 | --    |
| 0028 |   | FSVR11957 |                  | COLLIER D. 9.5-12 CLIC                   | 2,00 |           |         | --    |
| 0029 |   | RCGR08069 |                  | CORPS ROBINET DET. PRT                   | 1,00 |           |         | --    |
| 0030 |   | GUGO08071 |                  | O-RING D. 4.48 X 1.78 NBR 70SH           | 1,00 |           |         | --    |
| 0031 |   | GUGO12183 |                  | O-RING D. 23.4 X 3.53 VIT 70SH           | 1,00 |           |         | --    |
| 0032 |   | RCGR08070 |                  | REGULATEUR PRT                           | 1,00 |           |         | --    |
| 0033 |   | VTRS00542 |                  | RONDELLE D.14X20                         | 1,00 |           |         | --    |
| 0034 |   | MLML08068 |                  | RESSORT D.1,5 L.23                       | 1,00 |           |         | --    |
| 0035 |   | TBBP00058 |                  | TUYAU B.P. D. 4- 7                       | 0,25 |           |         | --    |



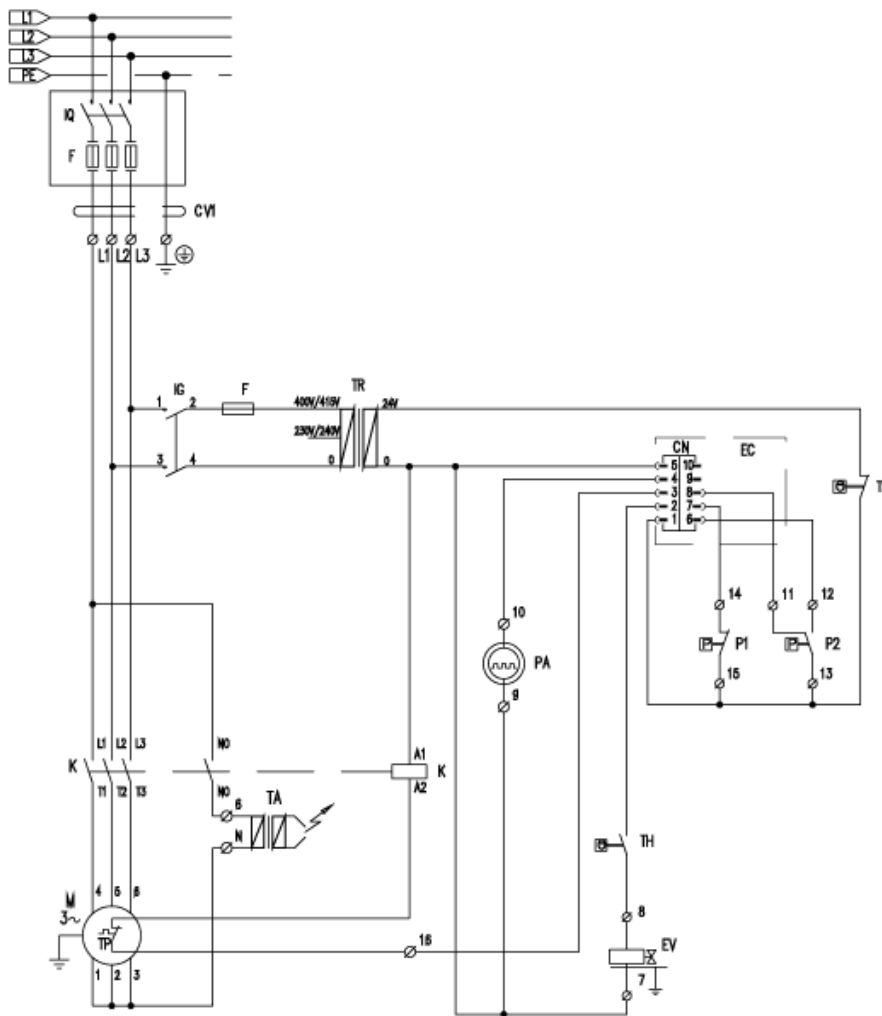
| Ref. | K | Part N.   | Customer Part N. | Description                          | Qty  | Validity: |         | Price |
|------|---|-----------|------------------|--------------------------------------|------|-----------|---------|-------|
|      |   |           |                  |                                      |      | From      | To      |       |
| 0035 |   | TBBP00058 |                  | TUYAU B.P. D. 4- 7                   | 0,35 |           |         | --    |
| 0036 |   | MPVR40177 |                  | BUSE A EAU P190 D. 7 PVC             | 1,00 | 04/2009   |         | --    |
| 0036 |   | FSVR72800 |                  | COLLIER D 8.3 - 8.8                  | 2,00 |           |         | --    |
| 0037 |   | RCDS10546 |                  | SIEGE SOUPAPE 1/4M + PG. D.3-7.5 OTT | 1,00 | 04/2009   |         | --    |
| 0038 |   | GUGO01036 |                  | O-RING D. 10.82 X 1.78 NBR 70SH      | 1,00 | 04/2009   |         | --    |
| 0039 |   | GUGO01055 |                  | O-RING D. 5.28 X 1.78 VIT 70SH       | 1,00 | 04/2009   |         | --    |
| 0040 |   | SFVR04274 |                  | BILLE D. 7/32                        | 1,00 | 04/2009   |         | --    |
| 0041 |   | MLML21505 |                  | RESSORT D. 8 X5 X0.3                 | 1,00 | 04/2009   |         | --    |
| 0042 |   | RCDS46072 |                  | CORPS VALVE N/R 1/4F-1/4 P176 OT     | 1,00 | 04/2009   |         | --    |
| 0043 |   | RCVR41987 |                  | COUDE 3/8" F.A.P. OT.MTM             | 1,00 |           |         | --    |
| 0044 |   | VTRS00548 |                  | RONDELLE D.17,5X23X1,5 (3/8)RM       | 2,00 |           |         | --    |
| 0045 |   | RCDS40031 |                  | VIS CREUSE G 3/8 - 3/8F L=50 ZC.     | 1,00 |           |         | --    |
| 0046 |   | MPVR20904 |                  | BOUCHON KSM                          | 1,00 |           | 11/2013 | --    |
| 0046 |   | MPVR40588 |                  | BOUCHON KSM +F.                      | 1,00 | 12/2013   |         | --    |



| Ref. | K | Part N.   | Customer Part N. | Description                             | Qty  | Validity:<br>From | To      | Price |
|------|---|-----------|------------------|---|------|-------------------|---------|-------|
| 0001 |   | GUGO21222 |                  | O-RING D. 15.54 X 2.62 VIT 80SH         | 2,00 |                   |         | --    |
| 0002 |   | GUVR21021 |                  | BAGUE ANTIEXTR.D.21 X17 TEF.            | 2,00 |                   |         | --    |
| 0003 |   | RCDS21120 |                  | FRETTE M 26 X 1,5                       | 2,00 |                   |         | --    |
| 0004 |   | LAFN20108 |                  | BAGUE D.298 KSM                         | 1,00 |                   |         | --    |
| 0005 |   | VTVR47052 |                  | GOUPILLE "R" D. 2 X 43 ZC               | 1,00 |                   |         | --    |
| 0007 |   | LAFN48448 |                  | FOND CHAUDIERE KSM 2V. ZN               | 1,00 |                   |         | --    |
| 0008 |   | LAFN48368 |                  | BANDE KSM 2V. INX                       | 1,00 |                   |         | --    |
| 0009 |   | ITTE48373 |                  | FOND KSM C.TE                           | 1,00 |                   |         | --    |
| 0011 |   | LAGR29730 |                  | SERPENTIN DOUB.M26X1.5 SLR 26MT GZ.     | 1,00 |                   |         | --    |
| 0012 |   | LAFN29735 |                  | CYLINDRE INT. SLR INX                   | 1,00 |                   |         | --    |
| 0013 |   | LAFN87617 |                  | CYLINDRE EXT. P190 26MT-V.KS INX.       | 1,00 |                   |         | --    |
| 0014 |   | GUVR25775 |                  | JOINT D. 105/88 X 3                     | 1,00 |                   |         | --    |
| 0015 |   | LAFN20055 |                  | PORTE D.NETT. KSM                       | 1,00 |                   |         | --    |
| 0016 |   | LAFN30294 |                  | DEFLECTEUR KSM/AGN                      | 1,00 |                   |         | --    |
| 0017 |   | UGBR18630 |                  | GIGLEUR BRULEUR0.75 45 A                | 1,00 |                   |         | --    |
| 0018 |   | MFVR88612 |                  | PORTE-ELECTRODEKSM 1/8CN.               | 1,00 | 01/2005           |         | --    |
| 0019 |   | RCVR08954 |                  | COUDE 1/8"-4 B5                         | 1,00 | 03/2015           |         | --    |
| 0019 |   | RCVR08954 |                  | COUDE 1/8"-4 B5                         | 1,00 |                   | 06/2013 | --    |
| 0019 |   | RCVR14014 |                  | RACCORD BI-CONEDTT 1/8"M B1 D. 2/ 4 NIK | 1,00 | 07/2013           | 10/2013 | --    |
| 0019 |   | RCVR40126 |                  | RACCORD BI-CONET 1/8"M/F D. 4/ 6C NK.   | 1,00 | 11/2013           | 02/2015 | --    |
| 0019 |   | RCVR72867 |                  | RACCORD A "T" 1/8" FFM                  | 1,00 | 07/2013           | 10/2013 | --    |
| 0019 |   | RCVR89230 |                  | BOUCHON G 1/8 M C/O-RING.               | 1,00 | 07/2013           | 02/2015 | --    |
| 0020 |   | MECA18232 |                  | ELECTRODE L=101.5 KSM                   | 2,00 |                   |         | --    |
| 0021 |   | LAFN20123 |                  | PLAQUETTE KSM INX                       | 1,00 |                   |         | --    |
| 0022 |   | TBCO40015 |                  | TUYAU GASOIL P190 26MT D. 4 2V.         | 1,00 | 11/2013           | 03/2014 | --    |
| 0022 |   | TBCO40045 |                  | TUYAU GASOIL P190 26MT D. 4 IX          | 1,00 | 09/2014           |         | --    |
| 0022 |   | TBCO48642 |                  | TUYAU GASOIL P190 26MT D. 4             | 1,00 |                   | 10/2013 | --    |
| 0022 |   | TBCO48642 |                  | TUYAU GASOIL P190 26MT D. 4             | 1,00 | 03/2014           | 09/2014 | --    |
| 0023 |   | MECB34463 |                  | CABLE BT L=800 SP.                      | 1,00 | 07/2012           |         | --    |
| 0024 |   | MECV35334 |                  | CABLE A.T. 9,8-23KOHM/M L= 400P         | 2,00 | 07/2012           |         | --    |
| 0025 |   | LAFN36603 |                  | RALLONGE CHEM. KSM H.45 INX             | 1,00 |                   |         | --    |

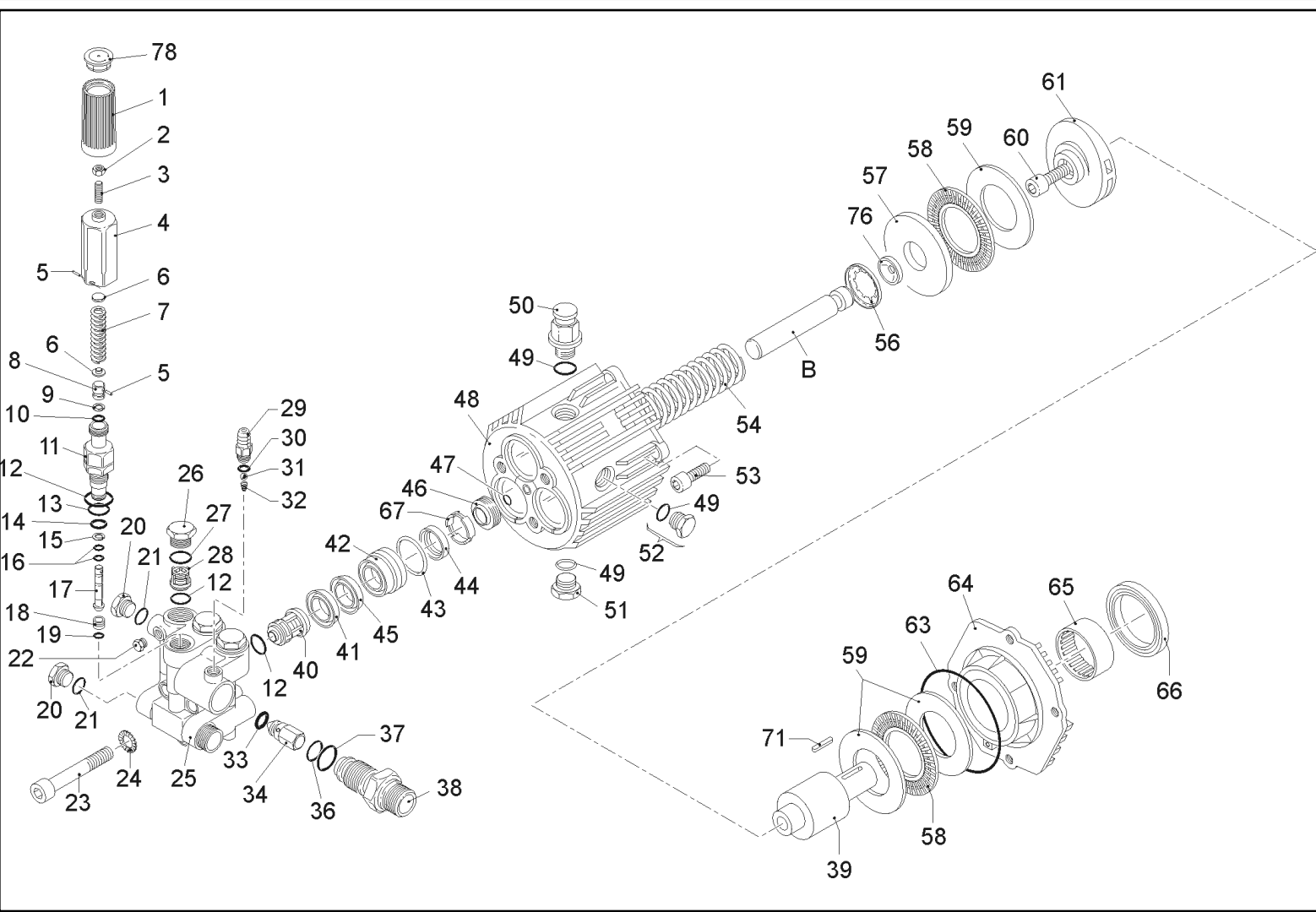


| Ref. | K | Part N.   | Customer Part N. | Description                             | Qty  | Validity: |    | Price |
|------|---|-----------|------------------|---|------|-----------|----|-------|
|      |   |           |                  |   |      | From      | To |       |
| 0001 |   | MPVR20125 |                  | CORPS COQUILLE KSM PP                   | 1,00 |           |    | --    |
| 0002 |   | VEVR20128 |                  | HELICE KSM D.140 29P. PA66              | 1,00 |           |    | --    |
| 0003 |   | LAFN21890 |                  | DOUILLE D. 25                           | 1,00 |           |    | --    |
| 0004 |   | MPVR20126 |                  | COUV. VENTILAT.KSM PP                   | 1,00 |           |    | --    |
| 0005 |   | MPVR20129 |                  | PAPILLONFLUEGELKSM PP                   | 1,00 |           |    | --    |
| 0006 |   | VTVR20127 |                  | AGRAFE KSM                              | 6,00 |           |    | --    |
| 0007 |   | GUGO20124 |                  | JOINT KSM                               | 1,00 |           |    | --    |
| 0008 |   | MPVR48497 |                  | TAPIS DE TRANS.P190 PA6 BK.             | 1,00 |           |    | --    |
| 0009 |   | MPVR21415 |                  | AGRAFE KSM                              | 2,00 |           |    | --    |
| 0010 |   | FGGT49223 |                  | JOINT KSM/P190 2V. PP                   | 1,00 |           |    | --    |
| 0011 |   | PPGS40002 |                  | POMPE FUEL DNF BFA 01R3R1               | 1,00 |           |    | --    |
| 0012 |   | VTRS04931 |                  | RONDELLE COPPER D.13X19X1.5             | 1,00 |           |    | --    |
| 0013 |   | RCDS00626 |                  | RACC. P. TUYAU 1/4 M D. 5- 7            | 1,00 |           |    | --    |
| 0015 |   | TBCO06945 |                  | TUYAU B.P. D. 6-12 10BAR C.PRESS        | 0,70 | 12/2003   |    | --    |
| 0015 |   | TBCO06945 |                  | TUYAU B.P. D. 6-12 10BAR C.PRESS        | 0,65 | 12/2003   |    | --    |
| 0016 |   | FSVR11197 |                  | COLLIER D.I. 11 13315                   | 2,00 |           |    | --    |
| 0017 |   | FTCO10912 |                  | FILTRE FB 13/TA NYL.                    | 1,00 |           |    | --    |
| 0018 |   | RCVR14014 |                  | RACCORD BI-CONEDTT 1/8"M B1 D. 2/ 4 NIK | 1,00 |           |    | --    |
| 0020 |   | MECB18118 |                  | CABLE DLT L=1.600                       | 1,00 | 07/2012   |    | --    |

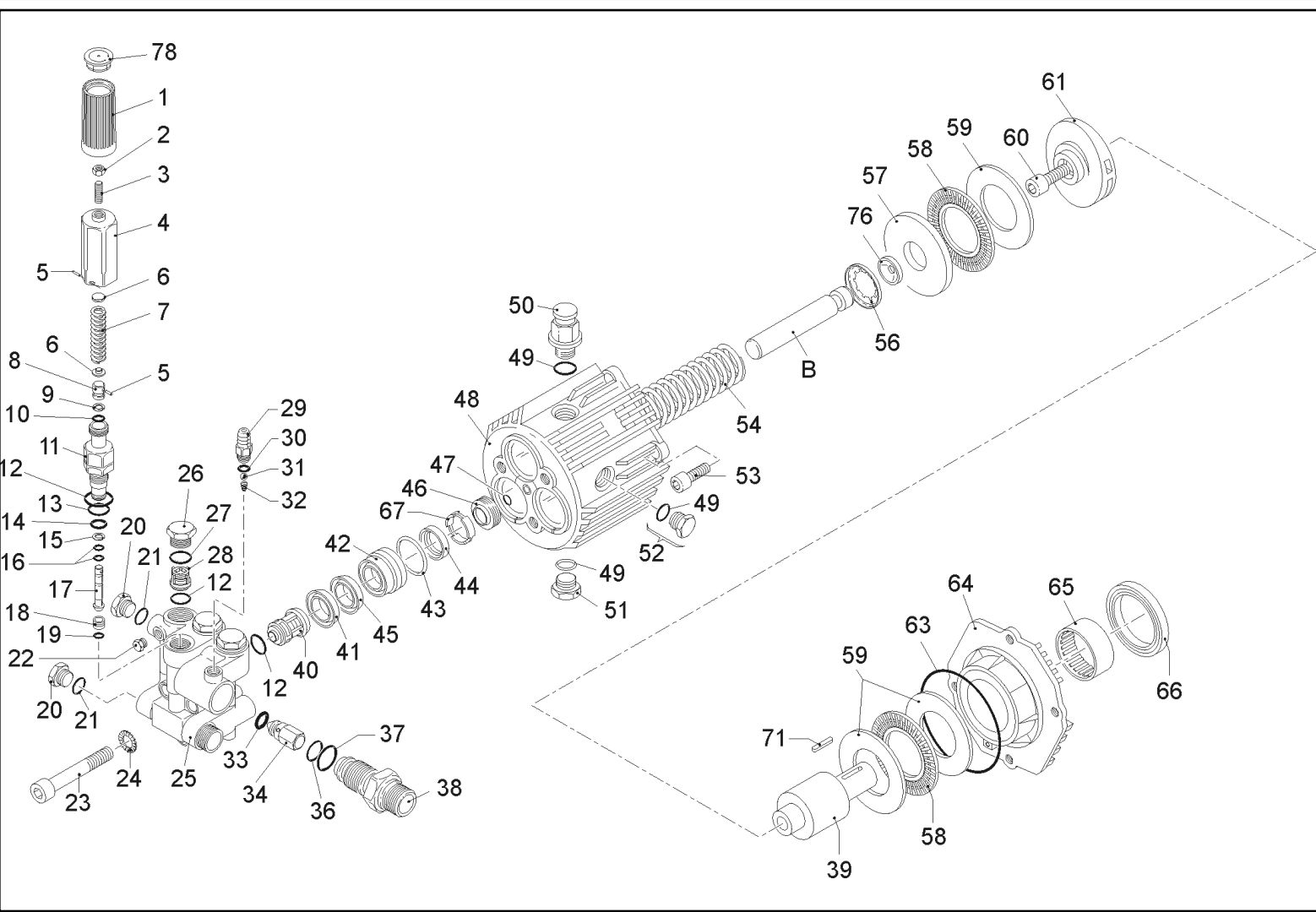


| Ref. | K | Part N.   | Customer Part N. | Description                              | Qty  | Validity: |         | Price |
|------|---|-----------|------------------|--|------|-----------|---------|-------|
|      |   |           |                  |  |      | From      | To      |       |
| F    |   | MEVR02824 |                  | FUSIBLE 5X20 1A                          | 1,00 | 07/2012   | --      | --    |
| K    |   | METT40008 |                  | TELERUPTEUR SIE 3RT 2016-1AB01 24V       | 1,00 | 10/2014   | --      | --    |
| K    |   | METT43990 |                  | TELERUPTEUR SIE 3RT 1017 1AB01 5/60HZ    | 1,00 | 07/2012   | 09/2014 | --    |
| EC   |   | MECE48580 |                  | PLATINE P190 T-ST/MP V.PLUS              | 1,00 | 07/2012   | --      | --    |
| EV   |   | MEBE43704 |                  | BOBINE DNF 24-50                         | 1,00 | 04/2011   | --      | --    |
| IG   |   | MECI40020 |                  | INTERRUPTEUR BRM BP. 0-1 12A             | 1,00 | 07/2012   | --      | --    |
| P1   |   | MEPF40009 |                  | PRESSOSTAT PR 5 3/8M 25BAR               | 1,00 | 07/2012   | --      | --    |
| P1   |   | MEPF45229 |                  | PRESSOSTAT MTM 3/8M NA/NC 25B. MICRO     | 1,00 |           | 05/2012 | --    |
| P2   |   | MEPF39902 |                  | PRESSOSTAT MTM 1/4M NA/NC 25B. MICRO     | 1,00 |           | 05/2012 | --    |
| P2   |   | MEPF76254 |                  | PRESSOSTAT PR 5 1/4M 25BAR               | 1,00 | 07/2012   | --      | --    |
| PA   |   | MEPD25575 |                  | POMPE DOSEUSE NME-1 24V CPL.             | 1,00 | 07/2012   | --      | --    |
| TA   |   | METR88630 |                  | TRANSFORMATEUR 23/240V-5/60HZ 2X26KV TR. | 1,00 | 07/2012   | --      | --    |
| TH   |   | METK19354 |                  | THERMOSTAT 0-150° L=1500                 | 1,00 |           | 12/2010 | --    |
| TH   |   | METK40011 |                  | THERMOSTAT 0-150° L=1500 F&C             | 1,00 | 07/2012   | --      | --    |
| TR   |   | METR40003 |                  | TRANSFORMATEUR 35VA 230-400/24 5/60HZ PM | 1,00 | 07/2012   | --      | --    |
| TS   |   | METK40007 |                  | THERMOSTAT 65°C NSP-040 PT RIPR.         | 1,00 | 07/2012   | --      | --    |
| TS   |   | METK49116 |                  | THERMOSTAT 65°C TG400 C.1,5 RIPR.        | 1,00 |           | 04/2011 | --    |
| CV1  |   | MECB10518 |                  | CABLE H07 RNF 4X1.5 L=6.500              | 1,00 | 07/2012   | --      | --    |

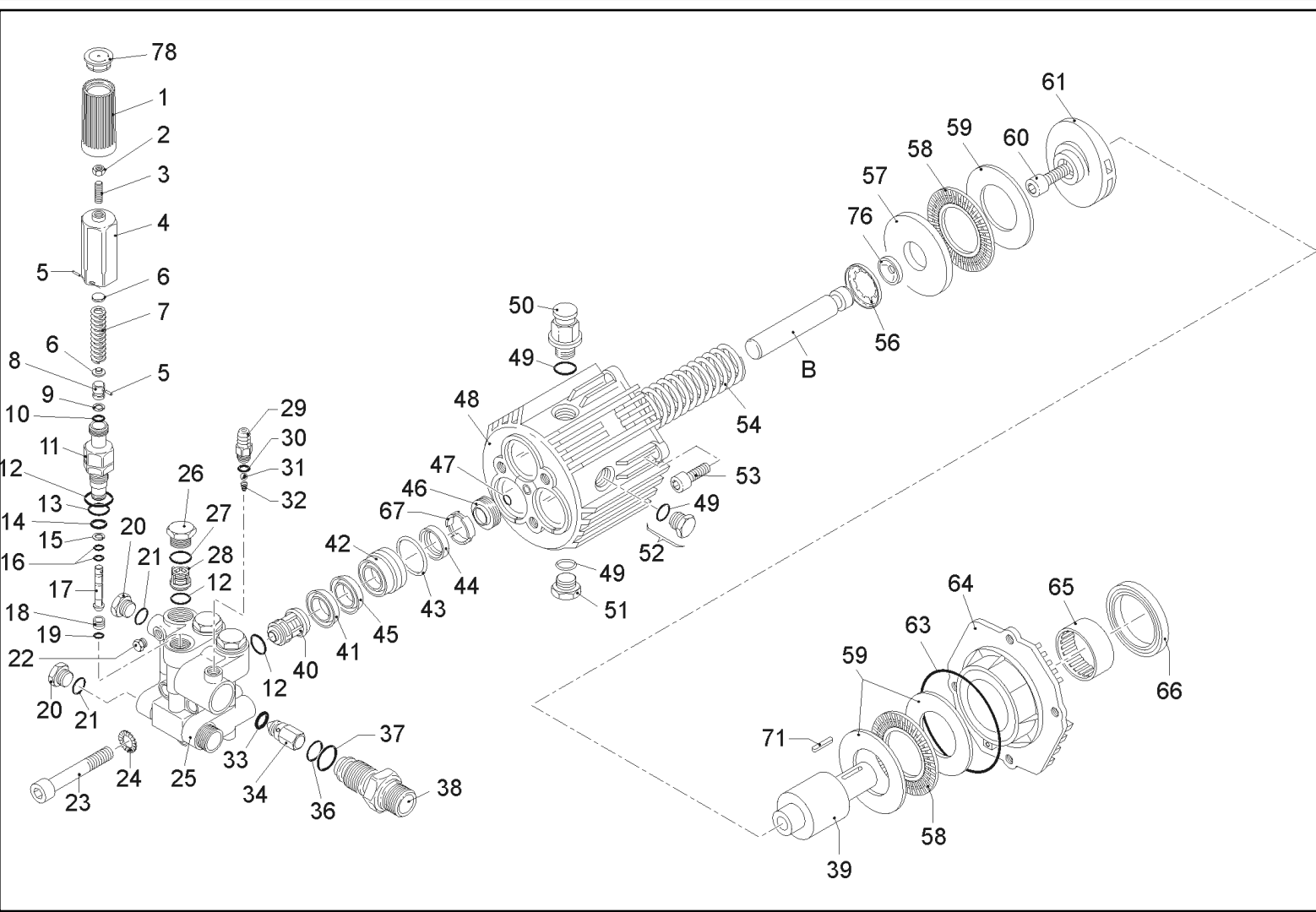




| Ref. | K | Part N.   | Customer Part N. | Description                     | Qty  | Validity:<br>From | To | Price |
|------|---|-----------|------------------|---------------------------------|------|-------------------|----|-------|
| 0001 |   | MPVR40162 |                  | POIGNEE AR XJS                  | 1,00 |                   |    | --    |
| 0002 |   | VTDD00482 |                  | ECROU M 6 ZIN UNI 5588          | 1,00 |                   |    | --    |
| 0003 |   | VTVT20261 |                  | VIS EI-ST 6X20 UNI5923          | 1,00 |                   |    | --    |
| 0004 |   | PVVR40066 |                  | REGLEUR AR XJS                  | 1,00 |                   |    | --    |
| 0005 |   | VTVR19193 |                  | GOUPILLE D. 2.5X10              | 2,00 |                   |    | --    |
| 0006 |   | PVVR40067 |                  | COUPELLE RESS. AR XJS           | 2,00 |                   |    | --    |
| 0007 |   | MLML40007 |                  | RESSORT D. 10.8X48.9 D.2.8 XJS  | 1,00 |                   |    | --    |
| 0008 |   | PVVR40068 |                  | PETIT PISTON AR XJS SP.         | 1,00 |                   |    | --    |
| 0009 |   | GUVR40026 |                  | BAGUE ANTIEXTR.D. 8             | 1,00 |                   |    | --    |
| 0010 |   | GUGO06988 |                  | O-RING D. 7.66 X 1.78 NBR 70SH  | 1,00 |                   |    | --    |
| 0011 |   | PVVR40069 |                  | TIGE DE PISTON AR XJS           | 1,00 |                   |    | --    |
| 0012 | S | GUGO02259 |                  | O-RING D. 15.54 X 2.62 NBR 70SH | 7,00 |                   |    | --    |
| 0013 |   | GUGO09720 |                  | O-RING D. 14 X 1.78 NBR 70SH    | 1,00 |                   |    | --    |
| 0014 |   | GUGO63403 |                  | O-RING D. 8.73 X 1.78 NBR 70SH  | 1,00 |                   |    | --    |
| 0015 |   | GUVR40027 |                  | BAGUE ANTIEXTR.D. 3.7           | 1,00 |                   |    | --    |
| 0016 |   | GUGO19189 |                  | O-RING D. 2.90 X 1.78 NBR 70SH  | 2,00 |                   |    | --    |
| 0017 |   | PVVR40070 |                  | PISTON COMMANDEAR XJS IF.       | 1,00 |                   |    | --    |
| 0018 |   | PVVR40071 |                  | SIEGE SOUPEPE AR XJS            | 1,00 |                   |    | --    |
| 0019 |   | GUGO41692 |                  | O-RING D. 9 X 1 NBR 70SH        | 1,00 |                   |    | --    |
| 0020 |   | RCVR01716 |                  | BOUCHON 1/4X 7 M                | 2,00 |                   |    | --    |
| 0021 |   | GUGO01036 |                  | O-RING D. 10.82 X 1.78 NBR 70SH | 2,00 |                   |    | --    |
| 0022 |   | RCDS19214 |                  | BOUCHON 1/8 M                   | 1,00 |                   |    | --    |
| 0023 |   | VTVT40014 |                  | VIS TCEI 10X65 UNI5931          | 3,00 |                   |    | --    |
| 0024 |   | VTRS00519 |                  | RONDELLE D.10 DT                | 3,00 |                   |    | --    |
| 0025 |   | MFVR40014 |                  | CULASSE AR SJS OT.              | 1,00 |                   |    | --    |
| 0026 |   | PVVR40072 |                  | BOUCHON AR XJS                  | 3,00 |                   |    | --    |
| 0027 |   | GUGO03502 |                  | O-RING D. 17.86 X 2.62 NBR 70SH | 3,00 |                   |    | --    |
| 0028 | S | VVAM19220 |                  | ENSEMBL. CLAPETXTS              | 3,00 |                   |    | --    |
| 0029 |   | PVVR40073 |                  | SIEGE SOUPEPE 1/8M +PG. D.8 AR  | 1,00 |                   |    | --    |
| 0030 |   | GUGO08071 |                  | O-RING D. 4.48 X 1.78 NBR 70SH  | 1,00 |                   |    | --    |
| 0031 |   | SFVR04274 |                  | BILLE D. 7/32                   | 1,00 |                   |    | --    |
| 0032 |   | MLML40008 |                  | RESSORT D. 4                    | 1,00 |                   |    | --    |
| 0033 |   | GUGO12494 |                  | O-RING D. 4 X 2.5 -NBR 70SH     | 1,00 |                   |    | --    |
| 0034 |   | PVVR40074 |                  | OBTURATEUR N.RIT. XJS           | 1,00 |                   |    | --    |
| 0036 |   | GUGO11652 |                  | O-RING D. 12.42 X 1.78 NBR 70SH | 1,00 |                   |    | --    |
| 0037 |   | GUGO03505 |                  | O-RING D. 15.6 X 1.78 NBR 70SH  | 1,00 |                   |    | --    |
| 0038 |   | RCDS40063 |                  | RACCORD 3/8NPT-M18X1 D.4.0 OT.  | 1,00 |                   |    | --    |
| 0039 |   | ALMO40004 |                  | ARBRE AR XJS 10 VRS. N          | 1,00 |                   |    | --    |
| 0040 | S | VVAM40000 |                  | ENSEMBL. CLAPETXJS BP           | 3,00 |                   |    | --    |



| Ref. | K | Part N.   | Customer Part N. | Description                     | Qty  | Validity:<br>From To | Price |
|------|---|-----------|------------------|---------------------------------|------|----------------------|-------|
| 0041 | S | GUVR40028 |                  | BAGUE D'ETANCH.D. 15 XJS        | 3,00 | --                   | --    |
| 0042 |   | PVVR40083 |                  | BAGUE P.GARNIT.D. 15 SJS        | 3,00 | --                   | --    |
| 0043 | S | GUGO19290 |                  | O-RING D. 23.52 X 1.78 NBR 70SH | 3,00 | --                   | --    |
| 0044 | S | PVVR40076 |                  | BAGUE INTERMED.D. 15 XJS        | 3,00 | --                   | --    |
| 0045 | S | GUVR40029 |                  | BAGUE D'ETANCH.D. 15 SJS        | 3,00 | --                   | --    |
| 0046 | S | GUGO40009 |                  | JOINT SPI D. 15 XJS             | 3,00 | --                   | --    |
| 0047 | S | GUGO10464 |                  | O-RING D. 5.28 X 1.78 NBR 70SH  | 1,00 | --                   | --    |
| 0048 |   | MFVR40012 |                  | CARTER POMPE AR XJS             | 1,00 | --                   | --    |
| 0049 |   | GUGO09720 |                  | O-RING D. 14 X 1.78 NBR 70SH    | 3,00 | --                   | --    |
| 0050 |   | PVVR40078 |                  | BOUCHON HUILE AR XJS            | 1,00 | --                   | --    |
| 0051 |   | RCVR12243 |                  | BOUCHON 3/8M L=10               | 1,00 | --                   | --    |
| 0052 |   | PVVR40079 |                  | BOUCHON G 3/8 C/OR XJS          | 1,00 | --                   | --    |
| 0053 |   | VTVT00801 |                  | VIS TCEI M 8X20 UNI 5931 ZC.    | 4,00 | --                   | --    |
| 0054 |   | MLML40009 |                  | RESSORT AR XJS                  | 3,00 | --                   | --    |
| 0055 | S | PIVR40003 |                  | PISTON D.15 SJS                 | 3,00 | --                   | --    |
| 0056 |   | PVVR40080 |                  | BAGUE D.15 XJS                  | 3,00 | --                   | --    |
| 0057 |   | CUVR40005 |                  | BUTEE D. X60H6                  | 1,00 | --                   | --    |
| 0058 |   | CUVR92973 |                  | ROULEM.A ROUL. AXK 4060         | 2,00 | --                   | --    |
| 0059 |   | CUVR92974 |                  | BRIDE D. 40X60-1 AS4060         | 3,00 | --                   | --    |
| 0060 |   | VTVT01118 |                  | VIS TCEI M 8X16 ZC. UNI 5931    | 1,00 | --                   | --    |
| 0061 |   | PVVR40084 |                  | PLAT SJS 12.17                  | 1,00 | --                   | --    |
| 0063 |   | GUGO28317 |                  | O-RING D. 82.22 X 2.62 NBR 70SH | 1,00 | --                   | --    |
| 0064 |   | MFVR40013 |                  | BRIDE AR XJS                    | 1,00 | --                   | --    |
| 0065 |   | CUVR40004 |                  | ROULEM.A ROUL. HK 4020          | 1,00 | --                   | --    |
| 0066 | S | GUGO23638 |                  | JOINT SPI 40X 52X 7 NBR70       | 1,00 | --                   | --    |
| 0067 |   | PVVR40082 |                  | ENTRETOISE D. 15 XJS            | 1,00 | --                   | --    |
| 0071 |   | VTVR10885 |                  | CLE 8X7X25                      | 1,00 | --                   | --    |
| 0076 |   | PVVR40085 |                  | COUPELLE RESS. AR SJS           | 3,00 | --                   | --    |
| 0078 |   | MPVR40163 |                  | BOUCHON AR XJS                  | 1,00 | --                   | --    |



| Ref. Part N. | Cust. Part N. | Description            | Reference           | Price |
|--------------|---------------|------------------------|---------------------|-------|
| KTRI40072    |               | KIT P 15-42910 XJS     | 0012 0028 0040      | --    |
| KTRI40074    |               | KIT P 15-42907 XJS     | 0046 0047 0066      | --    |
| KTRI40076    |               | KIT P 15-2513 SJS      | 0055                | --    |
| KTRI40077    |               | KIT P 15-2167 SJS D.15 | 0041 0043 0044 0045 | --    |