



**IPC Integrated Professional Cleaning**

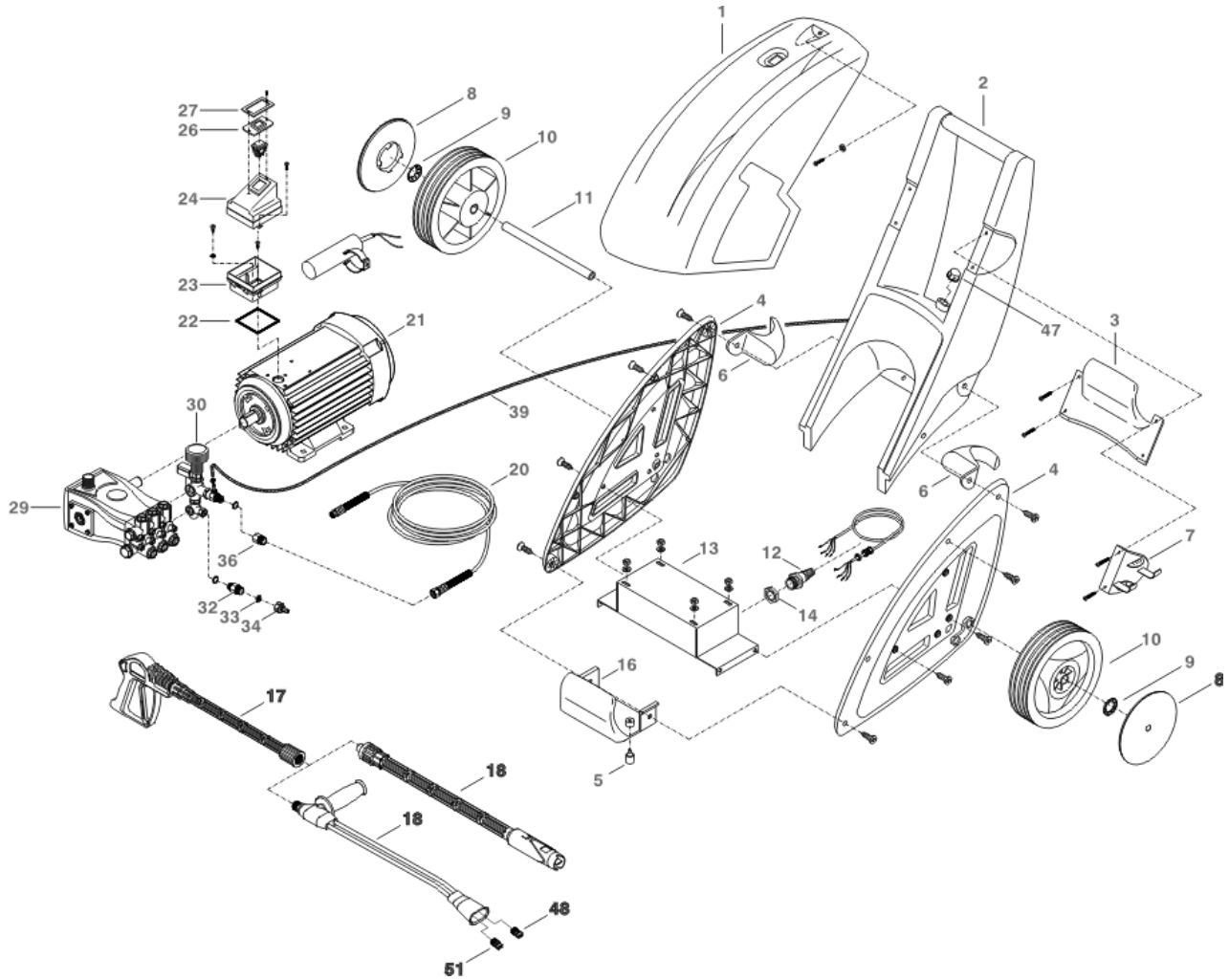
**IPC**Portotecnica

## **Spare Parts List**

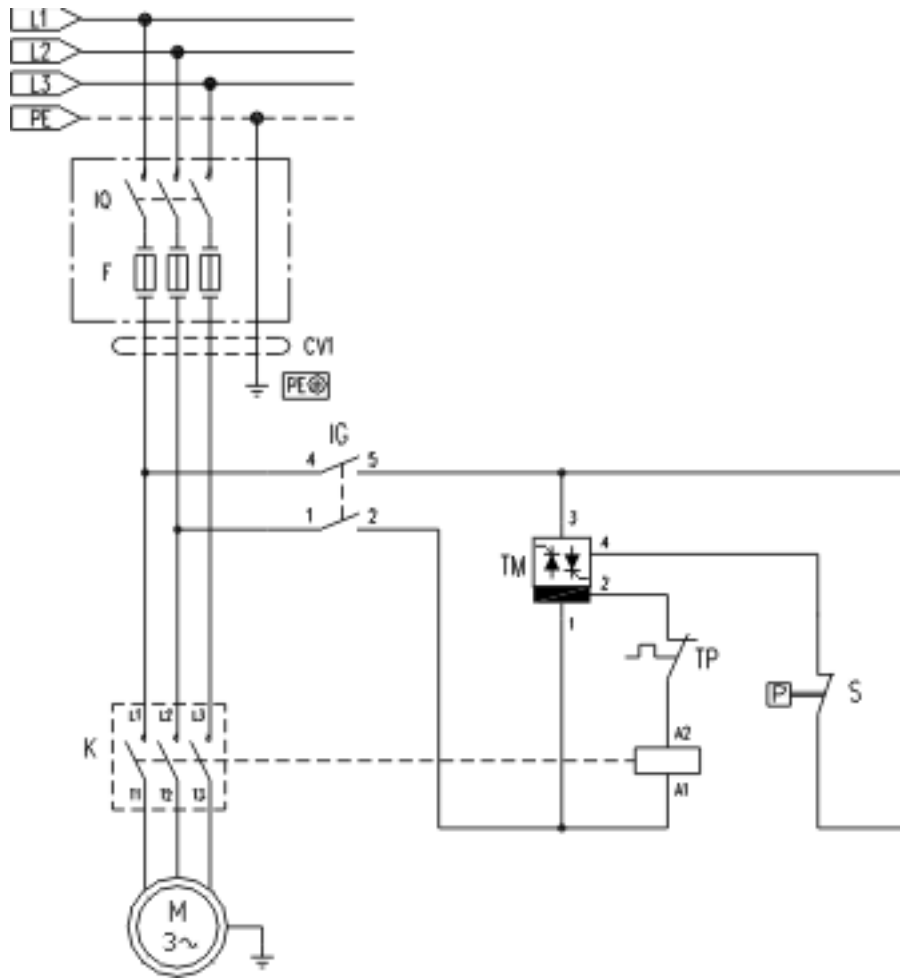
**ICA**

**Ref: IDAF40154 - .**

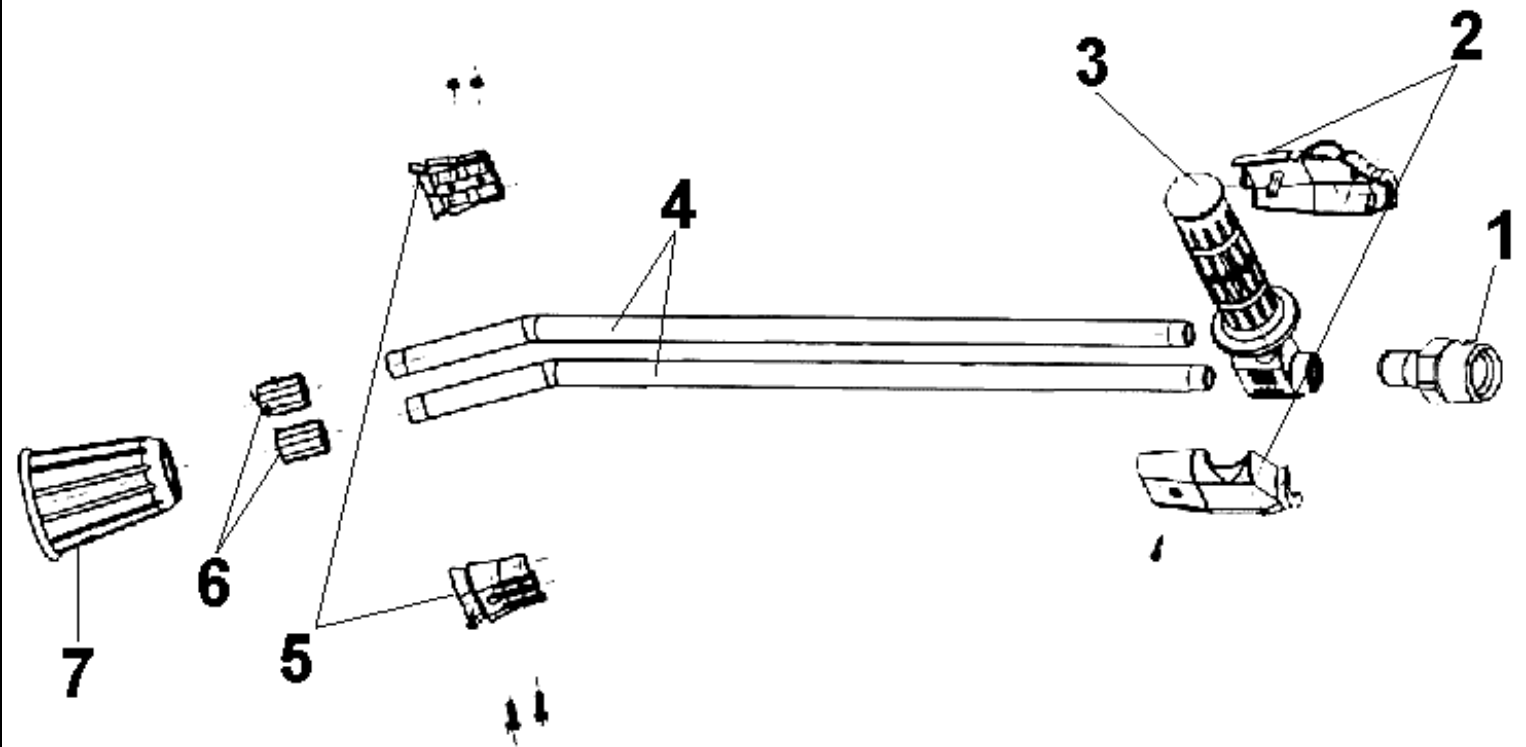
**Model: FTP 180 TRb**



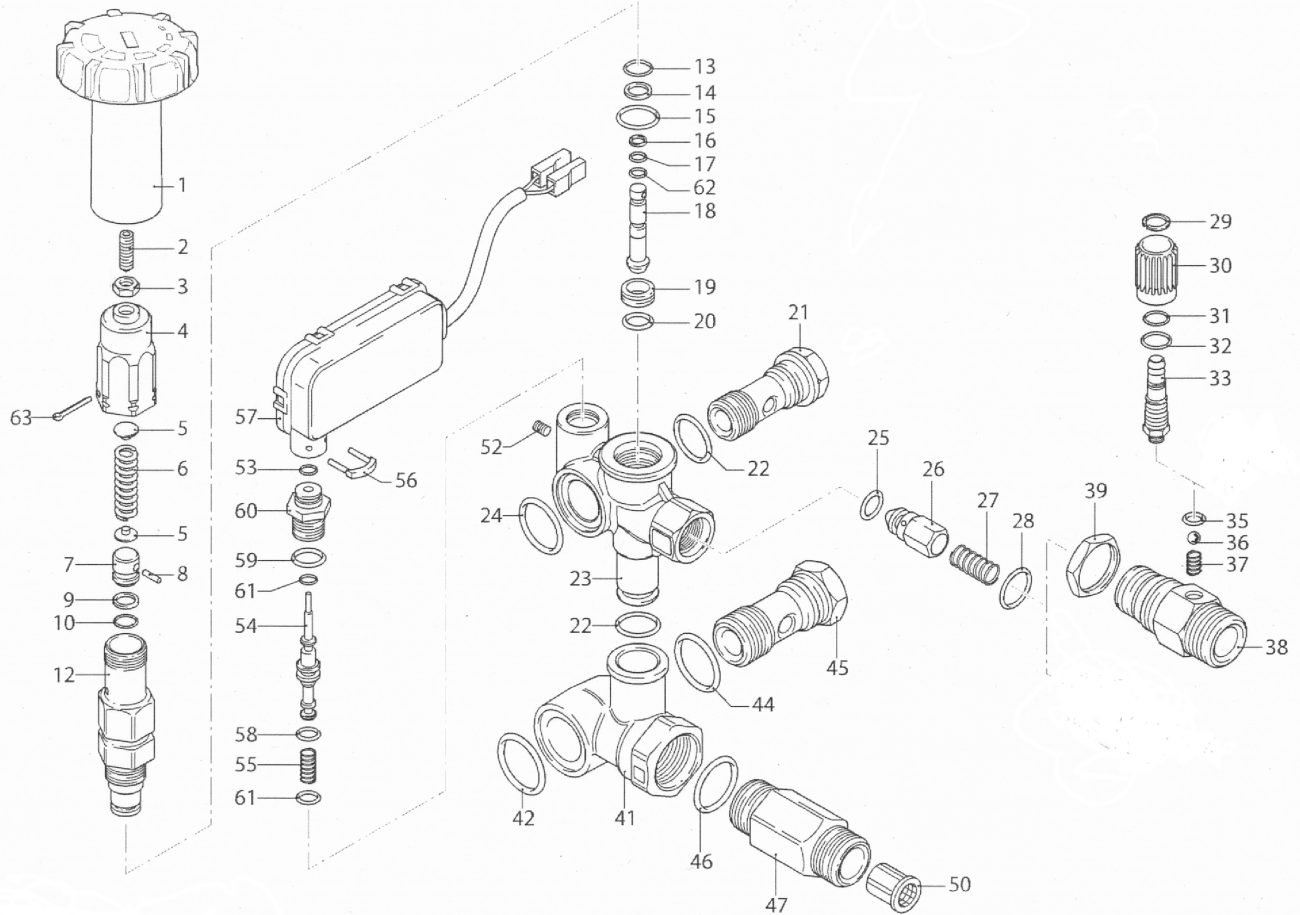
Ref. K	Part N.	Customer Part N.	Description	Qty	Validity: From To	Price
0001	MPVR40249		COUVERT.ROUGE FT-FTP PP	1,00		--
0002	MPVR58544		RESERVOIR FT 200	1,00		--
0003	MPVR60611		SUPPORT AVV. FT200	1,00		--
0004	MFVR93812		CHASSIS CARRELLO FT200	2,00		--
0005	MPVR60553		PETIT PIED GOMMA 20X20 AQ EPDR50	2,00		--
0006	LAFN58986		PLAQUETTE AVVOLGICAVO FT200	2,00		--
0007	MPVR60616		SUPPORT LANCIA FT200	1,00		--
0008	MPVR60917		PROTEGE MOYEU SPI 2 D.250 BK	2,00		--
0009	VTRS28558		RONDELLE D.20	2,00		--
0010	RTRT60891		ROUE D.250X50 D.20 SPI 2	2,00		--
0011	LAFN62390		AXE ROUE FT200 ZC.	1,00		--
0012	MEVR61879		PASSAGE P.CABLEPG 13.5 SP.	1,00		--
0013	LAFN40368		SUPPORT MOTEUR FTP-AR H. 90	1,00		--
0014	MEVR87376		CONTRE-ECROU PG 13	1,00		--
0016	MPVR60528		PLAQUE PROT.SCAT.MICRO FT200	1,00		--
0017	IPPR40007		POIGNEE ST 1100 -P330 -M22 M	1,00		--
0018	LCPR12982		RALLONGE DOUBLEPD 50	1,00		--
0020	TBAP25324		TUYAU H.P. R1 MT 10 5/16" C/2 IRV ZC	1,00		--
0021	MOTR40014		MOTEUR 3PH B3-B14/AC HP5.5 400-50 2P	1,00		--
0022	GUGO40014		JOINT FTP -MEC 90	1,00		--
0023	MPVR40251		DOUILLE FTP M90 C/F.DS.T.	1,00		--
0024	MPVR80674		COUVERCLE SC.EL. FT200 S2	1,00		--
0026	MPVR94316		CADRE WAP	1,00	12/2010	--
0027	MPVR60539		PLAQUETTE WAP	1,00		--
0029	PPAP40056		POMPE RCS 13.18 DX N	1,00		--
0030	VVAZ40012		SOUPAPE AR M.MATIC 4/B-RC+TS/I.FT	1,00		--
0032	RCDS87610		NIPPLE 3/4 - 1/2 CB D.13.0	1,00		--
0033	LAFN58908		FILTRE ASPIRAT.INDY	1,00		--
0034	RCVR29600		PRISE PTC 3/4 F	1,00		--
0036	RCDS72894		RACCORD M22x1,5-3/8"	1,00		--
0039	TBBP62474		TUYAU B.P. D. 7-10 CR.	0,55		--
0047	MPVR60848		BOUCHON RESERV. 1-1/4F	1,00		--
0048	UGLN05174		BUSE 1/4 5040 OT	1,00		--
0051	UGLN49987		BUSE LECH 1/4 15045	1,00	04/2006	--



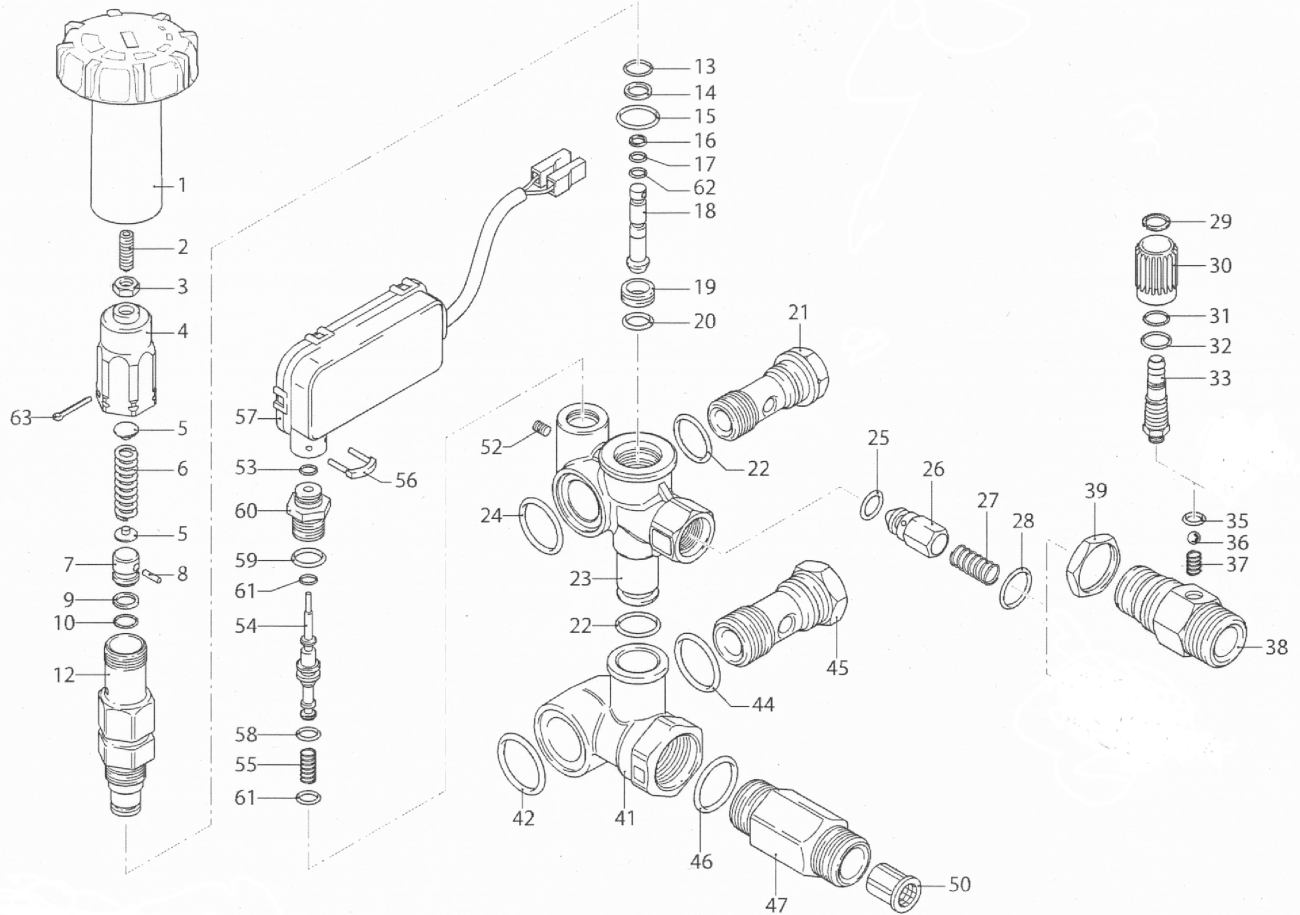
Ref.	K	Part N.	Customer Part N.	Description	Qty	Validity:		Price
						From	To	
K		METT40664		TELERUPTEUR SIE 3RT 1017 1AV01 400V	1,00			--
IG		MECI81105		INTERRUPTEUR SLX 16A 250V 0-1 8212 BI	1,00			--
TM		METY37439		MINUTEUR THV/1S 380-415V 30S.5/60	1,00			--
CV1		MECB64233		CABLE H07 RNF 4X1.5 L=5.500	1,00			--



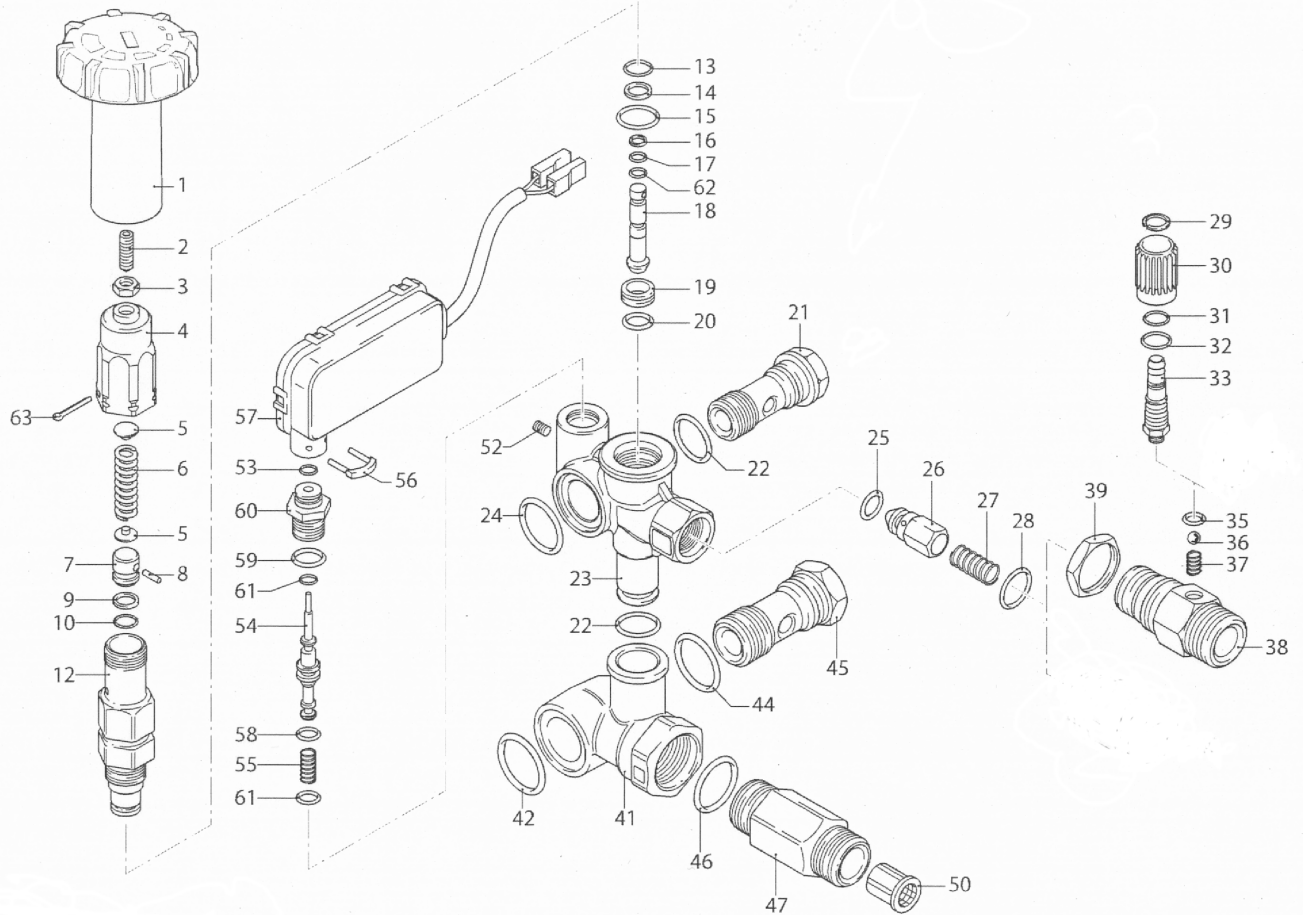
Ref. K	Part N.	Customer Part N.	Description	Qty	Validity:		Price
					From	To	
0001	PVVR45296		RACCORD G 1/4M -M22 M +PR.PLS	1,00			--
0002	MPVR45214		PROTECTION TB.1/4 MTM	1,00			--
0003	RCGR45737		ROBINET 1/8 F LD MTM	1,00			--
0004	LCPR45738		TUYAU 1/8 L=500 INOX MTM	2,00			--
0005	MPVR45001		COQUILLE LD MTM	1,00			--
0006	RCVR45741		PORTE BUSE 1/4-1/8 F MTM	2,00			--
0007	PVVR43810		PROTECTION L.D. MTM	1,00			--



Ref.	K	Part N.	Customer Part N.	Description	Qty	Validity: From To	Price
0001		MPVR40162		POIGNEE AR XJS	1,00		--
0002		VTVT19524		VIS EI-ST 6X16 UNI 5923	1,00		--
0003		VTDD00482		ECROU M 6 ZIN UNI 5588	1,00		--
0004		PVVR40133		REGLEUR AR M.MATIC	1,00		--
0005		PVVR40067		COUPELLE RESS. AR XJS	2,00		--
0006		MLML40007		RESSORT D. 8 XJS	1,00		--
0007	S	PVVR40068		PETIT PISTON AR XJS SP.	1,00		--
0008	S	VTVR19193		GOUPILLE D. 2.5X10	2,00		--
0009	S	GUVR40026		BAGUE ANTIEXTR.D. 8	1,00		--
0010	S	GUGO06698		O-RING D. 8 X 3.5 NBR 70SH	1,00		--
0012	S	PVVR40069		TIGE DE PISTON AR XJS	1,00		--
0013	S	GUGO09720		O-RING D. 14 X 1.78 NBR 70SH	1,00		--
0014	S	GUGO12490		O-RING D. 8.74 X 1.78 NBR 70SH	1,00		--
0015	S	GUGO02259		O-RING D. 15.54 X 2.62 NBR 70SH	1,00		--
0016	S	GUVR40027		BAGUE ANTIEXTR.D. 3	1,00		--
0017	S	GUGO19189		O-RING D. 2.90 X 1.78 NBR 70SH	4,00		--
0018	S	PVVR40070		PISTON COMMANDEAR XJS IF.	1,00		--
0019	S	PVVR40071		SIEGE SOUPAPE AR XJS	1,00		--
0020	S	GUGO41692		O-RING D. 9 X 1 NBR 70SH	1,00		--
0021		RCDS40068		VIS CREUSE G 3/8 M.MATIC 4/B OT.	1,00		--
0022		GUGO01047		O-RING D. 11.91 X 2.62 NBR 70SH	2,00		--
0023		PVVR40134		CORPS VALVE M.MATIC 4/B TSS	1,00		--
0024		GUGO19395		O-RING D. 20.24 X 2.62 NBR 70SH	1,00		--
0025	S	GUGO12494		O-RING D. 4 X 2.5 -NBR 70SH	1,00		--
0026	S	PVVR40074		OBTURATEUR N.RIT. XJS	1,00		--
0027	S	MLML32257		RESSORT D. 6.5 X14 D.0.5	1,00		--
0028	S	GUGO11652		O-RING D. 12.42 X 1.78 NBR 70SH	1,00		--
0029		PVVR40153		BAGUE AR M.MTC.	1,00		--
0030		PVVR40155		POIGNEE DET. M.MATIC	1,00		--
0031		GUGO03500		O-RING D. 6.75 X 1.78 NBR 70SH	1,00		--
0032		GUGO63403		O-RING D. 8.73 X 1.78 NBR 70SH	1,00		--
0033		PVVR40156		RACC. P. TUYAU M.MATIC 4/B IN.RG.	1,00		--
0035		GUGO08071		O-RING D. 4.48 X 1.78 NBR 70SH	1,00		--
0036		SFVR04274		BILLE D. 7/32	1,00		--
0037		MLML40008		RESSORT D. 4	1,00		--
0038		RCDS40074		NIPPLE G 3/8 D. 2 M.MATIC 4/B	1,00		--
0039		VTDD40003		CONTRE-ECROU G 3/8	1,00		--
0041		PVVR40131		RACCORD M.MATIC 4/B	1,00		--
0042		GUGO76542		O-RING D. 23.47 X 2.62 NBR 70SH	1,00		--



Ref. K	Part N.	Customer Part N.	Description	Qty	Validity:		Price
					From	To	
0044	GUGO01058		O-RING D. 17.17 X 1.78 NBR 70SH	1,00			--
0045	RCDS40070		VIS CREUSE G 1/2 M.MATIC 4/B	1,00			--
0049	MPVR40163		BOUCHON AR XJS	1,00			--
0052	VTVT40019		VIS M 3X 5 EI-ST UNI 5923	1,00			--
0053	GUGO19207		O-RING D. 1.78 X 1.78 NBR 70SH	1,00			--
0054	PVVR40136		PISTON COMMANDEAR TSS M.MTC	1,00			--
0055	MLML40017		RESSORT D. 8.7 X15.9 D.1.2	1,00			--
0056	LAFN40212		GOUPILLE "U" AR TSS	1,00			--
0057	MEPF40005		PRESSOSTAT AR TSS 220V N.A.	1,00			--
0058	GUGO12489		O-RING D. 6.07 X 1.78 NBR 70SH	1,00			--
0059	GUGO03496		O-RING D. 9.25 X 1.78 NBR 70SH	1,00			--
0060	PVVR40137		TIGE DE PISTON AR TSS M.MATIC	1,00			--



Ref. Part N.	Cust. Part N.	Description	Reference	Price
KTRI40127	KIT P	14-100 M.MATIC 4/B	0007 0008 0009 0010 0012 0013 0014 0015 0016 0017 0018 0019 0020	--
KTRI40128	KIT P	14-101 M.MATIC 4/B CK.V.	0025 0026 0027 0028	--