

*Cleaning  
Equipment*



**portotecnica**

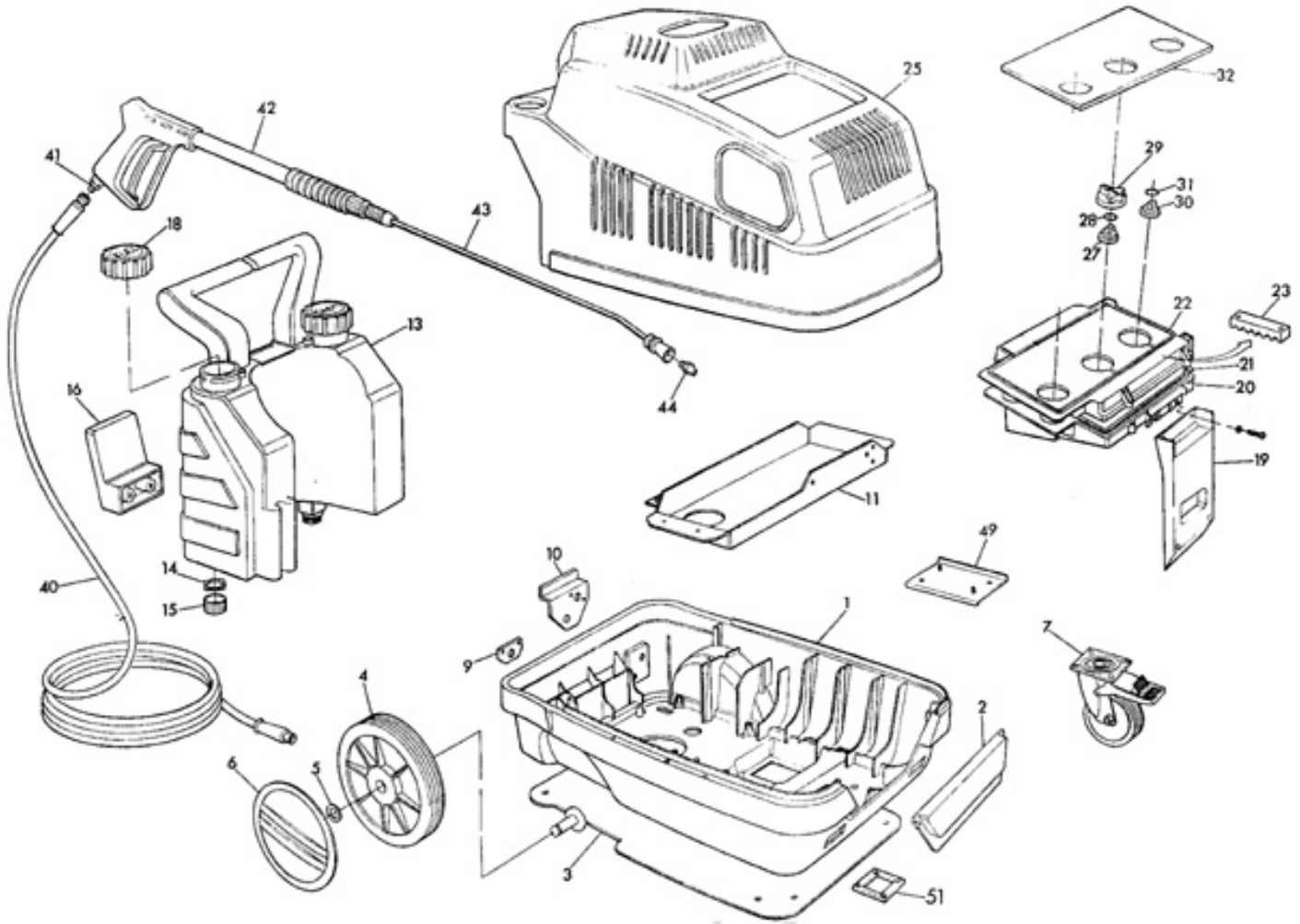
*www.portotecnica.com*

## **Spare Parts List**

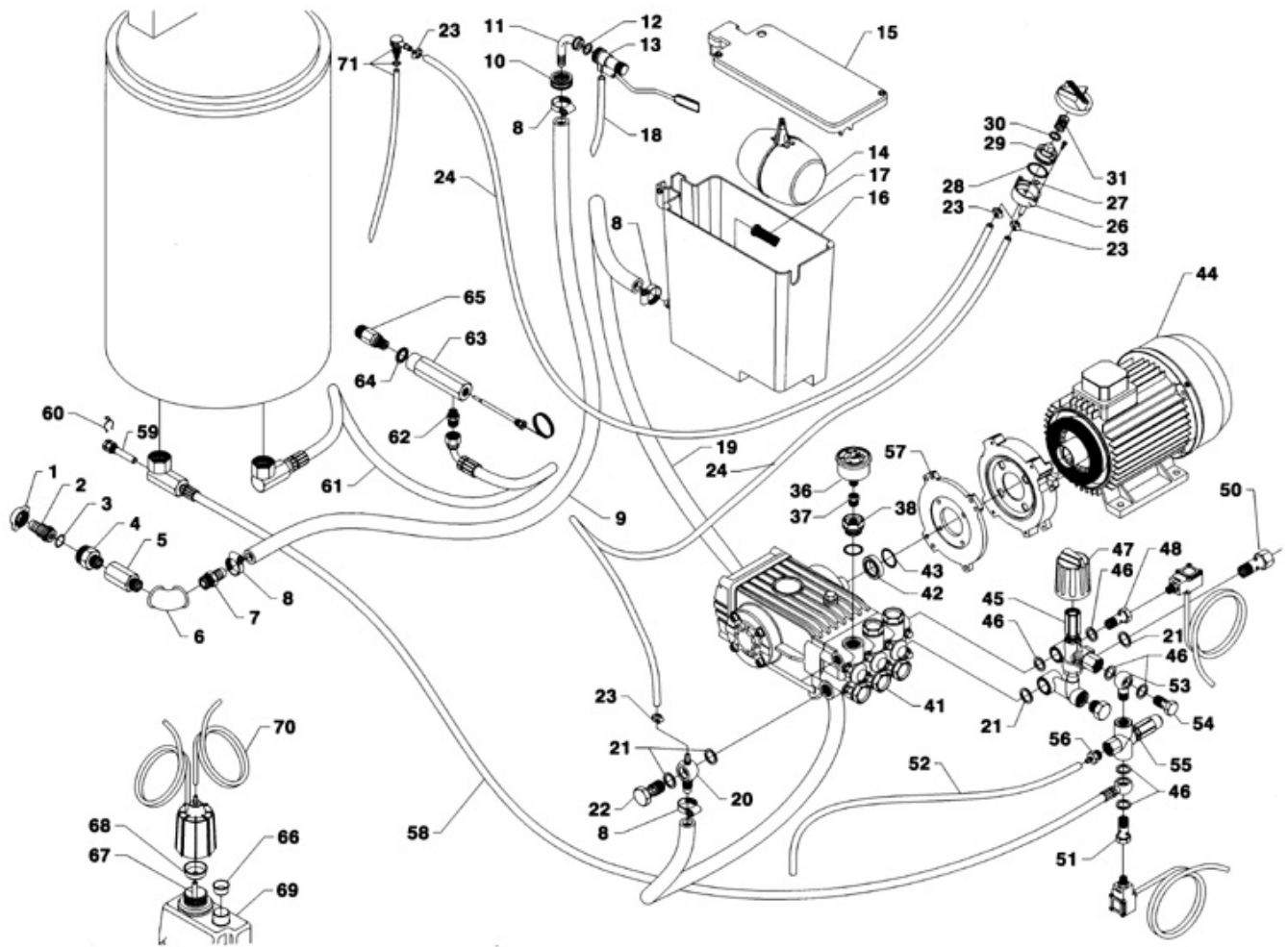
**ICA SOTECO**

**Ref: IDAC46452**

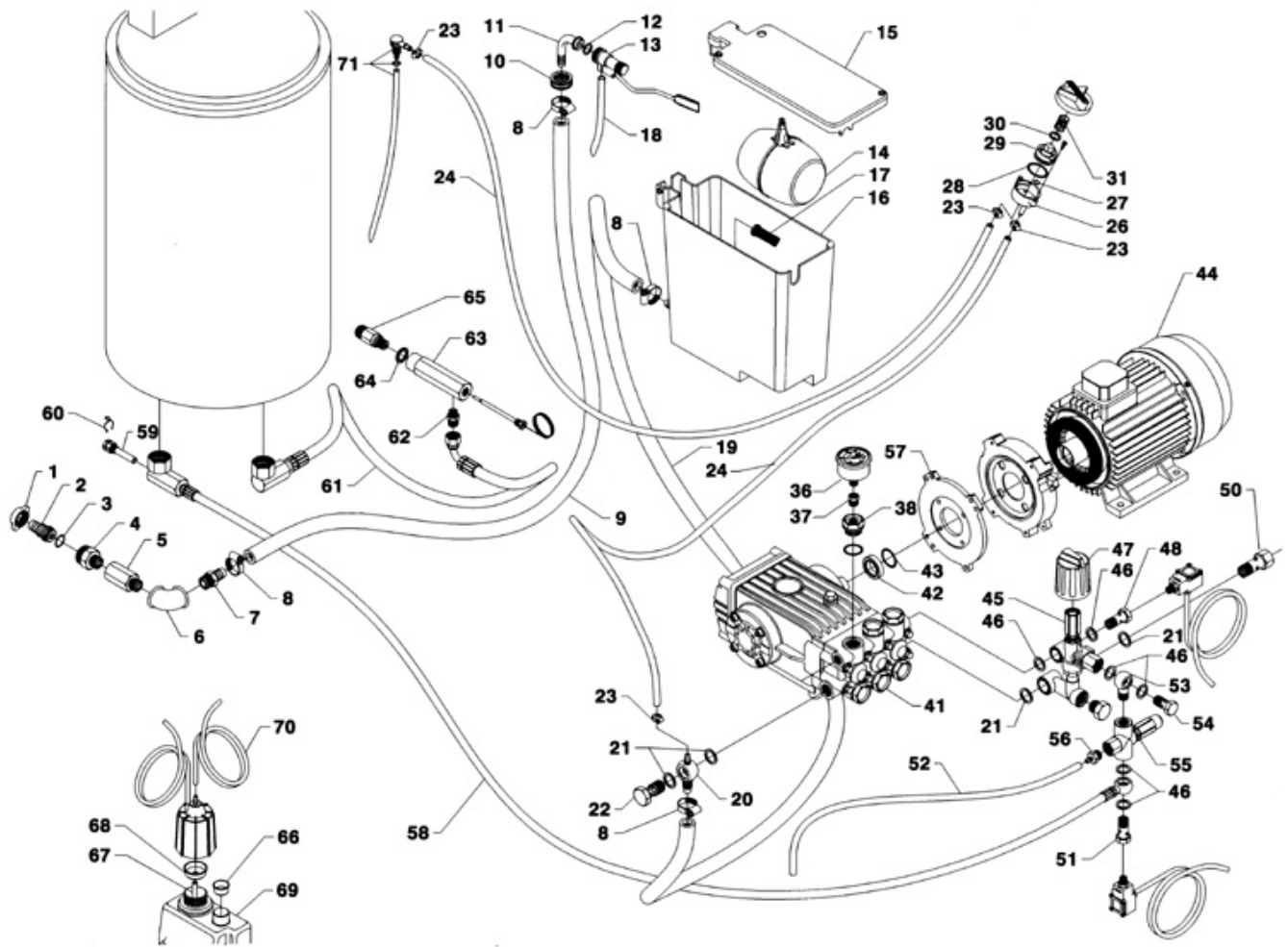
**Model: IDROP GOLDEN JT.DS 2860 T 400/50 3-01PFR**



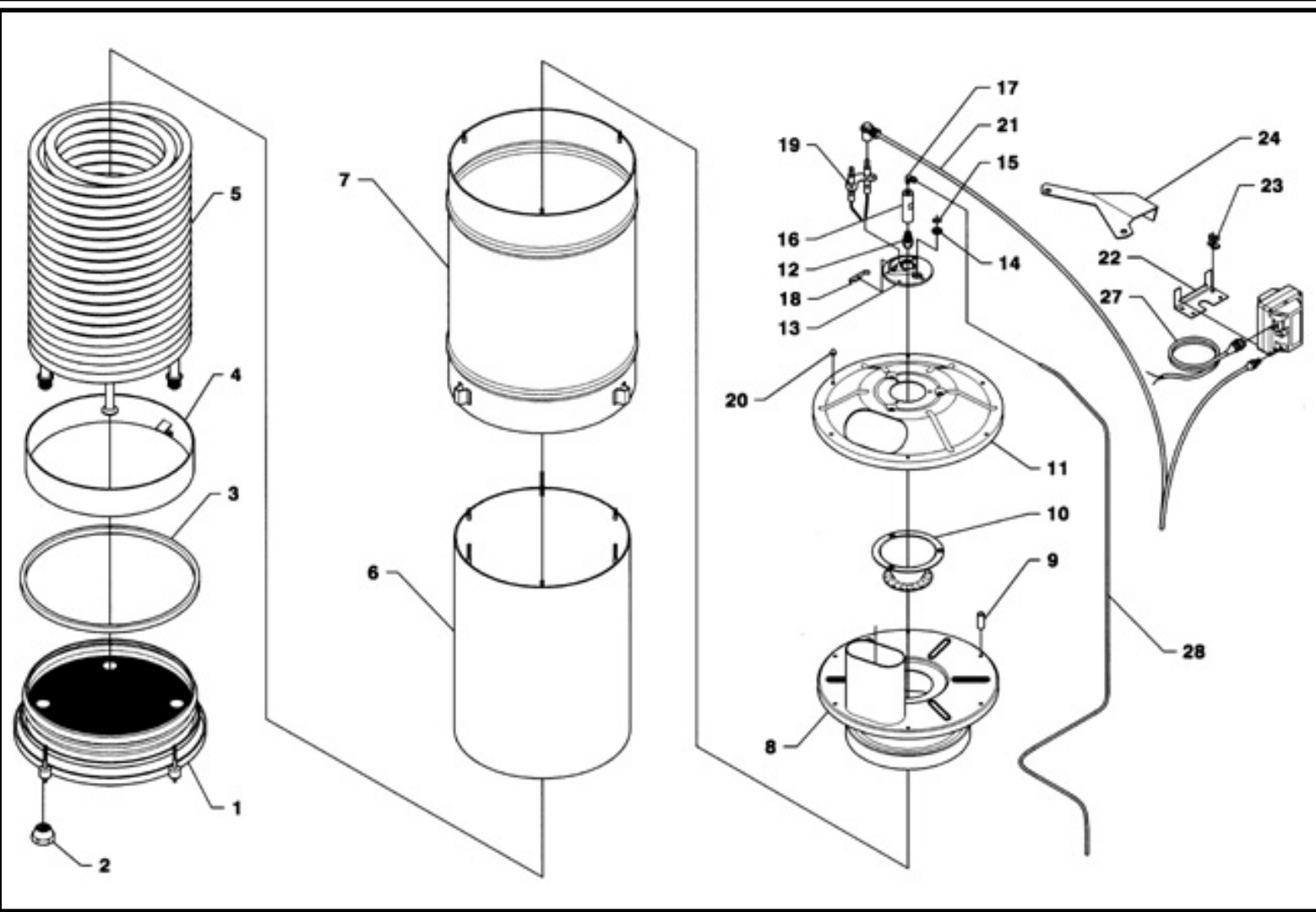
Ref.	K	Part N.	Customer Part N.	Description	Qty	Validity:	
						From	To
0001		MPVR33490		CHARIOT MISTRAL PP	1,00		
0002		MPVR34168		GUICHET MISTRAL PP	1,00	03/2002	
0003		LAFN33489		SUPPORT MST	1,00		
0004		RTRT24320		ROUE D.250-D.25 RT-PRT	2,00		
0005		VTRS09813		RONDELLE D.25	2,00		
0006		MPVR25910		ENJOLIVEUR ROU.D. 250 RT/PRT	2,00	03/2002	
0007		RTRT13708		ROUE PIVOTTANTE D.125 P. MZ.PLS	1,00		
0009		LAFN34637		SUPPORT MST	1,00		
0010		LAFN34052		SUPPORT MST	1,00		
0011		LAFN40508		PLAQUE P.MOTEUR MST S/BLC.	1,00	02/1999	
0013		MPVR33530		RESERVOIR MISTR. PEHD	1,00		
0014		GUGO11489		JOINT D.22X1,5	2,00		
0015		PVVR11806		BOUCHON ECHAPP.FLL	2,00		
0016		LAFN20105		SUPPORT TUYAU KSM	1,00		
0018		MPVR20418		BOUCHON RESERV.KSM	2,00	03/2002	
0019		MPVR33534		SUPPORT BOITE MST PA 66	2,00		
0020		MPVR33248		BOITE CONTROLE MISTRAL PP	1,00		
0021		GUGO11309		JOINT MOUSSE D. 3	1,20		
0022		MPVR33249		COUVERCLE BOITEMISTRAL	1,00		
0023		MPVR33250		COUVERCLE CABLEMISTRAL	1,00		
0025		MPVR33318		COUVERT.ROUGE MISTRAL PP	1,00	03/2002	
0027		MPVR10083		TALON OKA L=22	1,00		
0028		GUGO23079		BAGUE V-SEAL VA0014 13.5- 15.5	1,00		
0029		MPVR20190		POIGNEE GRIS KSM	3,00		
0030		MPVR23484		TALON THERM.KSM TUV	1,00		
0031		GUGO01035		O-RING D. 13.95 X 2.62 NBR 70SH	1,00		
0032		ETET40526		ETICHETTE GLD JT.P. PCV R	1,00		
0040		TBAP25324		TUYAU H.P. R1 MT 10 5/16" IRV - IRV	1,00		
0042		IPPR43065		POIGNEE G 2200 +PR.330 +M22 M	1,00		
0043		LCPR12983		RALLONGE DOUBLEPD 70	1,00		
0044		UGLN00044		BUSE 1/4 2505	2,00		
0045		LAFN35778		ETRIER RESERV. MST INX	1,00		
0047		MPVR20903		BAC KSM	1,00		



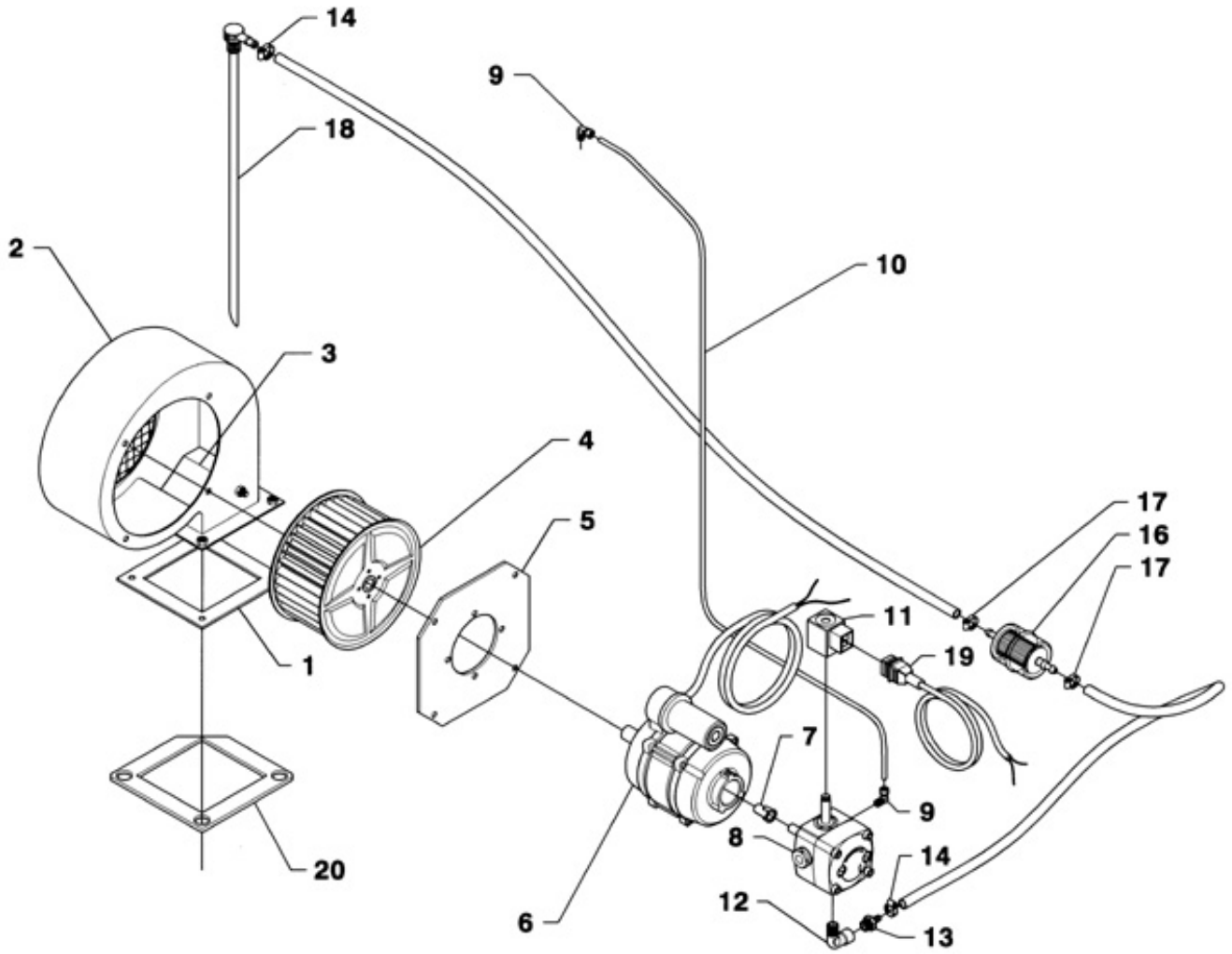
Ref.	K	Part N.	Customer Part N.	Description	Qty	Validity:	
						From	To
0001		RCDS09316		RONDELLE D. 3/4	1,00	03/2002	
0002		RCDS08965		RACC. P. TUYAU OTT.	1,00	03/2002	
0003		GUGO01054		O-RING D. 15.08 X 2.62 NBR 70SH	1,00	03/2002	
0004		RCDS35797		NIPPLE 3/4 - 1/2 OTT MST	1,00		
0005		RCDS17206		MANCHON 1/2 M/F L= 50-65	1,00		
0006		RCVR00578		COUDE 1/2" F	1,00		
0007		RCDS02689		RACC. P. TUYAU 1/2 M D.12-16	1,00		
0008		FSVR00431		COLLIER D. 16-25	3,00		
0009		TBBP00055		TUYAU B.P. D.15-23 10BAR AYTOK.	0,62		
0010		RCDS10356		FRETTE FUT	1,00		
0011		RCDS10357		RACC. P. TUYAU FUT 90°	1,00		
0012		VTRS10642		RONDELLE D.11X22X1.5 FIB	1,00		
0013		RCGR10358		ROBINET UG. D. 7	1,00		
0014		RCGR01387		BILLE PLASTIQUE D.104	1,00		
0015		MPVR10353		COUVERC.RES. FUT PAD	1,00		
0016		MPVR22117		RESERVOIR EAU FUT + F 18LT	1,00		
0017		FTDT21315		FILTRE D.20X45 18LT	1,00		
0018		TBBP17436		TUYAU B.P. D.12-14 RILSAN NT.	0,17		
0019		TBBP15656		TUYAU B.P. D.16-26 20BAR	1,41	02/2001	
0020		RCDS15318		RACCORD O. 1/2 - 9.5-16+5-7	1,00	02/1999	
0021		VTRS12491		RONDELLE 1/2	4,00		
0022		RCDS33982		VIS CREUSE 1/2 C/SC. L=41.5 D.13.5	1,00		
0023		FSVR00427		COLLIER D. 12 CLIC 66-110	2,00	06/2000	
0024		TBBP00051		TUYAU DETERGENT D. 6-12	1,40	12/1999	
0024		TBBP00051		TUYAU DETERGENT D. 6-12	0,45	12/1999	
0026		RCGR08069		CORPS ROBINET DET. PRT	1,00		
0027		GUGO08071		O-RING D. 4.48 X 1.78 NBR 70SH	1,00		
0028		GUGO12183		O-RING D. 23.4 X 3.53 VIT 70SH	1,00		
0029		RCGR08070		REGULATEUR PRT	1,00		
0030		VTRS00542		RONDELLE D.14X20	1,00		
0031		MLML08068		RESSORT D.1,5 L.23	1,00		
0036		MNMN18650		MANOMETRE 0-300 D.40	1,00		
0037		RCVR00644		REDUCTION 1/4-1/8 M/F	1,00		
0038		RCDS09059		BOUCHON M24X2X16 + 1/4F OTT	1,00	02/1999	
0041		PPAP42031		POMPE WS151 DX LT 15 -150B. USA	1,00		
0042		RCDS34756		DOUILLE IP W15 OT	1,00		
0043		GUGO42285		O-RING D. 35 X 2.5 VIT.70SH	1,00	11/1999	
0044		MOTR21305		MOTEUR 3PH HP7.5 230-400/50 - CU. GR	1,00		
0045		VVAZ26760		SOUPAPE VB 7 W151 AC REG.	1,00		09/2002



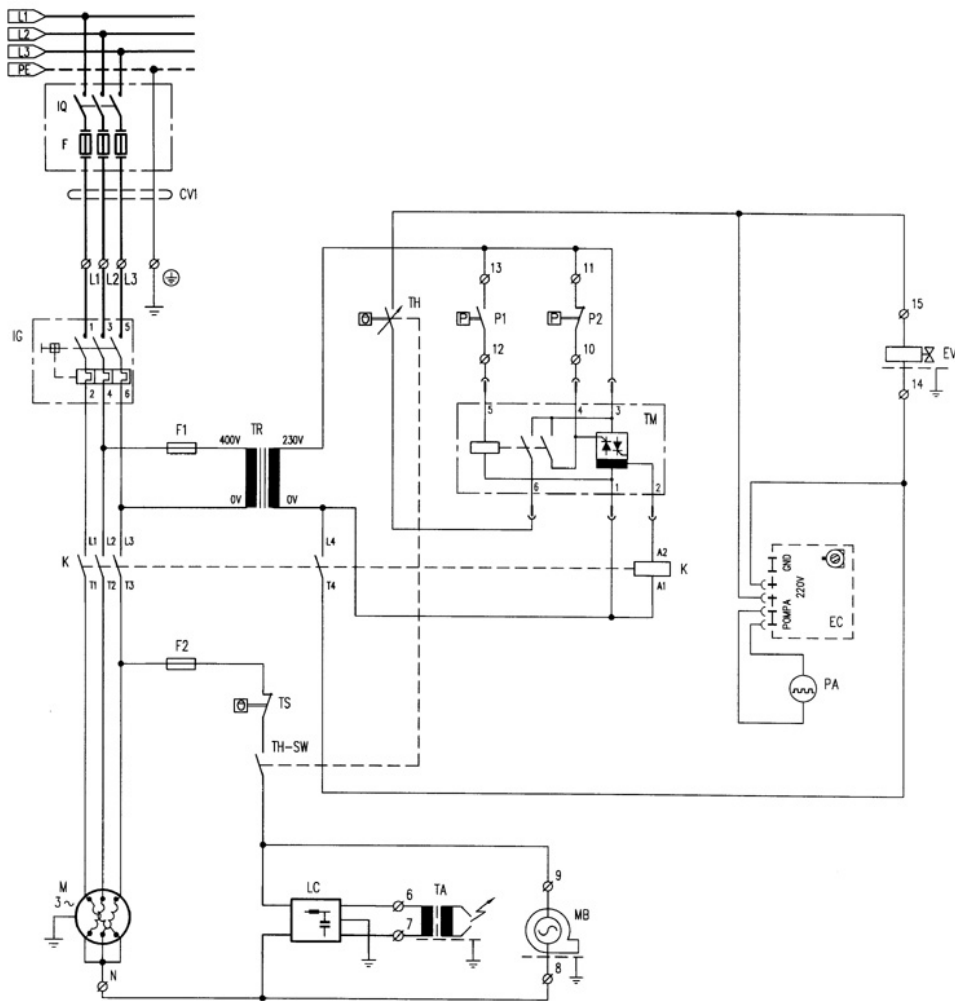
Ref. K	Part N.	Customer Part N.	Description	Qty	Validity:	
					From	To
0045	VVAZ46720		SOUPAPE MV 625 W151 AC S/IN. REG.	1,00	09/2002	
0046	VTRS12492		RONDELLE 3/8	4,00	02/1999	
0047	MPVR09436		POIGNEE NOIRE ST 260	1,00	03/2002	
0048	RCDS40551		VIS CREUSE G 3/8 - 1/8F L=48.5	1,00	02/1999	
0050	RCDS12486		VIS CREUSE G 1/2 L=48.5	1,00		
0051	RCDS07931		VIS CREUSE G 3/8 + 1/4F A.P.	1,00		
0052	TBBP04917		TUYAU B.P. D. 6- 9	0,60		
0053	RCDS15150		RACCORD O. 3/8 - G3/8M L=28.5	1,00		
0054	RCDS01371		VIS CREUSE G 3/8 A.P.	1,00		
0055	VVSC40541		SOUPAPE VS 220 2 G3/8 F	1,00		
0056	RCDS03514		RACC. P. TUYAU 3/8 M D. 5- 7	1,00		
0057	MFVR21735		CONTRE-BRIDE MEC 112 2.V	1,00		
0058	TBAP40552		TUYAU D.JONCT. 3/ 8 R2 L=880 O3/8-1/2PMG	1,00		
0059	RCDS00593		RECUPERATION IM 0-120 L=50	1,00		
0060	MLML02623		RESSORT IMT	1,00		
0061	TBAP33971		TUYAU D.JONCT. 3/ 8 L=270 R2 3/8F -1/2P.	1,00		
0062	RCDS34050		NIPPLE 3/8-14X1.5 L=61	1,00		
0063	RCDS34048		CORPS BLOC 3/8F MST	1,00		
0064	VTRS22537		RONDELLE D. 16	1,00		
0065	RCDS13012		NIPPLE M22-3/8 D. 7.5	1,00		
0068	MPVR20904		BOUCHON KSM	1,00	03/2002	
0070	TBBP00058		TUYAU B.P. D. 4- 6	1,10	03/2002	
0071	RCDS20136		TIRANT L= 355 C.	2,00		



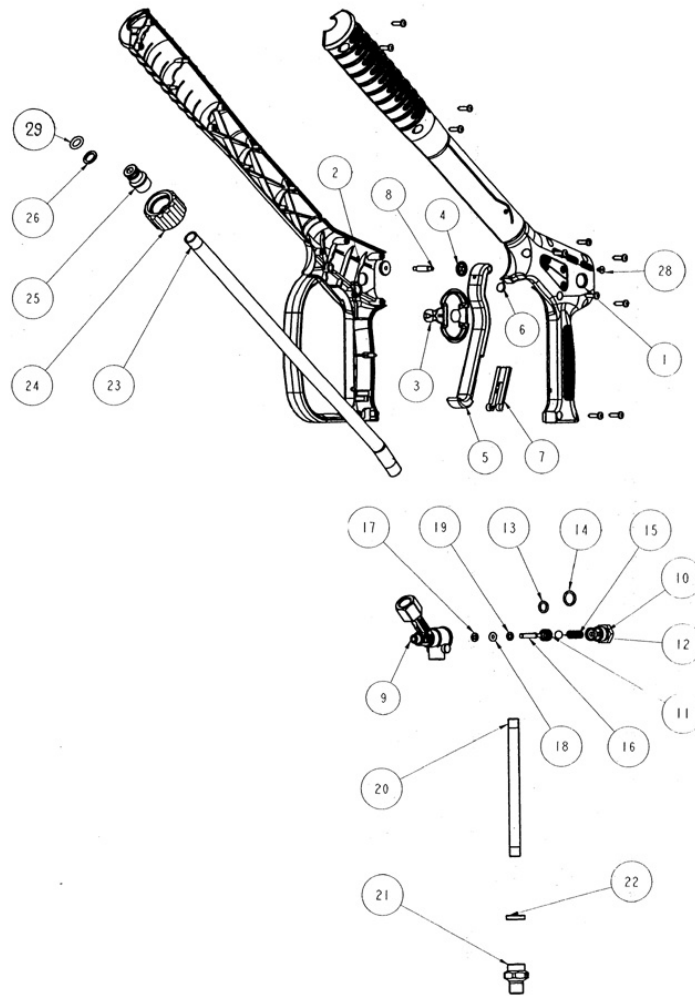
Ref. K	Part N.	Customer Part N.	Description	Qty	Validity:	
					From	To
0001	LAFN12715		FOND CHAUDIERE FUT	1,00		
0002	RCDS00561		FRETTE 1/2 OTT	2,00		
0003	GUVR35205		JOINT D. 7 FIB.	1,02	02/1996	
0004	LAFN11708		CALE FUT	1,00		
0005	LAFN11724		SERPENTIN DOUB.3/8 FLL 24M	1,00		
0006	LAFN07969		CYLINDRE INT. FUT INX	1,00		
0007	LAFN07674		CYLINDRE EXT. FUT INX	1,00		
0008	LAFN42581		COUVERCLE CHAUDMST INX	1,00	07/2000	
0009	LAFN09096		ENTRETOISE 10X28,5	3,00		
0010	LAFN08042		DEFLECTEUR FUT	1,00		
0011	LAFN07676		COUVERCLE CHAUDFUT INX	1,00		
0012	UGBR22576		GIGLEUR BRULEUR1.35 60 S	1,00		
0013	MFVR18226		PORTE-ELECTRODEFUT 3°V	1,00		
0014	MPVR18228		TEMOIN HUILE D.17 X3	1,00		
0015	VTAE22633		SEEGER 0.4 X18,30X10,5	1,00		
0016	RCDS07642		PORTE BUSE FUT	1,00		
0017	RCVR08954		COUDE 1/8"-4 B5	1,00		
0018	LAFN07641		PLAQUETTE INX	1,00		
0019	MECA12525		ELECTRODE FUT	1,00		
0020	VTDD05907		ECROU M 6 CIE.	6,00		
0021	MECV35334		CABLE A.T. 9,8-23KOHM/M L= 400P	2,00	07/1999	
0022	LAFN33974		ETRIER SUPPORT MST	1,00		
0023	MEVR15389		AGRAFE F-0201	1,00		
0024	LAFN34806		BRIDE MST 30MT	1,00		
0027	MECB34463		CABLE BT L=800 SP.	1,00		



Ref. K	Part N.	Customer Part N.	Description	Qty	Validity:	
					From	To
0001	GUGO11214		JOINT FLL	1,00		
0002	LAFN33967		VIS SANS FIN CB4 -MST	1,00		
0003	LAFN11160		PAPILLONFLUEGELFLL	1,00		
0004	VEVR34275		HELICE D.160-80 D.12.7 36P B.SX	1,00		
0005	LAFN10272		PLAQUE P.MOTEURCB 3	1,00	04/2000	
0006	MOMB34119		MOTEUR BRULEUR 230-50 IP44 150W A.OR	1,00		
0008	PPGS40117		POMPE FUEL DLT VM1LR15	1,00	09/1998	
0010	TBCO33977		TUYAU GASOIL MST 30MT D. 4	1,00		
0012	RCVR00573		COUDE 1/4" M/F A10	1,00		
0013	RCDS00626		RACC. P. TUYAU 1/4 M D. 5- 7	1,00		
0015	TBCO06945		TUYAU B.P. D. 6-12 10BAR	1,35		
0015	TBCO06945		TUYAU B.P. D. 6-12 10BAR	0,17		
0016	FTCO34840		FILTRE FUEL FB 1	1,00		
0017	FSVR11197		COLLIER D.I. 11 13315	2,00		
0019	MECB18118		CABLE DLT L=1.600	1,00		
0020	LAFN40224		PLAQUE MST	1,00		

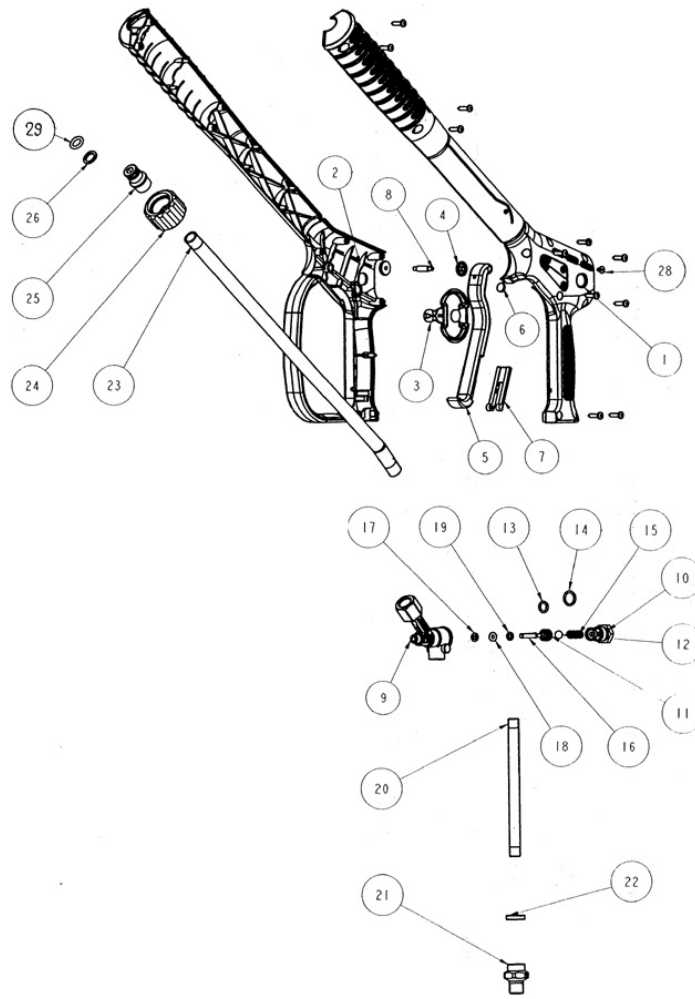


Ref.	K	Part N.	Customer Part N.	Description	Qty	Validity:	
						From	To
K		METT42873		TELERUPTEUR SIE 3RT 1017 1AN21 220V	1,00		
EC		MECE21631		PLATINE D.NM1 220V	1,00		
EV		MEBE18120		BOBINE DLT 220-50 S/CV.	1,00		
F1		MEVR09010		FUSIBLE 5X20 0,5A	1,00		
F2		MEVR00237		FUSIBLE 5X20 3,15A	1,00		
IG		MECI08294		INTERRUPTEUR O.K.N. 10-16 A	1,00		
LC		MECE34831		FILTRE LC F.AH.DA.3100ZF 6.5A	1,00		
P1		MEPF39741		PRESSOSTAT MTM 1/8M NA/NC 25B. MICRO	1,00		
P2		MEPF39902		PRESSOSTAT MTM 1/4M NA/NC 25B. MICRO	1,00		
PA		MEPD22718		POMPE DOSEUSE NM1 220V RSN	1,00		
TA		METR34464		TRANSFORMATEUR 230V-50HZ 2X4000V SP4 CM	1,00	09/1996	
TH		METK33752		THERMOSTAT 30-150°C TR/711-N+ BS75	1,00		
TM		METY42780		MINUTEUR THV/2+RL.15-250V 5/60 30S	1,00		
TR		METR43881		TRANSFORMATEUR 35VA 400/230V 50/60HZ	1,00		
TS		METK34839		THERMOSTAT 50°C TR/711-N C.1.5	1,00		
CV1		MECB17414		CABLE H07 RNF 4X2.5 L=6.500	1,00	01/1999	

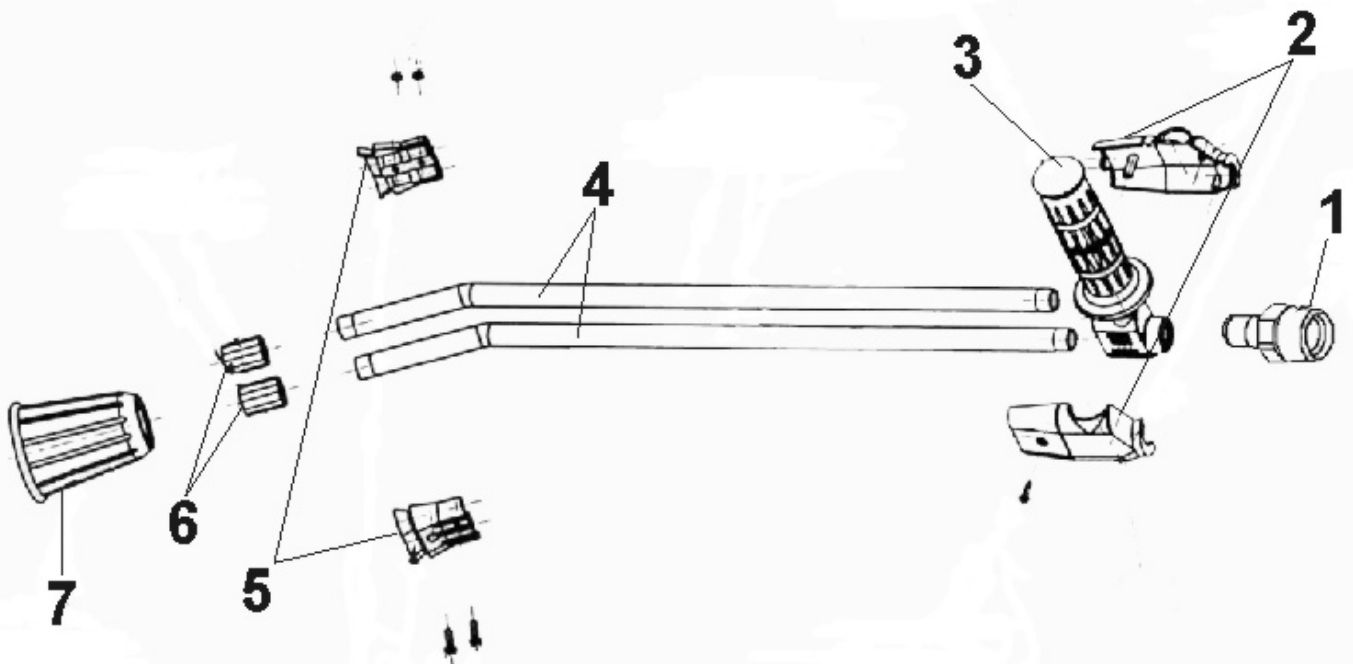


Ref. K	Part N.	Customer Part N.	Description	Qty	Validity:	
					From	To
0001	MPVR43269		DEMI-COQUE G2200 SX PRT	1,00		
0002	MPVR43268		DEMI-COQUE G2200 DX PRT	1,00		
0003	MPVR43270		BOUCHON G2200	1,00		
0004	VTRS41562		RONDELLE AURA 200	2,00		
0005	MPVR41568		GACHETTE AURA 200	1,00		
0006	PVVR41567		CLIQUET AURA 200 INX	1,00		
0007	MPVR41569		DISP.D.SECURITEAURA 200	1,00		
0008	VTVR41566		GOUPILLE AURA 200	1,00		
0009	PVVR41559		CORPS PISTOLET AURA G1/4 L.18	1,00		
0010	E PVVR43275		BOUCHON M14X1 AURA 200 2.V	1,00		
0011	E PVVR43274		SIEGE BILLE AURA 200 2.V	1,00		
0012	E SFVR12904		BILLE D. 9/32 W1 INX	1,00		
0013	E GUGO63426		O-RING D. 7.66 X 1.78 NBR 90SH	1,00		
0014	E GUGO19194		O-RING D. 11.11 X 1.78 NBR 70SH	1,00		
0015	E MLML41571		RESSORT D. 7 X21 D.1.2	1,00		
0016	S PVVR43264		PETIT PISTON AURA 200 INX L=30 2V.	1,00		
0017	S GUVR41557		BAGUE ANTIEXTR.D. 4 X 7.8X1.2	1,00		
0018	S GUGO01201		O-RING D. 3.6 X 2.4 -NBR 70SH	1,00		
0019	S VTRS43265		RONDELLE OT AURA	1,00		
0020	PVVR43272		TUYAU G 1/8" M/M L.133	1,00		
0021	RCIN41561		RACCORD MALE M 22 -1/8F	1,00		
0022	MPVR43271		RONDELLE 1/8" G2200	1,00		
0023	LCPR43273		TUYAU 1/4 L=384 0° 1/4 M-M INX	1,00		
0024	PVVR43276		RONDELLE M22X1,5 IRV	1,00		
0025	RCIN43267		CHEVILLE-GOUJONG 1/4 F IRV	1,00		
0026	GUVR43266		BAGUE ANTIEXTR.SR 110	1,00		
0028	PVVR42233		BOUCHON D. 3 PLS GRN.	1,00		
0029	GUGO28927		O-RING D. 9.13 X 2.62 NBR 70SH	1,00		

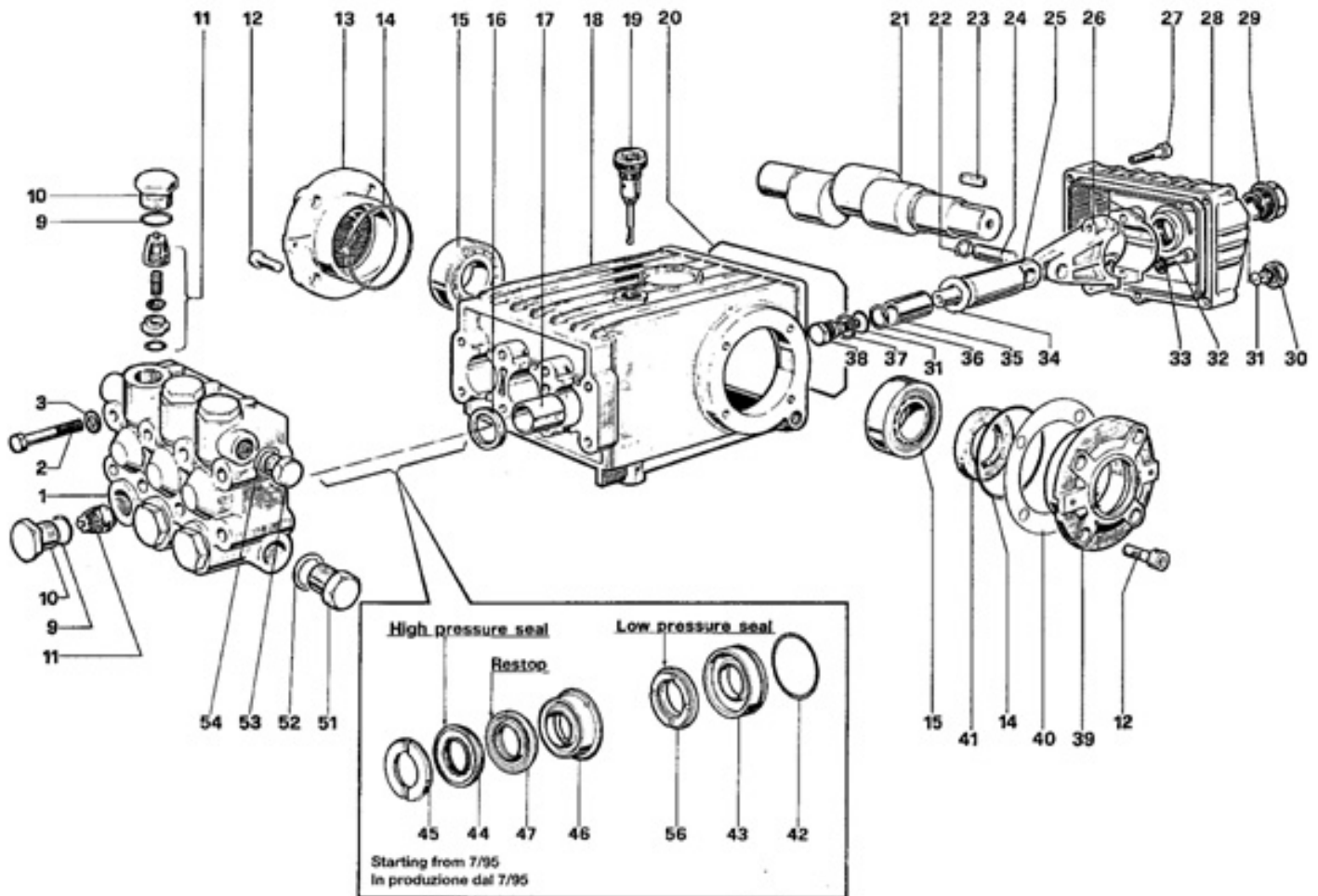




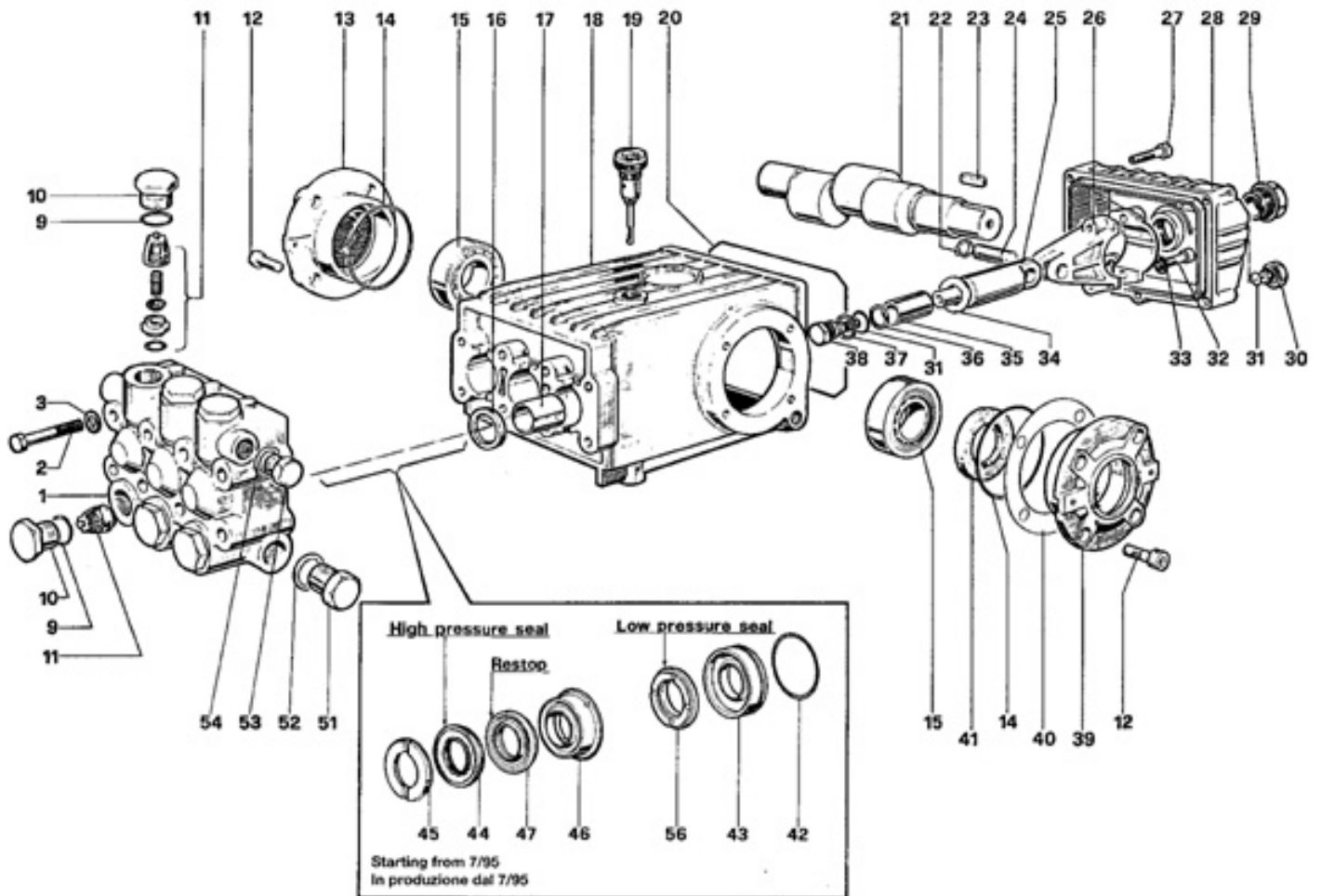
Ref. Part N.	Cust. Part N.	Description	Reference
KTRI40835	KIT P	26- 15 AURA 200	0011 0012 0013 0014 0015 0016 0017 0018 0019
KTRI47792	KIT P	26- 20 AURA 200	0010 0011 0012 0013 0014 0015



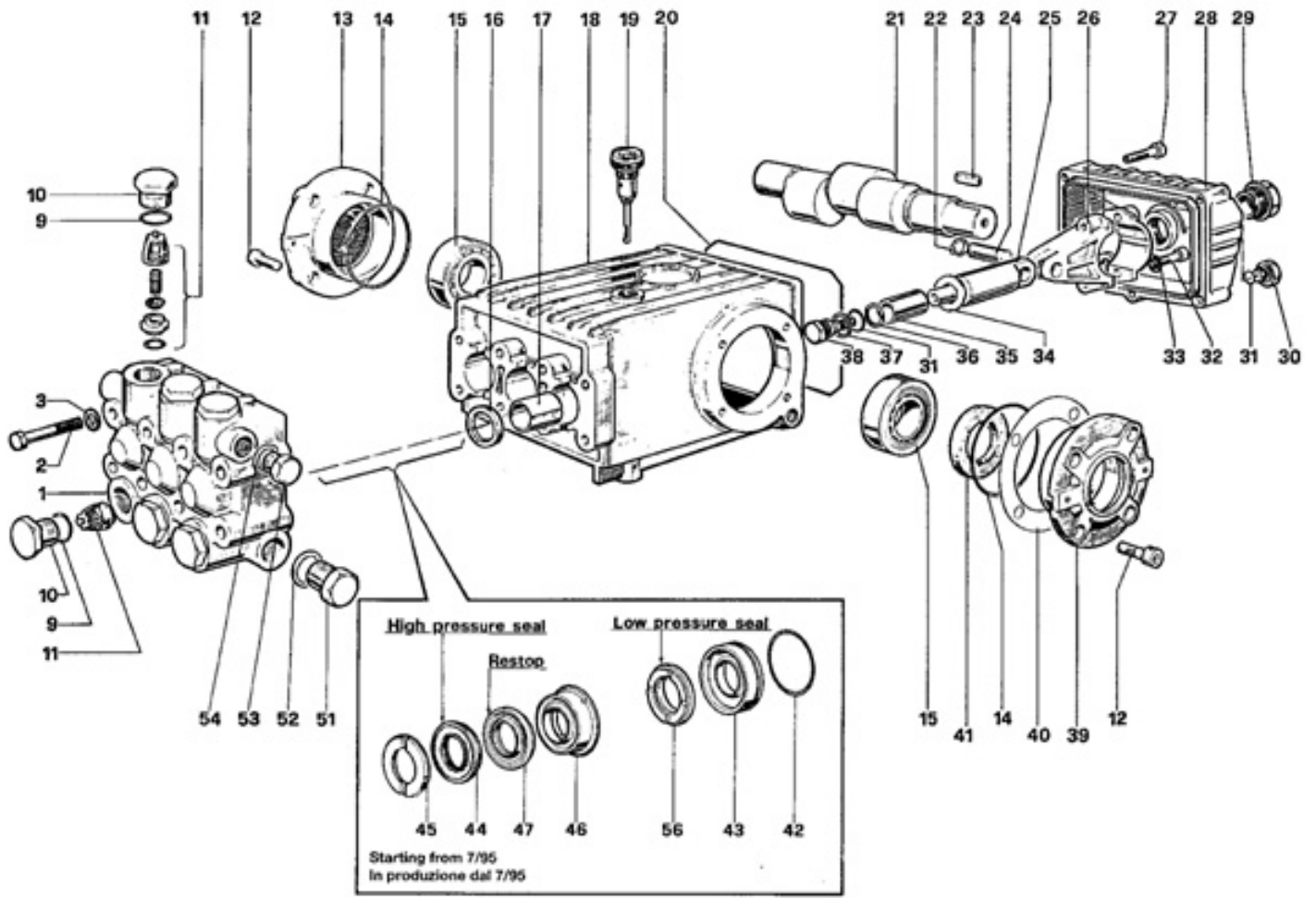
Ref. K	Part N.	Customer Part N.	Description	Qty	Validity:	
					From	To
0001	PVVR45296		RACCORD G 1/4M -M22 M	1,00		
0002	MPVR45214		PROTECTION TB.1/4 MTM	1,00		
0003	RCGR45737		ROBINET 1/4 F LD MTM	1,00		
0004	LCPR45740		TUYAU 1/8 L=660 INOX MTM	2,00		
0005	MPVR45001		COQUILLE LD MTM	1,00		
0006	RCVR45741		PORTE BUSE 1/4-1/8 F MTM	2,00		
0007	PVVR43810		PROTECTION L.D. MTM	1,00		



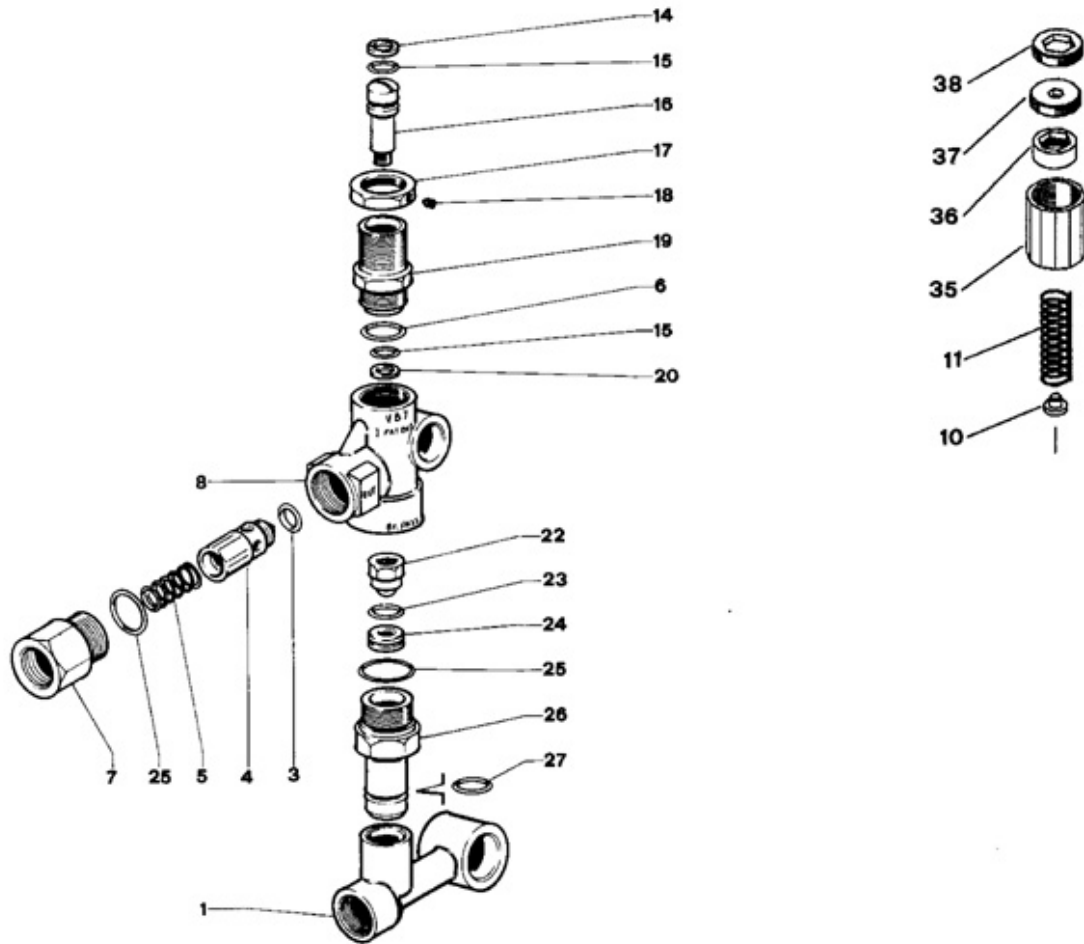
Ref.	K	Part N.	Customer Part N.	Description	Qty	Validity:	
						From	To
0001		MFVR01097		CULASSE W 151	1,00		
0002		VTVT01111		VIS TE M 8X70 UNI 5737	8,00		
0003		VTRS01072		RONDELLE D. 8 TC	8,00		
0009	S	GUGO01033		O-RING D. 20.24 X 2.62 NBR 90SH	6,00		
0010	S	RCDS01087		BOUCHON M24X2X16 OTT	6,00		
0011	S	VVAM01104		ENSEMBL. CLAPETW 70-151	6,00		
0012		VTVT01118		VIS TCEI 8X16	8,00		
0013		MFVR03576		COUVERCLE CART.W151	1,00		
0014		GUGO01041		O-RING D. 67.95 X 2.62 NBR 70SH	2,00		
0015		CUVR09205		ROULEM.A ROUL. 32206 A	2,00		
0016	S	GUGO01000		JOINT SPI 22X 32X 5.5 NBR70	3,00		
0017		PVVR01011		DOUILLE W 151	3,00		
0018		MFVR01013		CARTER POMPE W 151	1,00		
0019		PVVR01092		JAUGE D'HUILE W 151	1,00		
0020		GUGO34590		O-RING D. 133.02 X 2.62 NBR 70SH	1,00		
0021		ALMO41530		ARBRE TS 1511 USA	1,00		
0022		VTAE14016		BAGUE D'ARRET D. 12 UNI 7435	6,00		
0023		VTVR41531		CLAVETTE 8X 7X35 UNI 6604A	1,00		
0024		PVVR01085		CHEVILLE-GOUJOND.13X35 W151	3,00		
0025		PVVR01029		TIGE DE PISTON W 151	3,00		
0026		BLVR01009		BIELLE W 151	3,00		
0027		VTVT01116		VIS TCEI 6X30 UNI5931	5,00		
0028		MFVR03582		COUVERCLE CART.W 151 POS	1,00		
0029		PVVR01083		VOYANT HUILE G 3/4 W70-151	1,00		
0030		RCDS01088		BOUCHON 1/4X 9 M WW90	1,00		
0031	S	GUGO01036		O-RING D. 10.82 X 1.78 NBR 70SH	4,00		
0032		VTVT01120		VIS TCEI 8X35 UNI5931	6,00		
0033		VTRS14242		RONDELLE D. 8.4X13X0.8 UNI7064 SCH	6,00		
0034	S	VTRS01753		RONDELLE D.14X28 X0,5	3,00		
0035		PIVR01066		PISTON D.20X50 W 151	3,00		
0036	S	GUVR00994		BAGUE ANTIEXTR.W151	3,00		
0037	S	VTRS01076		RONDELLE D.14X18,5X0,5	3,00		
0038	S	PVVR01107		VIS PISTON IP W151	3,00		
0039		MFVR03583		COUVERCLE CART.W151	1,00		
0040		PVVR01016		EPAISSEUR 0,1 W 151	2,00		
0041	S	GUGO01003		JOINT SPI 30X 55X 7 NBR70	1,00		
0042	S	GUGO01042		O-RING D. 34.6 X 1.78 NBR 70SH	3,00		
0043	S	PVVR00977		BAGUE P.GARNIT.W151	3,00		
0044	S	GUVR00981		BAGUE D'ETANCH.W151	3,00		



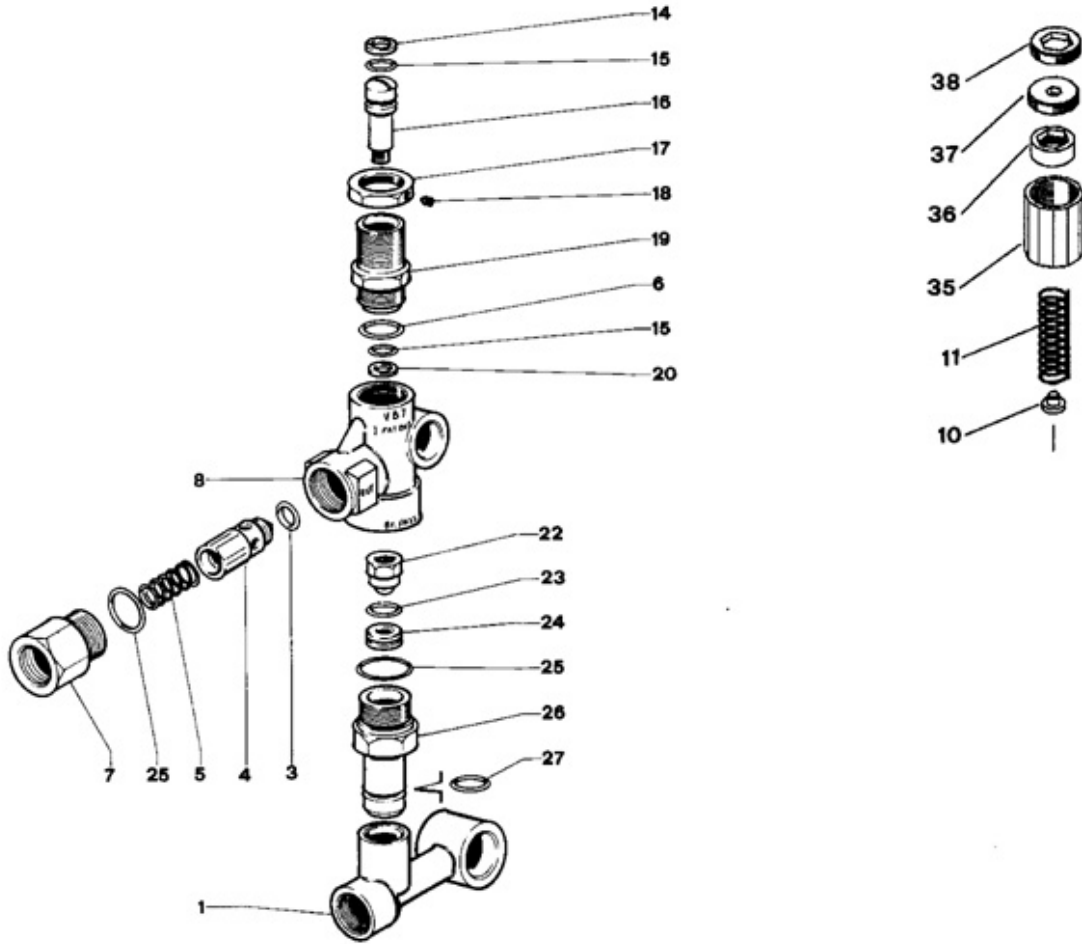
Ref.	K	Part N.	Customer Part N.	Description	Qty	Validity:	
						From	To
0045	S	PVVR00985		BAGUE DE TETE W151	3,00		
0046	S	PVVR34589		BAGUE INTERMED.W 151 D. 20	3,00		
0047	S	GUVR34587		BAGUE D'ETANCH.D. 20 RESTOP	3,00		
0051		RCDS01091		BOUCHON 1/2X10 M	1,00		
0052		VTRS01075		RONDELLE D.21,5X27 ALL	1,00		
0053		RCDS01090		BOUCHON 3/8X13 M WW90	1,00		
0054		VTRS01074		RONDELLE D.17,5X23 X1,5	1,00		
0056	S	GUVR34585		BAGUE D'ETANCH.W 151 L.P.	3,00		



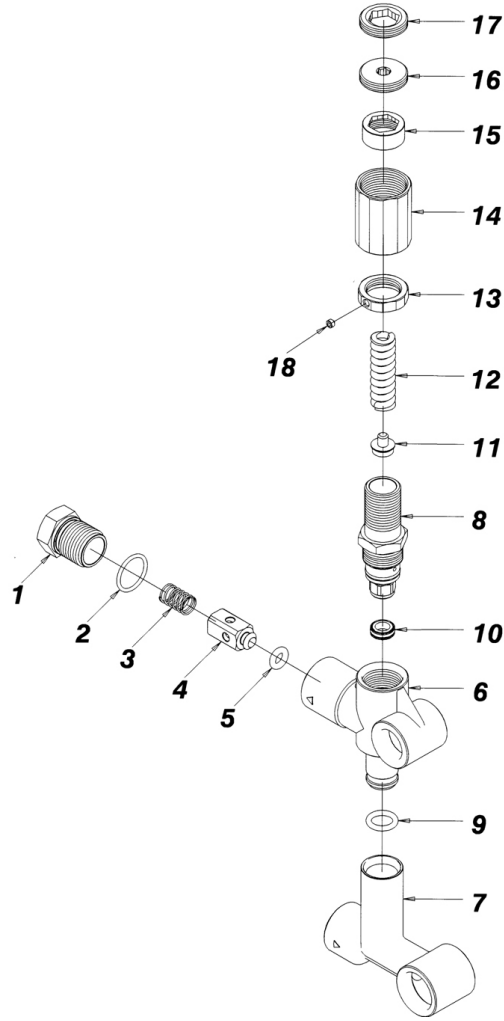
Ref. Part N.	Cust. Part N.	Description	Reference
KTRI14900	KIT P	3	0041
KTRI14901	KIT P	10	0042 0043
KTRI17793	KIT P	6	0031 0034 0036 0037 0038
KTRI17795	KIT P	4	0009 0010
KTRI17859	KIT P	1	0011
KTRI17860	KIT P	2	0016
KTRI18574	KIT P	7	0045
KTRI18579	KIT P	28	0042 0043 0044 0045 0046 0047 0056



Ref.	K	Part N.	Customer Part N.	Description	Qty	Validity:	
						From	To
0001		PVVR24912		CONNECTEUR G1/2 VB 7	1,00		
0003	S	GUGO06824		O-RING D. 6 X 3 NBR 70SH	1,00		
0004		PVVR29750		AIGUILLE VB 7 2V.	1,00		
0005		MLML29751		RESSORT VB 7	1,00		
0006	S	GUGO24913		O-RING D. 17.17 X 1.78 NBR 90SH	1,00		
0007		PVVR29752		RACCORD VB 7 3/8F 2V.	1,00		
0008		PVVR29753		CORPS VALVE VB 7 2V.	1,00		
0010		PVVR21510		SUPPORT AISI 430	1,00		
0011		MLML10727		RESSORT D. 3	1,00		
0014	S	GUVR24920		BAGUE ANTIEXTR.D. 11 X 6.4	1,00		
0015	S	GUGO24916		O-RING D. 6.02 X 2.62 NBR 90SH	2,00		
0016		PVVR24917		PETIT PISTON VB 7	1,00		
0017		PVVR12471		FRETTE VPO	1,00		
0018		VTVT24918		VIS EI-ST 4X 4 UNI5927	1,00		
0019		PVVR38740		RACCORD VB7-RG.	1,00		
0020	S	PVVR24921		OBTURATEUR M6 INX	1,00		
0022	S	PVVR24921		OBTURATEUR M6 INX	1,00		
0023	S	GUGO24922		O-RING D. 11.11 X 1.78 NBR 90SH	1,00		
0024	S	PVVR24923		SIEGE BILLE D. 8.5 + O-RING	1,00		
0025	S	GUGO24924		O-RING D. 18.77 X 1.78 NBR 90SH	2,00		
0026		PVVR24926		RACCORD VB 7 L=24	1,00		
0027		GUGO12714		O-RING D. 10.3 X 2.4 VIT 70SH	1,00		
0035		PVVR38736		CAPUCHON VB7-RG.	1,00		
0036		PVVR38739		FRETTE VB7-RG.	1,00		
0037		PVVR38738		REGLEUR VB7-RG.	1,00		
0038		PVVR38737		BLOPAGE VB7-RG.	1,00		



Ref. Part N.	Cust. Part N.	Description	Reference
KTRI26772	KIT P	14- 35	0003 0006 0014 0015 0020 0022 0023 0024 0025



Ref. K	Part N.	Customer Part N.	Description	Qty	Validity:	
					From	To
0001	PVVR47977		RACCORD MV625 G 3/8F	1,00		
0002	GUGO01058		O-RING D. 17.17 X 1.78 NBR 70SH	1,00		
0003	MLML47978		RESSORT MV 625	1,00		
0004	PVVR47979		AIGUILLE MV 625	1,00		
0005	GUGO46053		O-RING D. 6 X 3 NBR 90SH	1,00		
0006	PVVR47980		CORPS VALVE MV 625	1,00		
0007	PVVR47997		RACCORD MV 625 H.73	1,00		
0008	PVVR47988		RACCORD MV 625 REG.	1,00		
0009	GUGO11225		O-RING D. 10.78 X 2.62 NBR 70SH	1,00		
0010	PVVR47985		SIEGE SOUPAPE MV 625 + O-RING	1,00		
0011	PVVR47986		COUPELLE RESS. MV 625	1,00		
0012	MLML47987		RESSORT D. 3.25X41.1 MV 625	1,00		
0013	PVVR47984		FRETTE MV 625	1,00		
0014	PVVR47989		CAPUCHON MV 625 REG.	1,00		
0015	PVVR47990		FRETTE MV 625 REG.	1,00		
0016	PVVR47991		REGLEUR MV 625 REG.	1,00		
0017	PVVR47992		BLOCAGE MV 625 REG.	1,00		
0018	VTVT24918		VIS EI-ST 4X 4 UNI5927	1,00		