

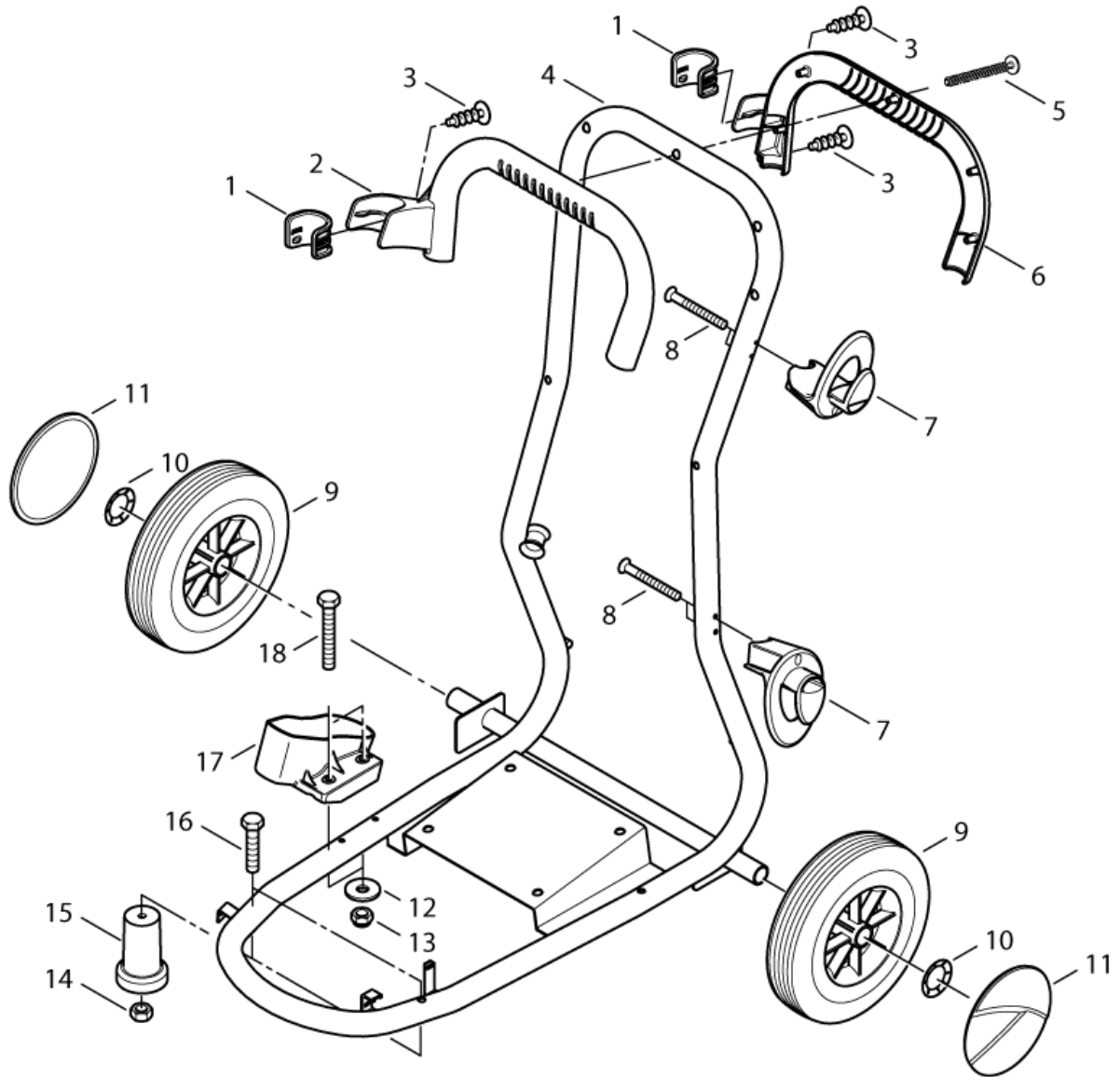
PARTS LIST



2017.07.14

TABLE OF CONTENTS

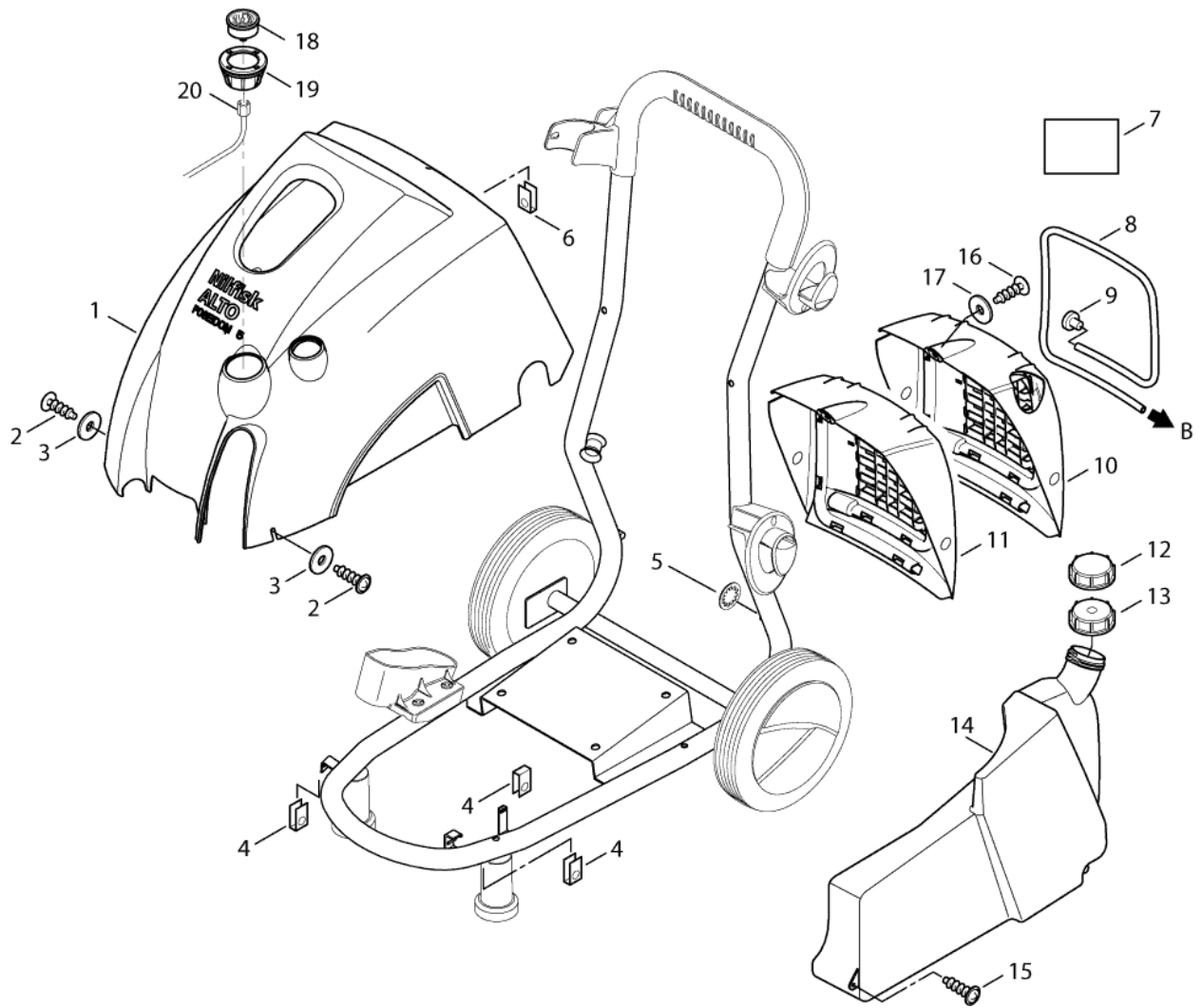
Frame	1
Cabinet.....	3
Schaltkasten.....	5
Motor.....	9
Regelsicherheitsblock.....	12
Cylinder block.....	14
Schlauchtrommel POSEIDON 5.....	16
Default accessories.....	18
Recommended spare parts.....	20



Pos.	Artikel-Nr.	Menge	Variante	Notes
01	101117995	2	Insert for Handle	
02	101117962	1	Griffschale	
03	909100147	3	Ejotschraube K40x12 WN 1	
04	301002896	1	Grundrahmen Poseidon 5	[1]
05	909100187	5	Ejotschraube K40x25 T20	
06	101117963	1	Griffschale	
07	301000808	2	Halter	
08	909100149	4	Ejotschraube K50x50 WN 14	
09	301000989	2	Rad	
10	1813799	2	Federtellerscheibe	
11	301001076	2	Radkappe 180	
12	2766	2	Scheibe 6,4x1,6 A ISO 7093-1 zn	
13	11619	2	Sechskantmutter M6 ISO7042 A2K	
14	61467	2	Sechskantmutter M8 TENS	
15	301000979	2	Stützfuß	
16	2756	2	Sechskantschraube M8x45	
17	301000774	1	Köcher	
18	17749	2	Sechskantschraube M6x45	

Part Notes:

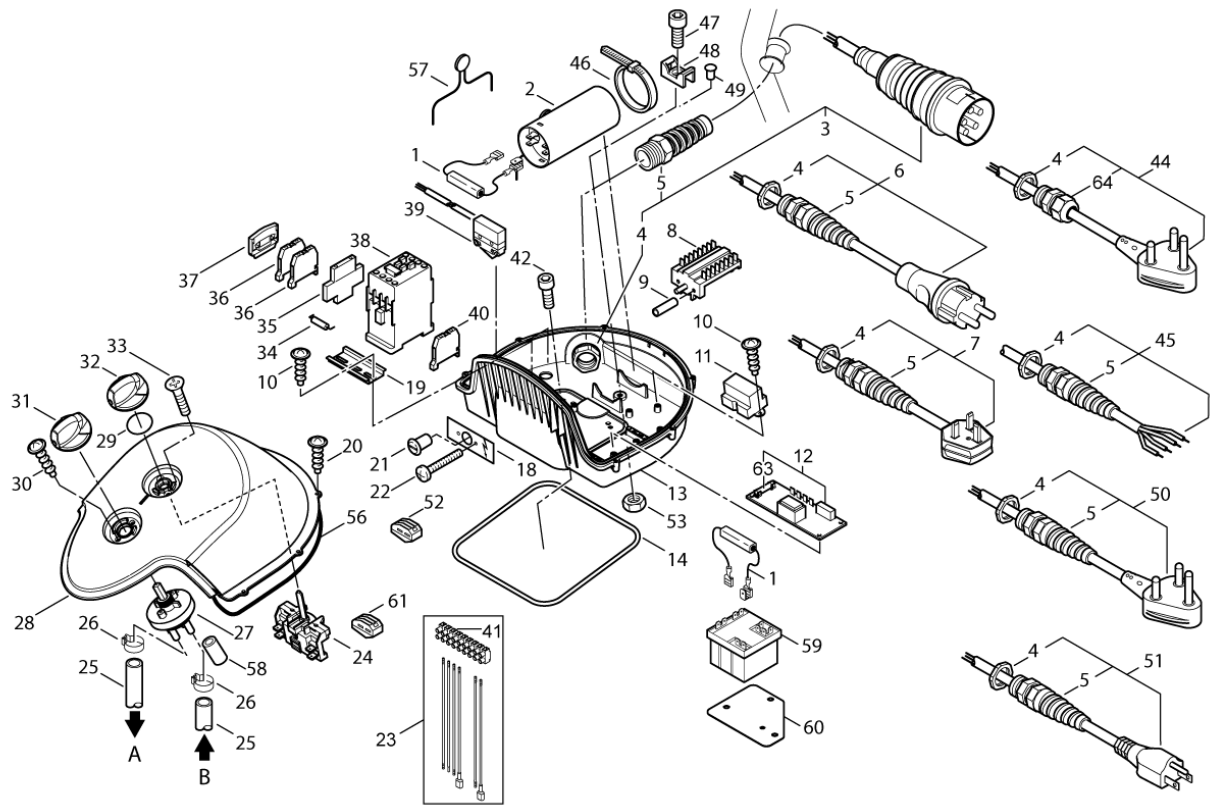
[1] - STOCK COVERS GUARANTEE



Pos.	Artikel-Nr.	Menge	Variante	Notes
01	301003166	1	Haube POSEIDON 5	[1]
02	40107	2	Blechschraube 4,8x13	
03	2763	2	Scheibe 5,3x1,0 ISO 7089 zn	
04	63946	3	Federmutter 4,8x3	
05	5639	1	CLAMPING RING 10X2	
06	909100161	1	Federmutter 3,9x2,5	[2]
07	48083	1	Klebeschild HD-Strahl	
08	106408243	1	HOSE 1/4INCH TRANSPARENT - 5 METERS	
09	6400240	1	Saugkorb	
10	301000759	1	Deckel PP	[3]
11	301000838	1	Abdeckung hinten	[4]
12	80493	1	Deckel	
13	107140889	1	Verschlussdeckel D10	
14	301002931	1	Reinigungsmittel-Tank	[1]
15	40107	1	Blechschraube 4,8x13	
16	30776	1	Blechschraube 3,9x16 C-H	
17	24353	1	Scheibe 4,3x1,0 A ISO 7093-1 A2	
18	6528559	1	Manometer	[5]
19	101117690	1	Haltering	[1]
20	107144028	1	Manometerrohr, kpl., für	[2]

Part Notes:

- [1] - STOCK COVERS GUARANTEE
- [2] - USED IN PRODUCTION
- [3] - ON MODELS WITH HOSE REEL
STOCK COVERS GUARANTEE
- [4] - ON MODELS WITHOUT HOSE REEL
- [5] - EXTERNAL VENDOR



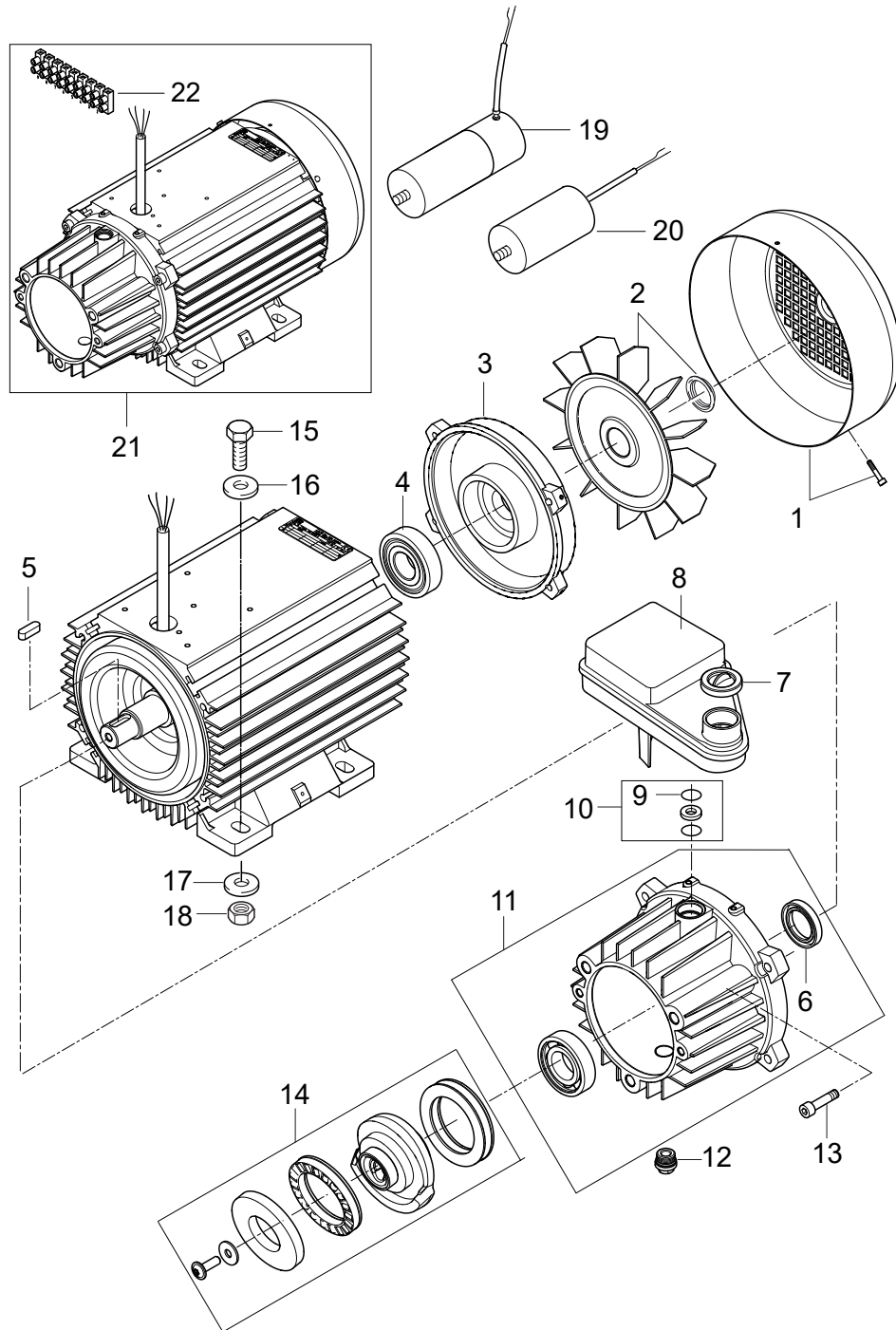
Pos.	Artikel-Nr.	Menge	Variante	Notes
1	301000402	1	Widerstand 15 kΩ	[1]
2	301001056	1	Kondensator 98 µF	[1]
3	301000834	1	Anschlussleitung Europa	[2]
4	909100020	1	Sechskantmutter M25x1,5 EN 50262 PA	[3]
4	909100019	1	Sechskantmutter M20x1,5 EN 50262 PA	
5	909100198	1	Schnur Befestigung	[3]
5	909100043	1	Kabelverschraubung	
6	301000829	2	Anschlussleitung Europa	[4]
7	301000912	1	Anschlussleitung GB	[5]
8	301000293	1	Drehschalter Stern-Dreieck	[6]
8	64579	1	Drehschalter Stern-Dreieck	[7]
9	64581	2	Rohr ∅10x4x20	[8]
10	909100046	2	Schraube 4x8	
11	11060	1	Relais	[9]
12	301001104	1	Leiterplatte	[10]
13	301002899	1	EL-BOX BASE	[11]
14	101406054	1	Dichtung	
18	64787	1	Etikett	[12]
18	64586	1	Klebeschild "230-400V Um	[7]
19	22290	1	Tragschiene 1 m	[13]
20	1814585	6	Schraube 3x12	
21	64580	1	Drehknopf	[14]
22	40045	2	Flachkopfschraube M4x30	
23	101117856	1	Kabel	[15]
23	101117858	1	Kabel	[16]
23	101117857	1	POS. MOTOR CABLE 9-WIRE 3PH 1.5MM2 NO	
23	101117855	1	POSEIDON MOTOR CABLE 7-WIRE 1PH 1.5MM2	[17]
24	301001058	1	Schalter	
25	106408243	1	HOSE 1/4INCH TRANSPARENT - 5 METERS	
26	301001133	2	Schlauchklemme 10/7	
27	301001000	1	Ventil	
28	301000767	1	Schaltkastenoberteil	[11]
29	9868	1	O-Ring 10x2,5	
30	1814730	2	Schraube 3,5x10	
31	909100214	1	Schalter GR 1 4 Kt	
32	909100204	1	Drehknopf 6x5 blau	
33	18274	2	Senkschraube M4x12	
34	301000074	1	Widerstand 470 ohm/3W	
35	101118041	1	ANDELI LA8-DN11 SIDE MOUNT AUX CONTACT	[18]
35	64773	1	Hilfskontakt 100-SBL11	
36	301000687	2	Klemmleiste	[1]
37	301000689	1	Platte	[9]
38	103822304	1	Schütz CJX2-D18 18A 230V 3P+NO	[19]
38	63910	1	Schütz 100-C23KF10	[20]
38	103822310	1	Schütz CJX2-D25-M7	[21]
38	103822315	1	Schütz CJX2-D32-M7 220V	[22]
38	63915	1	Schütz 100-C30KF10	[23]
38	103822311	1	Schütz CJX2-D25-F7 110V	[24]
38	103822303	1	Schütz CJX2-D18 18A 400V 3P+NO	[25]
39	301000952	1	Schalter	[26]
39	101118011	1	Schalter	[27]
40	14506	1	Klemmleiste	[28]
40	3817483	1	Klemmleiste	
41	101117839	1	Klemmleiste	
42	10369	4	Zylinderschraube M5x25	[29]
42	32535	4	Zylinderschraube M5x16	[30]
44	301000407	1	Netzleitung SJOW AWG10/3	[31]
45	301001384	1	Netzleitung VCT 4X3,5X11	[32]
45	301000833	1	Leitung	[10]

Pos.	Artikel-Nr.	Menge	Variante	Notes
45	301001466	1	Netzleitung SOW AWG12/4X1	[33]
46	15884	1	Kabelband 4,7x1,3x350 T50L schwarz PA	[1]
47	3288	1	Zylinderschraube M4 x 8 ISO 1207 zn	[1]
48	1814621	1	Halter Kabelbinder	[1]
49	301001219	1	Stopfen d 6,0 x d 8,0x5,4	[30]
50	301001390	1	POWER CORD H07RN-F 3G1.5X6.0 SABS164	[34]
51	3821316	1	Netzkabel AWG12/3X11	[35]
52	301001229	1	Klemmleiste	[36]
53	15319	1	Sechskantmutter M4 ISO 4032	[9]
54	1804699	1	Schraube M5x6	
55	3376	1	Fächerscheibe 5,3 -A- DIN 6798 VA	
56	101406054	1	Dichtung	
57	301002353	1	Anlaufstrombegrenzer	[1]
58	301001906	2	Verschlusskappe	
59	107140968	1	START RELAY RVAH4AH0C	[37]
59	101117996	1	START RELAY RVA 4N3D SPAREPART	[38]
61	301002165	1	Anschlussklemmenkäfig	[28]
62	107140150	1	FITTING FOR STARTER RELAY POSEIDON 5	[11]
63	301000263	1	Sicherung	
64	107141571	1	CABLE GLAND KIT	

Part Notes:

- [1] - 5-32, 5-52
 [2] - 400/3/50 *EU*
 [3] - 5-47, 5-52, 5-59
 [4] - 230/1/50 *EU*, 220/1/60*TW*KR*
 [5] - 230/1/50 *GB*
 [6] - 220/440/3/60 *US*KR*TW*
 [7] - 230/400/3/50 *BE*NO*
 [8] - STOCK COVERS GUARANTEE
 5-32, 5-47, 5-52, 5-55*KR*TW*, 5-59, 5-61*KR*TW*, DSS
 [9] - 5-32
 [10] - 5-32, 5-47, 5-52, 5-55*KR*TW*, 5-59, 5-61*KR*TW*, DSS
 [11] - STOCK COVERS GUARANTEE
 [12] - 220/440/3/60*US*KR*TW*
 [13] - PLEASE CONTACT CARWASH DIRECTLY
 [14] - TSB-PPW-2016-007 Rotary knob for Voltage selector switch 230V-400V must be sealed with lacquer
 DE TSB-PPW-2016-007 Drehknopf des Spannungsauswahlschalters 230V-400V muss mit Lack versiegelt werden
 [15] - 400/3/50
 STOCK COVERS GUARANTEE
 [16] - 200/3/50,60, 220/1/60*US*
 [17] - 230/1/50,60, 120/1/60
 STOCK COVERS GUARANTEE
 [18] - ANDELI
 [19] - 220,230/1/50,60
 [20] - 230-400V 50Hz
 [21] - 200/3/50,60
 [22] - 220/1/60
 STOCK COVERS GUARANTEE
 [23] - 440-220V 60Hz
 [24] - 120/1/60
 [25] - 400/3/50
 [26] - WITH, MIT ELECTRONICS
 [27] - WITHOUT, OHNE ELECTRONICS
 [28] - 5-52
 [29] - 5-52
 STOCK COVERS GUARANTEE
 [30] - 5-43, 5-47, 5-52, 5-55, 5-59, 5-61
 [31] - 220/1/60*US*
 STOCK COVERS GUARANTEE

- [32] - 200/3/50,60 *JP*
- [33] - 220,460/3/60*US*
GUARANTEE DATE EXPIRED
- [34] - 230/1/50*ZA*
NO LONGER AVAILABLE
- [35] - 120/1/60 *US*
STOCK COVERS GUARANTEE
- [36] - 400/3/50, 220/1/60
- [37] - Relay -US
- [38] - UK
STOCK COVERS GUARANTEE

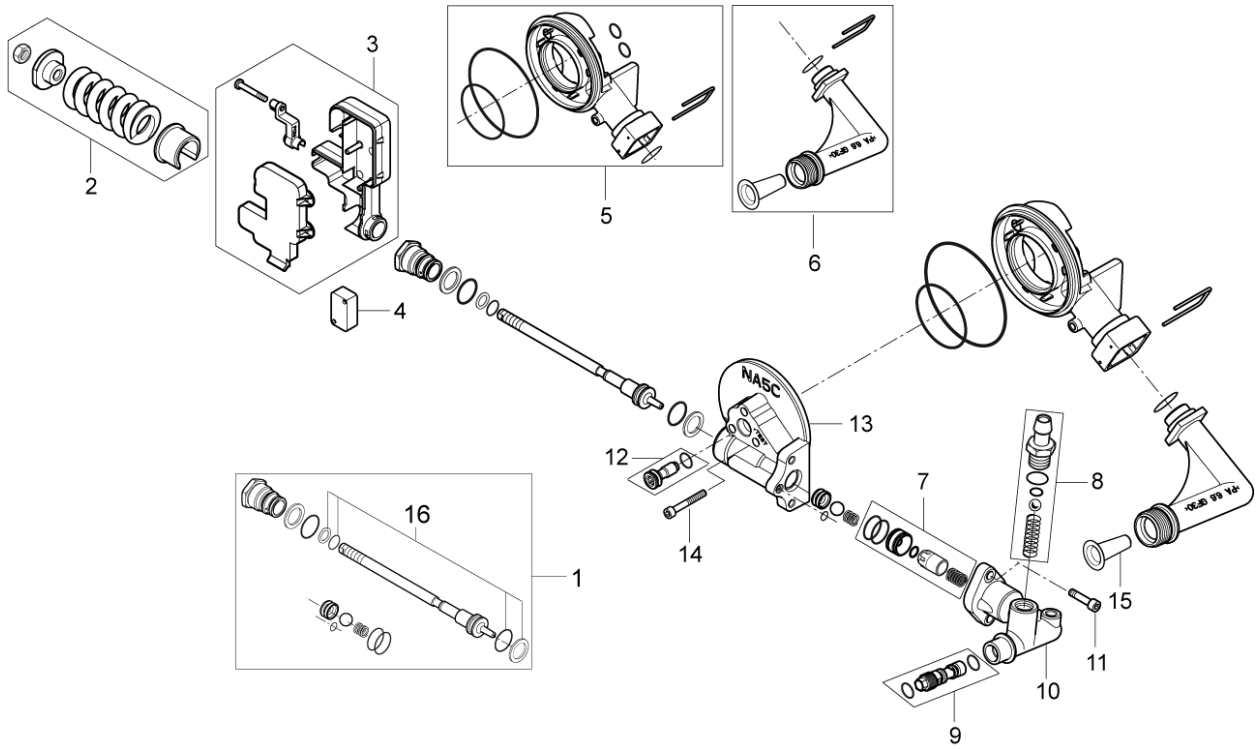


Pos.	Artikel-Nr.	Menge	Variante	Notes
0	107141950	1	M/P POS 5-61 400V/50HZ	
0	5218433	1	Pumpenöl 150 1x1l	[1]
0	107144146	1	Pumpenöl NA5 1 Liter	[2]
1	107144126	1	Lüfterhaube	[3]
1	107144127	1	Motorabdeckung - EME	[4]
2	107144124	1	Sicherungsring Luefterrad	[5]
2	107144125	1	Lüfterrad	[3]
3	31000148	1	Lagerdeckel	[3]
3	31000150	1	Lagerabdeckung EME	[5]
4	31000149	1	Lager RF	[3]
4	31000151	1	Hinteres Lager EME	[5]
5	19639	1	Passfeder A 8x7x25	
6	G120414	1	Dichtring Ø30XØ47X7	
7	301003168	1	KAPPE FÜR ÖLBEHÄLTER	
8	301002932	1	Ölbehälter Poseidon 5	[6]
9	3004221	1	O-RING 16X2 NITRIL 70 SHORE	
10	101117818	1	Reperatursatz Ölbehälter	
11	107141967	1	D-BEARING COVER COMPLETE NA5.2	
12	107141982	1	OIL PLUG W/O-RING AND MAGNET NA5.2	
13	107144142	1	Schraube für Pumpengehäus	[7]
14	101118246	1	WOBBLE DISC 8.4 DEG. BEARING KIT NA5.2	[8]
14	107144121	1	WOBBLE DISC 11.1 DEG. BEARING KIT NA5	[9]
14	107144122	1	WOBBLE DISC 9.7 DEG. BEARING KIT NA5	[10]
14	101118241	1	WOBBLE DISC 12 DEG. BEARING KIT NA5.2	[11]
14	101118244	1	WOBBLE DISC 9.85 DEG. BEARING KIT NA5.2	[12]
14	101118243	1	WOBBLE DISC 10.2 DEG. BEARING KIT NA5.2	[13]
14	101118247	1	WOBBLE DISC 8.7 DEG. BEARING KIT NA5.2	[14]
14	101118249	1	WOBBLE DISC 7.2 DEG. BEARING KIT NA5.2	[15]
14	101118248	1	WOBBLE DISC 7.74 DEG. BEARING KIT NA5.2	[16]
14	101118242	1	WOBBLE DISC 10.9 DEG. BEARING KIT NA5.2	[17]
14	101118245	1	WOBBLE DISC 9.15 DEG. BEARING KIT NA5.2	[18]
14A	107141990	1	WOBBLE DISC 7.74 DEG. NA5.2	
15	32964	4	Sechskantschraube M10x 30 ISO 4017 zn	
16	4827	4	Scheibe 10,5x2,5 A ISO 7093-1 zn	
17	2767	4	Scheibe 10,5x2,0 ISO 7090 zn	
18	8952	4	Sechskantmutter M10 ISO 7042 zn	
19	101118003	2	CAPACITOR 100UF KIT	[19]
20	301001465	1	Kondensator 60µF/450V	[20]
20	301001017	1	Kondensator 60 µF	[21]
20	101118002	2	CAPACITOR 70UF KIT	[19]
21	107141978	1	MOTOR 6.7 KW 220-400/440/3 50/60HZ - EU	[22]
21	107144148	1	MOTOR 4 KW/200/3 50/60HZ NA5.2 JP	[23]
21	107141981	1	MOTOR 2.2KW/230/1/50 HZ NA5.2	[21]
21	107144132	1	Motor 5,2 kW- 220/1/60	[20]
21	107141979	1	MOTOR 5.5 KW 220/230/400/440/3/50/60 EU	[24]
21	107141980	1	MOTOR 4KW 230/400/220/440 3/50/60 NA5.2	[25]
22	101117839	1	Klemmleiste	

Part Notes:

- [1] - P5-31 UK (0.65 l)
 [2] - (0,6 l)
 [3] - RF – has Nilfisk letter on the motor type plate
 [4] - STOCK COVERS GUARANTEE
- EME – has EME letter on the motor type plate
- [5] - EME – has EME letter on the motor type plate
 [6] - USED IN PRODUCTION
 [7] - contains hardware for one pump
 [8] - 5-47 4kW 200/3/60 - 5-31 2,6kW 230/1/20

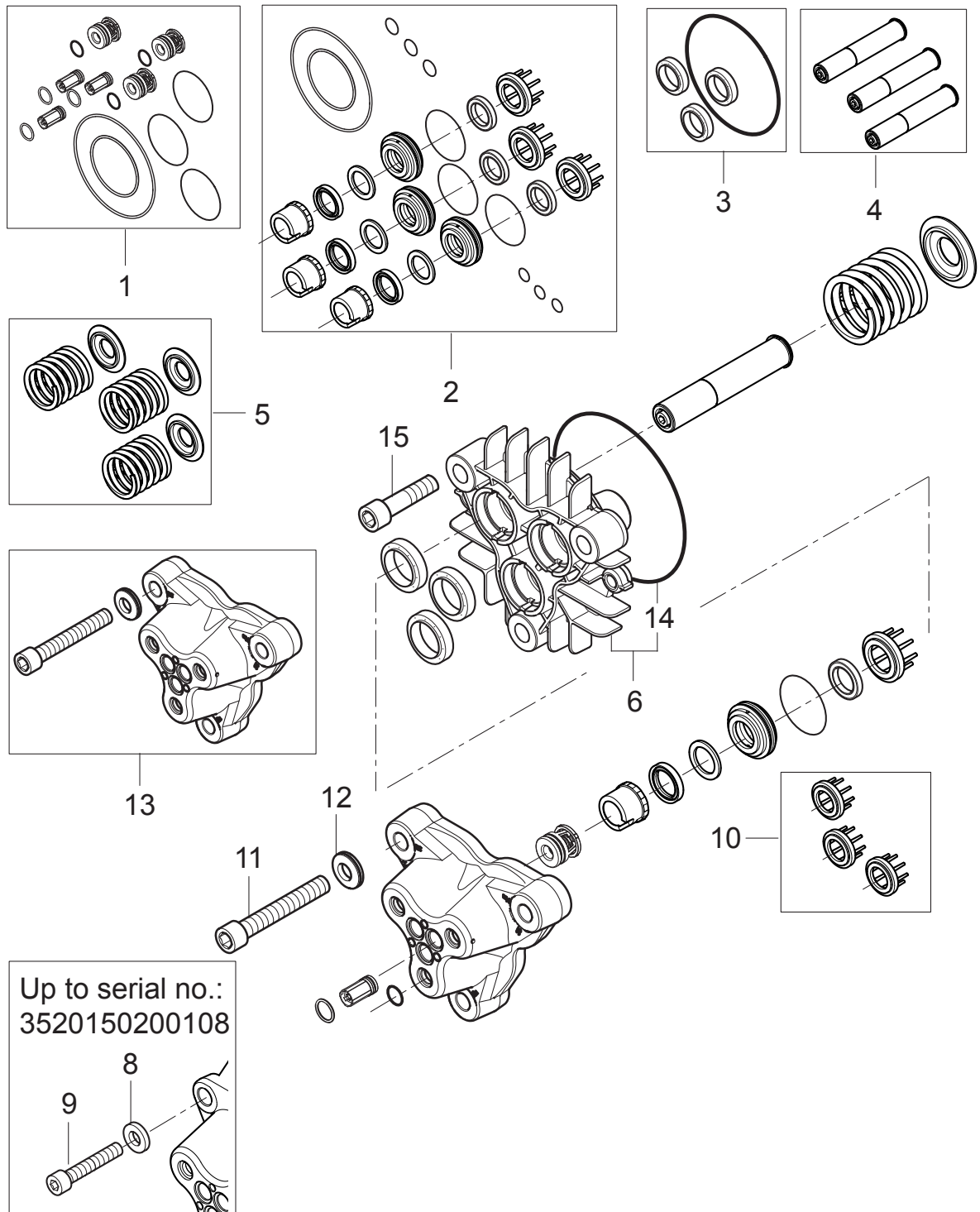
- [9] - PRUNED-NO REPLACEMENT
- [10] - 5-52 230/1/60Hz
STOCK COVERS GUARANTEE
- [11] - 5-61 6,7kW/230-400/3/50Hz
- [12] - 5-61 6,7kW 220-440/3/60Hz
- [13] - 5-59 6,7kW/220-440/3/60Hz USA - 5-47 200/3/50Hz JP
- [14] - 5-41 4kW 230/400/3/50Hz
- [15] - 5-41 4kW 220-440/3/60Hz
- [16] - 5-32 230/1/50, 5-52 5,2kW 220/1/60Hz USA
- [17] - 5-55 5,5kW 230-400/3/50 - 5-61 6,7kW 400/3/60
- [18] - 5-55 5,5kW 220-440/3/60Hz
- [19] - UK
- [20] - 5-52
STOCK COVERS GUARANTEE
- [21] - 5-31
- [22] - 5-61
- [23] - 5-47 3x200V 60Hz, JP
- [24] - 5-55
- [25] - 5-41, 5-47



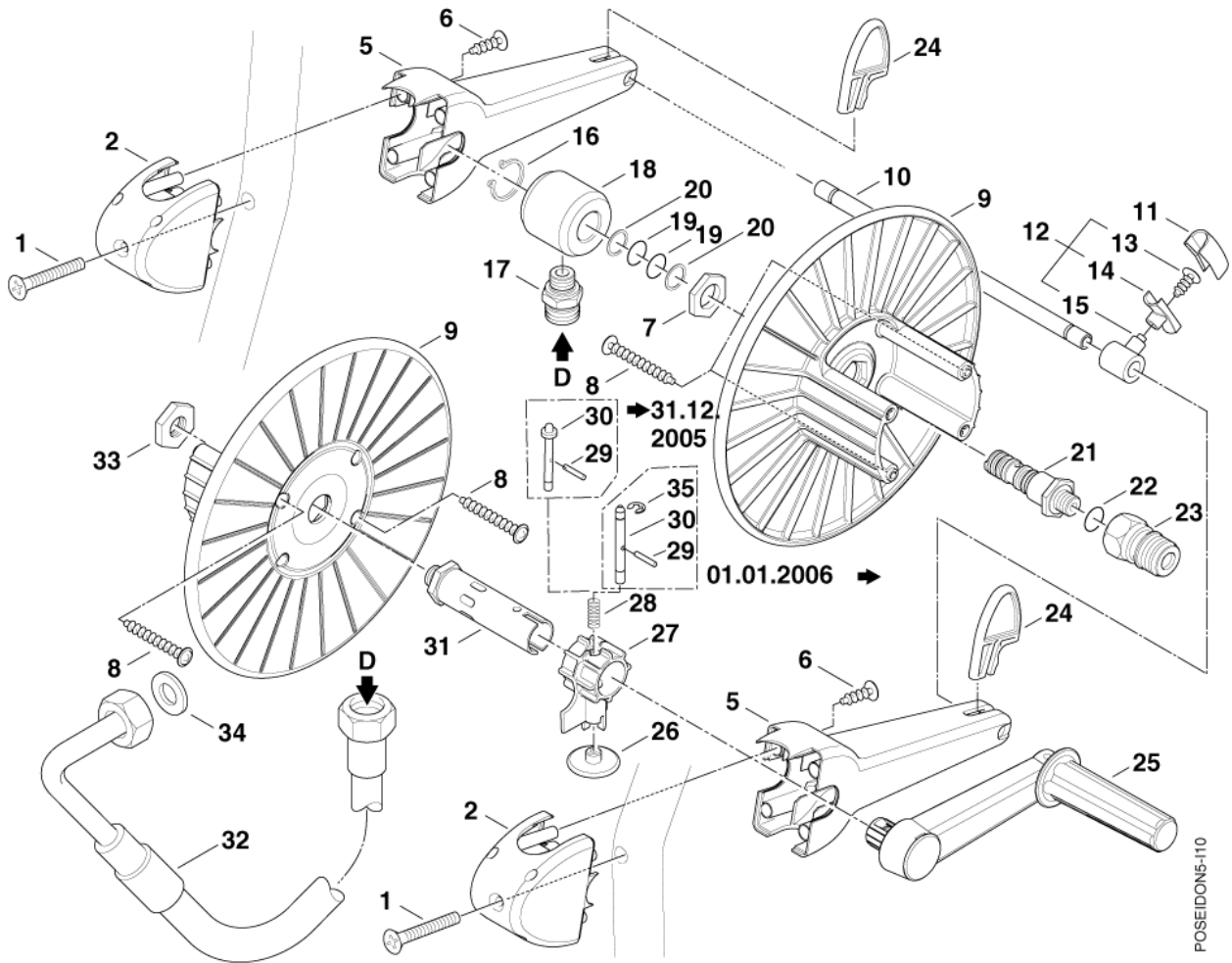
Pos.	Artikel-Nr.	Menge	Variante	Notes
1	107144105	1	Dichtsatz Sicherheitsvent	
1	107144147	1	Reparatursatz 1 -	[1]
2	107144106	1	Rep Satz Steuerkolbenfede	
3	107144145	1	Microschaltergehäuse	
4	301002754	1	Mikroschalter	
4	101118011	1	Schalter	[2]
5	107144109	1	Wassereinlass Kit	[3]
6	107144110	1	Wassereinlass Kit	
7	107144107	1	Rückschlagventil (Kit)	
8	1119406	1	Rückschlagventil	
9	107144112	1	Injektor	
10	107144136	1	Auslassfitting	
11	107144142	1	Schraube für Pumpengehäus	[4]
12	107144137	1	Stopfen	
13	107144138	1	Regelsicherheitsventil	
14	107144142	1	Schraube für Pumpengehäus	[4]
15	101117926	1	Sieb	
16	107144149	1	Reparaturkit für Regel-	
17	64235	1	Verbindungsstück	

Part Notes:

- [1] - For POSEIDON 5 DSS
- [2] - 5-63
- [3] - TSB-PPW-2015-003 Water Inlet, 101117929 and 107144109 for NA5 pumps does not fit on NA5.2 pump
- [4] - contains hardware for one pump



Pos.	Artikel-Nr.	Menge	Variante	Notes
1	107144100	1	Ventilsatz NA 5	
2	101118097	1	Dichtungskit Hochdruck-	
3	107144102	1	Dichtungssatz Kolben	
4	101118239	1	PISTON KIT - NA5.2	
5	107144104	1	Satz Feder	
6	107141983	1	CYLINDER BLOCK W/O-RING NA5.2	
8	107141727	3	Beilagscheibe D13	
9	107141513	3	Zylinderkopfschr M12x65	
10	107140919	1	SUPPORT RING NA5 SPARE VPE 3	
12	107141968	3	CYL.SCREW M12X80 WITH NORDLOCK WASHER	
11	107141969	3	WASHER NLX12SP ?12.5X?19.5X3.5MM	
13	107141985	1	CYLINDER HEAD NA5.2 W. SCREWS WASHERS	



Pos.	Artikel-Nr.	Menge	Variante	Notes
00	301001310	1	Schlauchtrommel POSEIDON	
01	909100154	2	Linsensenkschraube M6x45	[1]
02	301000809	2	Halter	
05	301000929	2	Halter	
06	1814641	4	Ejotschraube K50x30 WN 14	
07	62696	1	Sechskantmutter M24x1,5x	
08	909100153	4	Schraube 6x40	
09	301000775	2	Trommel	
10	107140355	1	Achse	
11	301000674	1	Schlauchführung	
12	301000780	1	Schlauchführung	
13	10028	1	Ejotschraube KA50x14 WN1411 verz	
14	301000676	1	Schlauchführung	
15	301000672	1	Lagerbock	
16	1802057	1	Seegerring U 20 x1,2	
17	54590	1	Anschlussstück	
18	301000977	1	Lagerbuchse	
19	19620	2	O-Ring 15,54x2,62	
20	63792	2	Stützring 16,26x2,18	
21	301000976	1	Hohlschraube	
22	1801075	1	Dichtring	
23	1600493	1	Anschlussstück	
24	301000927	2	Halter	
25	301000733	1	Kurbel	
26	909100362	1	Griff	
27	301001010	1	Gehäuse	
28	909100151	1	Feder	
29	16067	1	Spannstift 3,0x14 ISO875	
30	301001009	1	Bolzen	
31	301001007	1	Achse	
32	301001092	1	Hochdruckschlauch DN 8, 1,2 m	
33	909100145	1	Mutter	
34	65466	1	Dichtring 8,0x15,0x1,0 DI	
35	1806538	1	Sicherungsscheibe d 5	

Part Notes:

[1] - STOCK COVERS GUARANTEE

Pos.	Artikel-Nr.	Menge	Variante	Notes
0-	106403123	1	Ergo 2000 VarioPress	[1]
0-	106403122	1	ERGO 2000 STANDARD W. HOSE SWIVEL	[2]
00	301001100	1	HOCHDRUCKSCHLAUCH ALTO DN 8 15M	[3]
00	101405770	1	HD-Schlauch DN 8x10m	[4]
00	101119484	1	Rep.-Satz Gelenk Pistole	[5]
1	106402291	1	TURBOHAMMER PLUS 1140	[6]
1	106402292	1	TURBOHAMMER PLUS 1125 STRAIGHT W11 0550	[7]
1	106403010	1	TORNADO PLUS 1120 Geb. o. Düse	[8]
2	101119741	1	HD-Düse 0500 TORNADO	[9]
2	101119743	1	HD-Düse 0550 TORNADO neongrün	[10]
2	101119738	1	Düse NT0400	[11]
2	101119742	1	HD-Düse 0530 TORNADO	[12]
2	101119749	1	HD-Düse 0750 TORNADO	[13]
3	301001310	1	Schlauchtrommel POSEIDON	[3]

Part Notes:

- [1] - ERGO 2000 VP Spray handle
5-41, 5-55, 5-61
- [2] - ERGO 2000 Spray handle
- [3] - 5-31XT, 5-32XT, 5-41XT, 5-55XT, 5-61XT, 5-63XT
- [4] - 5-31, 5-32, 5-41, 5-47, 5-55, 5-61
- [5] - 5-41, 5-47, 5-55, 5-61
- [6] - 5-41XT, 5-55XT
TURBOHAMMER PLUS lance
- [7] - TURBOHAMMER PLUS lance
- [8] - TORNADO PLUS lance
- [9] - 5-47, 5-55
- [10] - 5-31, 5-32
- [11] - 5-41 5-41
- [12] - 5-61
- [13] - 5-63

Pos.	Artikel-Nr.	Menge	Variante	Notes
0A	107144102	1	Dichtungssatz Kolben	[1]
0A	101117818	1	Reparatursatz Ölbehälter	[1]
0A	107144100	1	Ventilsatz NA 5	[1]
0A	101117926	1	Sieb	[1]
0A	3004221	1	O-RING 16X2 NITRIL 70 SHORE	[1]
0A	101118097	1	Dichtungskit Hochdruck-	[1]
0B	101118239	1	PISTON KIT - NA5.2	[2]
0B	107144147	1	Reparatursatz 1 -	[2]
0B	107144105	1	Dichtsatz Sicherheitsvent	[2]
0B	107144112	1	Injektor	[2]
0B	107144104	1	Satz Feder	[2]
0C	107144109	1	Wassereinlass Kit	[3]
0C	301001056	1	Kondensator 98 µF	[3]
0C	107141978	1	MOTOR 6.7 KW 220-400/440/3 50/60HZ - EU	[3]
0C	107144122	1	WOBBLE DISC 9.7 DEG.BEARING KIT NA5	[4]
0C	107141980	1	MOTOR 4KW 230/400/220/440 3/50/60 NA5.2	[3]
0C	301000074	1	Widerstand 470 ohm/3W	[3]
0C	64773	1	Hilfskontakt 100-SBL11	[3]
0C	101118242	1	WOBBLE DISC 10.9 DEG. BEARING KIT NA5.2	[3]
0C	101118249	1	WOBBLE DISC 7.2 DEG. BEARING KIT NA5.2	[3]
0C	101118248	1	WOBBLE DISC 7.74 DEG. BEARING KIT NA5.2	[3]
0C	101118244	1	WOBBLE DISC 9.85 DEG. BEARING KIT NA5.2	[3]
0C	101118243	1	WOBBLE DISC 10.2 DEG. BEARING KIT NA5.2	[3]
0C	101118246	1	WOBBLE DISC 8.4 DEG. BEARING KIT NA5.2	[3]
0C	101118247	1	WOBBLE DISC 8.7 DEG. BEARING KIT NA5.2	[3]
0C	101118245	1	WOBBLE DISC 9.15 DEG. BEARING KIT NA5.2	[3]
0C	101118241	1	WOBBLE DISC 12 DEG. BEARING KIT NA5.2	[3]
0C	107144132	1	Motor 5,2 kW- 220/1/60	[4]
0C	301000952	1	Schalter	[3]
0C	101118011	1	Schalter	[3]
0C	103822303	1	Schütz CJX2-D18 18A 400V 3P+NO	[3]
0C	301001092	1	Hochdruckschlauch DN 8, 1,2 m	[3]
0C	103822315	1	Schütz CJX2-D32-M7 220V	[4]
0C	107141967	1	D-BEARING COVER COMPLETE NA5.2	[3]
0C	301001465	1	Kondensator 60µF/450V	[4]
0C	101118002	1	CAPACITOR 70UF KIT	[3]
0C	31000149	1	Lager RF	[3]
0C	301002754	1	Mikroschalter	[3]
0C	107144121	1	WOBBLE DISC 11.1 DEG. BEARING KIT NA5	[5]
0C	301002353	1	Anlaufstrombegrenzer	[3]
0C	103822304	1	Schütz CJX2-D18 18A 230V 3P+NO	[3]
0C	107141979	1	MOTOR 5.5 KW 220/230/400/440/3/50/60 EU	[3]
0C	103822309	1	Schütz CJX2-D25-P7 230V	[3]
0C	301000402	1	Widerstand 15 kΩ	[3]
0C	1119406	1	Rückschlagventil	[3]
0C	107144148	1	MOTOR 4 KW/200/3 50/60HZ NA5.2 JP	[3]
0C	101118003	1	CAPACITOR 100UF KIT	[3]
0C	107144107	1	Rückschlagventil (Kit)	[3]
0C	101118041	1	ANDELI LA8-DN11 SIDE MOUNT AUX CONTACT	[3]
0C	301001017	1	Kondensator 60 µF	[3]
0C	31000151	1	Hinteres Lager EME	[3]
0C	107141981	1	MOTOR 2.2KW/230/1/50 HZ NA5.2	[3]
0C	103822311	1	Schütz CJX2-D25-F7 110V	[3]
0C	107144110	1	Wassereinlass Kit	[3]
0C	301001104	1	Leiterplatte	[3]
0C	301001058	1	Schalter	[3]
0C	103822310	1	Schütz CJX2-D25-M7	[3]
0C	11060	1	Relais	[3]

Part Notes:

- [1] - A
- [2] - B
- [3] - C
- [4] - C
STOCK COVERS GUARANTEE
- [5] - C
PRUNED-NO REPLACEMENT