



P.A. – S.p.A. – EQUIPAGGIAMENTI TECNICI DEL LAVAGGIO

VIA MILANO, 13 – CASELLA POSTALE 115 – 42048 RUBIERA (REGGIO EMILIA) – ITALY
 Tel. +39 0522 623611 – Fax. +39 0522 629600 – R.E.A. RE 156319 – R.I. RE11535 – Mecc. RE 013446
 C.F. e P. IVA 01035950359 – Cap. Soc. i.v. € 750.000,00 – Codice Identificativo C.E.E. IT 01035950359
 ART. 2497 – BIS C.C. DIREZIONE E COORDINAMENTO BENETTI srl R.I. TRIB. DI RE 01480690351
Web: <http://www.pa-etl.it> – **E-mail:** info@pa-etl.it



VB 40/1000 Zero - Flow sensitive unloader valve

PATENTED

Pressure regulating valve unloader type with zero setting on delivery line: at gun closure the water flow is bypassed at low pressure maintaining also the delivery line in low pressure.

Technical manual: MPA0004EN

DN 10



- **60.2900.XX** VB 40/1000 Zero G 3/8" FF
 - Near total zero setting of the pressure in the delivery line at gun closure.
 Advantages:
 - Increased safety for the operator.
 - Delivery hose easy to control when gun is closed.
 - Less force needed to reopen the gun.
 - At gun reopening, work pressure is reached gradually.
 Advantages:
 - Operators work less heavy.
 - Easy starting if thermal engine is used.
 - Reduced pressure loss and hardly dependent on flow rate.
 - Great reliability.
 - Easy maintenance.
 - Three versions with different working pressure but one sole range of flow rate from 9 up to 40 l/min.

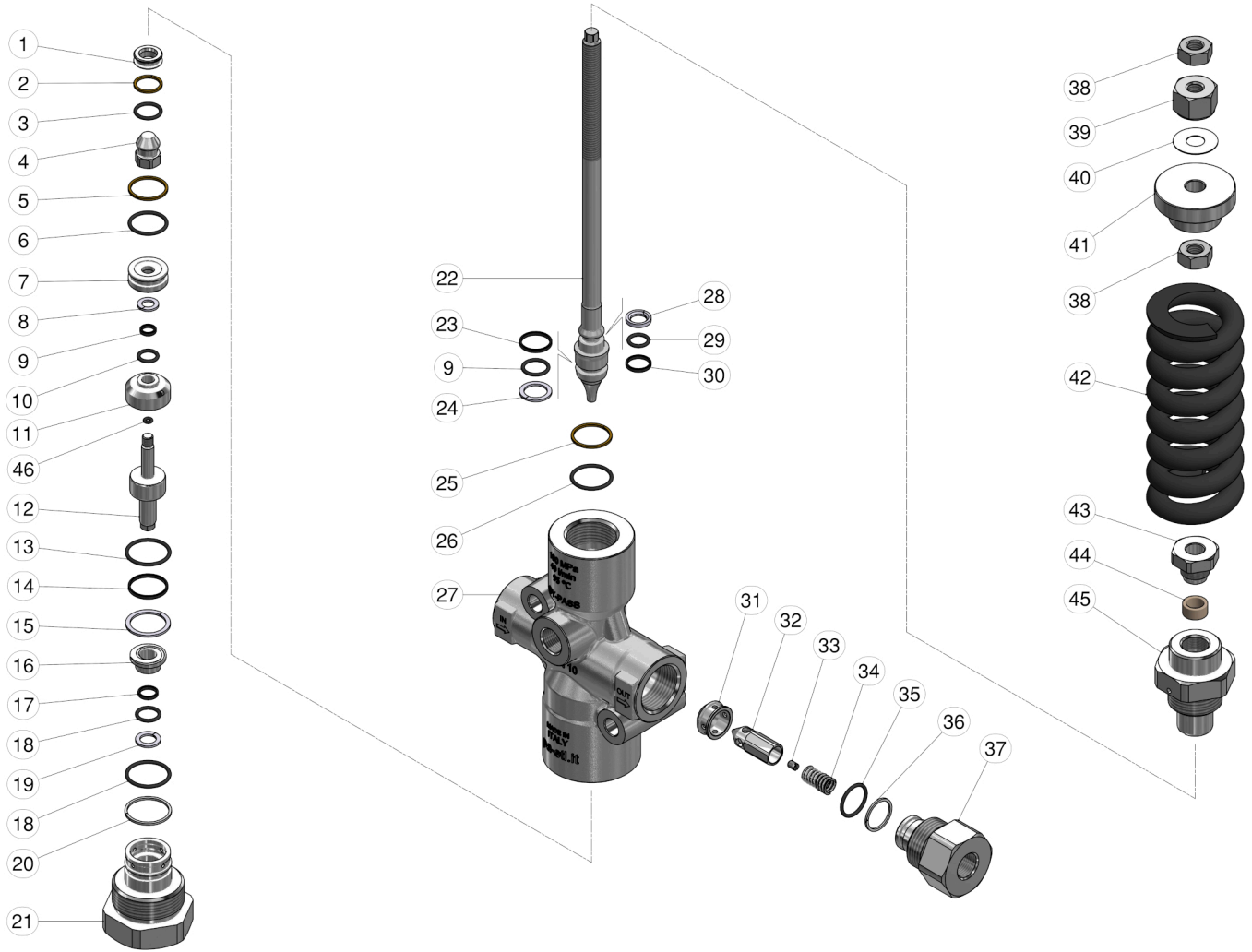
TECHNICAL SPECIFICATIONS

Construction material: Sst.

PART NUMBER	MINIMUM FLOW		MAXIMUM FLOW		WORK PRESSURE		ADJUSTABLE MINIMUM PRESSURE		MAX TEMPERATURE (1)		WEIGHT		IN OUT	BYPASS
	l/min	USG	l/min	USG	bar	MPa	bar	MPa	°C	°F	g	oz.		
60.2900.00	9	2.4	40	10.5	1000	100	500	50	95	203	4650	164	G 3/8" F	G 3/8" F
60.2900.12	9	2.4	15	4.0	1000	100	500	50	95	203	4650	164	G 3/8" F	G 3/8" M
60.2900.20	15	4.0	25	6.5	1000	100	500	50	95	203	4650	164	G 3/8" F	G 3/8" M
60.2900.30	25	6.5	35	9.2	1000	100	500	50	95	203	4650	164	G 3/8" F	G 3/8" M

- 1) The valve has been designed for a continuous use at a water temperature of **60°C (140°F)**. It can work for short periods at a maximum temperature of **95°C (203°F)**.

60.2900.00 VB40/1000 Zero Unload.-flow activated



Pos.	P/N	Description	Q.ty	K1	K2	K3	K4		Pos.	P/N	Description	Q.ty	K1	K2	K3	K4	
1	60.2919.51R	Sst seat, 9,5 mm	1	•				5	24	10.4013.09R	Back-up ring, 13,1x18x1,2 mm	1	•				10
2	10.4013.00R	Back-up ring, 16x13,2x1,2 mm	1	•				10	25	10.4060.09R	Back-up ring, 20x22,8x1,2 mm	1	•				10
3	10.3060.85R	O-ring, 1,78x12,42 mm HNbr 85	2	•				10	26	10.3072.95R	O-ring, 1,78x20,35 mm Hnbr 85	1	•				10
4	60.2925.51R	Sst shutter v.2	1	•				5	27	60.2905.55R	Housing -VB40/1000 Zero 3/8 .Bsp F sst	1					3
5	10.4041.00R	Back-up ring, 19,3x22x1,2 mm PTFE	1	•				10	28	10.4008.93R	Back-up ring, 9,3x14,2 x2,2 mm	1	•				5
6	10.3070.85R	O-ring, 1,78x18,77 mm Hnbr 85	1	•				10	29	10.3057.85R	O-ring, 1,78x9,25 mm HNbr 85	1	•				10
7	60.2906.51R	7 mm sst piston ring	1					3	30	10.4162.00R	Back-up ring, 14,2 mm	1	•				3
8	10.4007.09R	Back-up ring, 7x11,9x1,2 mm	1	•				10	31	60.2911.51R	Sst. seat check valve	1					5
9	10.4007.92R	Back-up ring, 7x9x2 mm	1	•				10	32	60.2931.21R	Sst shutter+ nozzle M4	1					3
10	10.3056.85R	O-ring, 1,78x8,74 mm HNbr 85	1	•				10	34	60.2601.51R	Sst spring, 1,3x8,5x28,5 mm	1					10
11	60.2909.51R	7 mm sst piston ring	1					3	35	10.3068.85R	O-ring, 1,78x17,17 mm Hnbr 85	1	•				10
12	60.2924.51R	Sst pin v.2	1					5	36	10.4099.00R	Back-up ring, 17,2x20x1,2mm	1	•				10
13	10.3072.85R	O-ring, 1,78x21,95 mm HNbr 85	2	•				10	37	60.2912.51R	Shutter coupl., 3/8F Bsp sst	1					3
14	10.4059.00R	Back-up ring, 20x22x2 mm	1	•				10	38	11.4629.00R	Hex. nut, M10	2					10
15	10.4059.09R	Back-up ring, 20x24,9x1,2mm	1	•				10	39	60.2917.61R	Hex. nut, M10 zpl.	1					5
16	60.2610.51R	9,2 mm sst piston ring	1					3	40	60.2918.51R	Washer, 10,3x25x0,5 Ai301	1					5
17	10.4055.00R	Back-up ring, 9,2x11,2x2 mm	1	•				10	41	60.2914.51R	Spring holding washer, sst	1					5
18	10.3058.85R	O-ring, 1,78x10,82 mm HNbr 85	1	•				10	42	60.2901.61R	Spring, 12x42x128 mm black	1					1
19	10.4008.09R	Back-up ring, 9,2x14,1x1,2 mm	1	•				10	43	60.2915.51R	Sst. M16x1 plug, **	1					5
20	10.4098.00R	Back-up ring, 23,2x26x1,2mm	1	•				10	44	26.1046.84R	Bushing, 10x14x7 mm Plast. **	1	•				10
21	60.2904.51R	Lower plug, sst	1					3	45	60.2903.51R	Piston holder, sst	1					5
22	60.2902.21R	Sst. valve piston, VB40/1000 Zero	1					5	46	10.3014.25R	O-ring, 1,5x2,5 mm Ni 70	1					10
23	10.4161.00R	Back-up ring, 18 mm	1	•				3									

** On request

Kit	P/N	Description	
K1	60.2921.24	Spares kit -VB40/1000.Zero, 26x1pcs.	1