

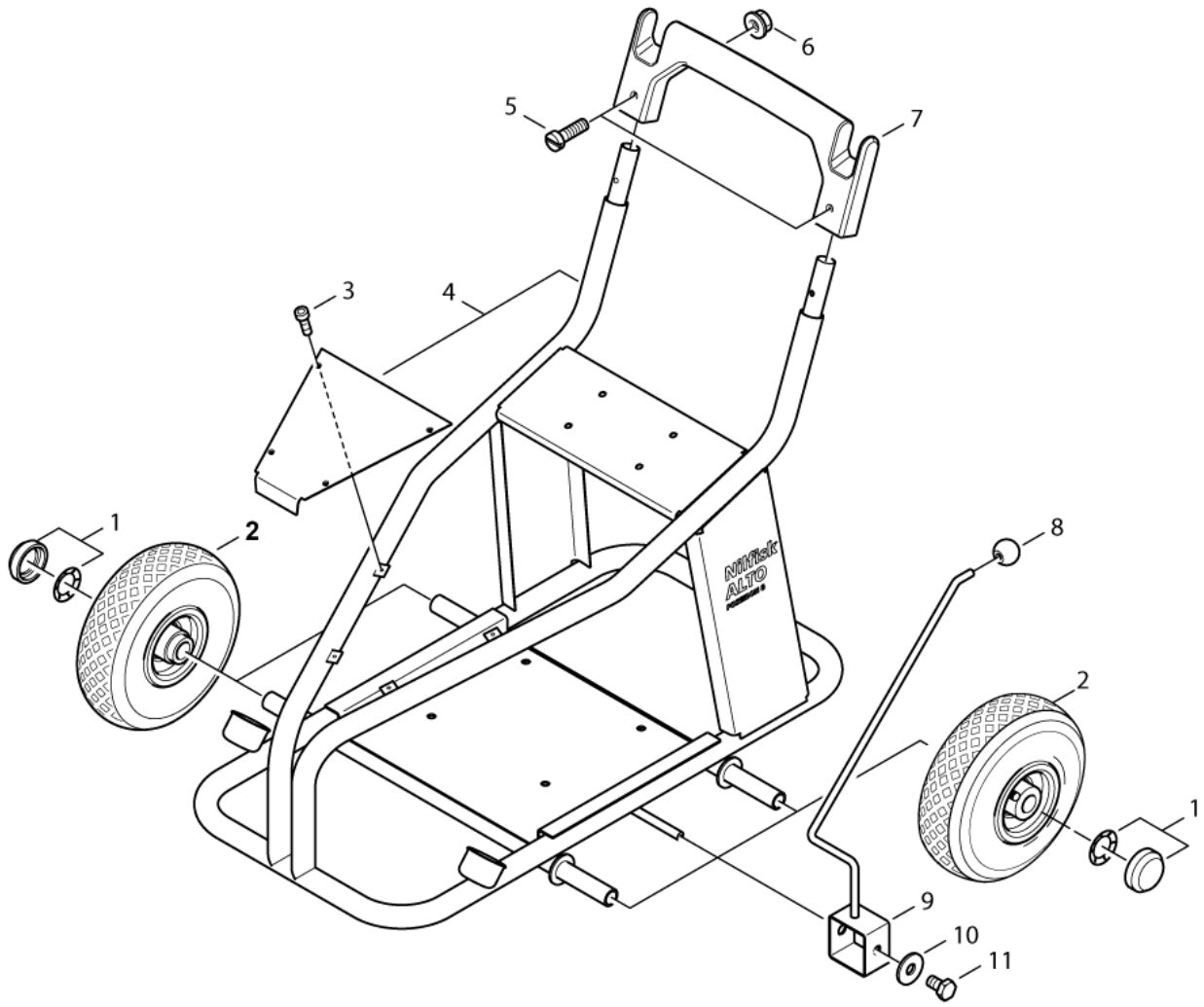
PARTS LIST



2019.04.09

TABLE OF CONTENTS

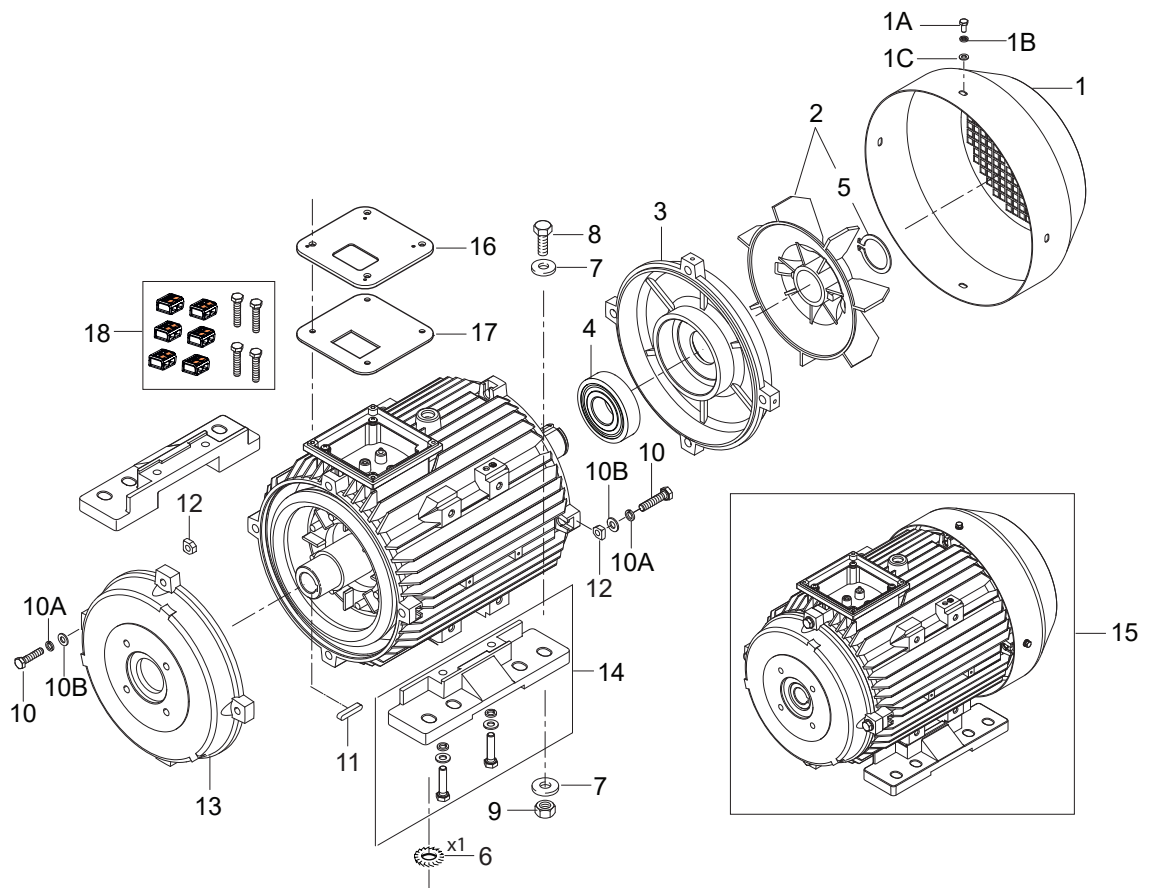
Chassis	1
Motor RF	3
Motor	5
Control safety block (A)	7
Control safety block (B)	9
Pump	11
Pump, kits	13
Electric box 8-111 / MC 8P 180/2100, 8-125 / MC 8P 160/2500	15
Electric box 8-75, 8-82	17
Default accessories	19
Recommended spare parts	21



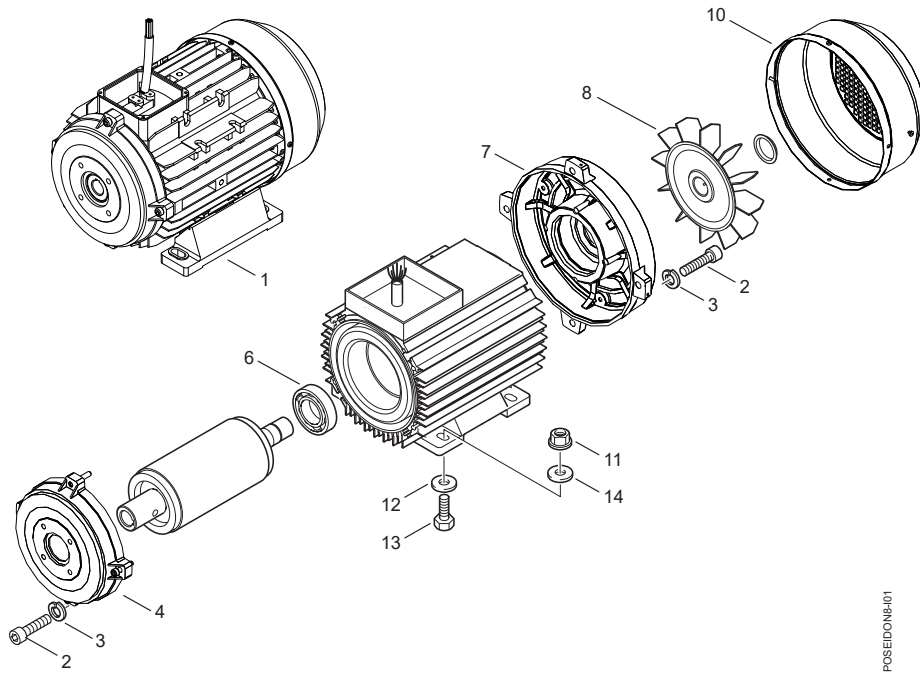
Pos.	Réf article	Qté	Désignation	Notes
1	2004265	4	CAPUCHON	
2	102013555	4	ROUE	
3	18274	4	VIS TETE FRAISEE M4X12	
4	301002601	1	BASE FRAME POSEIDON 8	[1]
4	301002538	1	BASE FRAME POSEIDON 8 STAINLESS STEEL	[2]
5	17737	2	VIS M6X40	
6	12496	2	ECROU M6	
7	43625	1	HANDLE	
8	301002690	1	BALL KNOB DIN 319-KU-35-M10-C	
9	301002689	1	BRAKE LEVER	[2]
9	301002688	1	HAND BRAKE LEVER CPL. POSEIDON 8 ST.	[1]
10	14805	1	WASHER 6.4X1.6 x 18 A ISO 7093-1 VA	
11	19647	1	VIS M6X10	

Part Notes:

- [1] - 8-111, 8-125
[2] - 8-111ST, 8-125ST



Pos.	Réf article	Qté	Désignation	Notes
	31001229	1	OIL ISO 150 ALPHASYN-T 20L	
0	5218433	1	HUILE ALPHASYN T150	
1	107144791	1	FAN COVER MEC132	
1A	31000488	4	SCREW M5X8 CYLINDER HEAD PH NOTCH RF	
1B		4	Lock washer M5 DIN 7980 A zinc plated	
1C		4	Plain washer M5 DIN125A galv	
2	107144793	1	FAN MEC132 W. LOCKRING RF	
2A	107144792	1	SHAFT RETAINING RING Ø38X1.5	
3	107144794	1	N-BEARING COVER MEC132	
4	107144795	1	N-BEARING MEC132	
5	107144792	1	SHAFT RETAINING RING Ø38X1.5	
6	10204	1	RONDELLE CRANTEE A10	
7	2767	7	RONDELLE 10.5X2	
7A	10204	1	RONDELLE CRANTEE A10	
8	8927	4	VIS HEXAGONALE M10X 35 ISO 4017	
9	1800465	4	ECROU M10 DIN 934	
9	1802966	4	ECROU M10	
10	2751	8	VIS DE FLASQUE M8X35 ISO 4017 ZN	
10A	2798	8	RONDELLE GROWER	
10B	2762	8	RONDELLE 8.4X1.6	
11	107144796	1	KEY MEC132 A6x32 CARBON STEEL C45	
12	107144797	8	SQUARE NUT M8	
13	107144812	1	D-BEARING COVER RF	
14	107144808	2	FEET FOR MOTOR W. SCREWS AND WASHERS	
15	106408266	1	MOTOR NP8 - 11KW/230/400V/50HZ/3PH	
16	301002539	1	MOUNTING PLATE F. SWITCH BOX POSEIDON 8	
17	301002615	1	GASKET F. MOTOR SWITCH BOX POSEIDON 8	
18	101118299	1	MOTOR NP8 MC KIT	

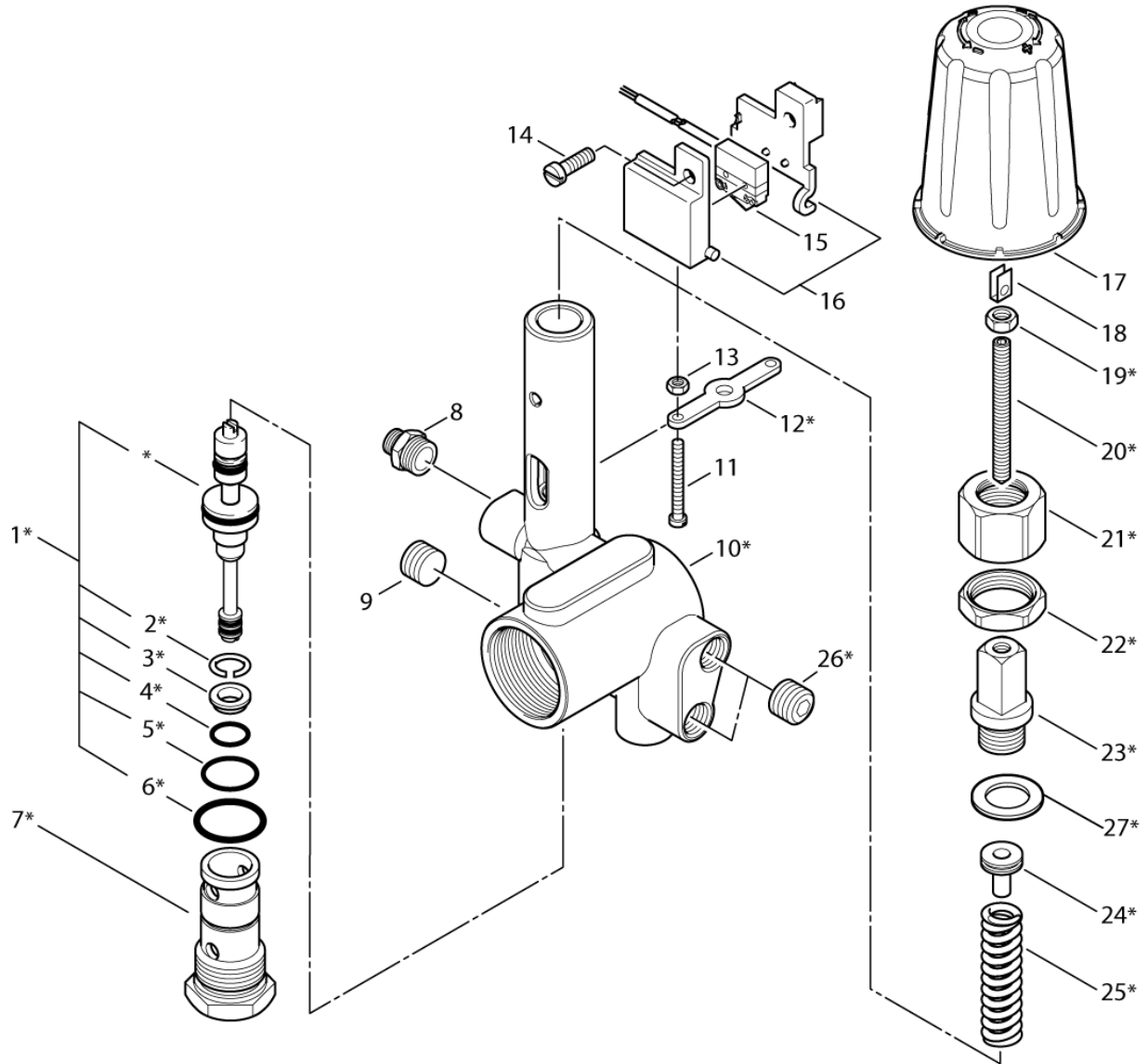


POSEIDON8-101

Pos.	Réf article	Qté	Désignation	Notes
1	106408266	1	MOTOR NP8 - 11KW/230/400V/50HZ/3PH	[1]
1	107140185	1	MOTOR POS. 8 - 7.5KW/230/400V/50HZ/3PH	[2]
2	6863	8	VIS M8X35	
3	2798	8	RONDELLE GROWER	
4	301002075	1	FLASQUE AVANT MOTEUR NP8	
6	909100380	1	ROLLER BEARING 6208-2ZC3	
7	301002073	1	FLASQUE ARRIERE DU MOTEUR DE POMPE	
8	301002074	1	IMPELLER Ø 230X50	
9	106162892	1	CLAMPING STRAP	[3]
10	301002077	1	CACHE VENTILATEUR Ø 260X115	
11	1800465	4	ECROU M10 DIN 934	[4]
11	20184	4	NUT 6KT- M10 934 A2	[5]
12	2767	4	RONDELLE 10.5X2	[4]
13	24319	4	VIS M10X35	[5]
13	8927	4	VIS HEXAGONALE M10X 35 ISO 4017	[4]
14	14966	4	RONDELLE	[5]
14	4827	4	RONDELLE HOME CLEANER	[4]

Part Notes:

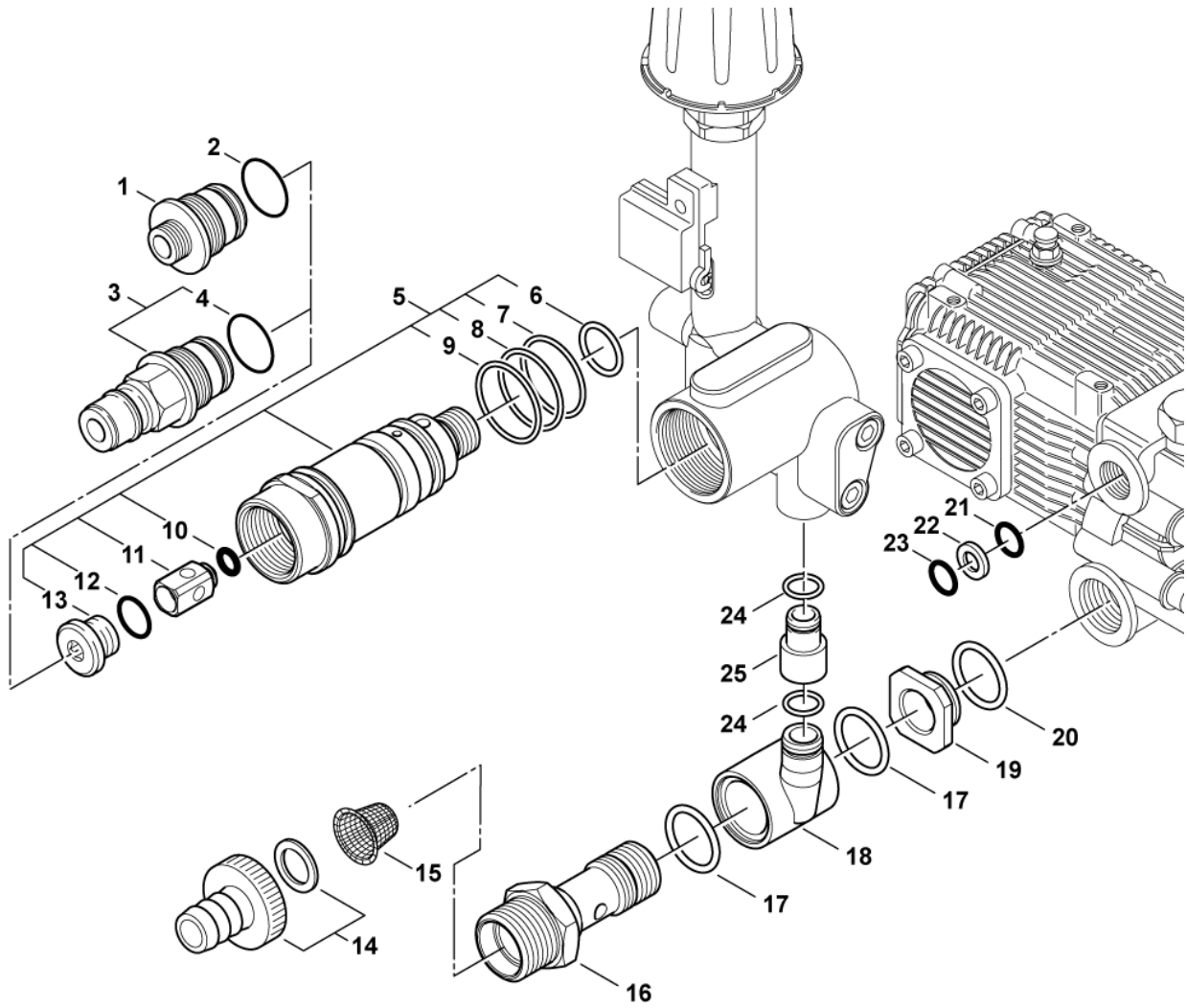
- [1] - POSEIDON 8-111 / MC 8P 180/2100,
POSEIDON 8-125 / MC 8P 160/2500
- [2] - 8-75, 8-82
NO LONGER AVAILABLE
- [3] - STOCK COVERS GUARANTEE
- [4] - 8-75, 8-82, 8-111, 8-125
- [5] - 8-111ST, 8-125ST



Pos.	Réf article	Qté	Désignation	Notes
1	64314	1	KIT DE RÉPARATION POUR PISTON DISTRIBUTE	[1]
2	909100001	1	BAGUE FENDUE D14	[1]
3	62708	1	BAGUE DE LOGEMENT DE SOUPAPE	[1]
4	49461	1	JOINT TORIQUE 11.0X1.5	[1]
5	9523	1	JOINT TORIQUE 17.0X1.5	[1]
6	32091	1	JOINT TORIQUE 21.0X2.0	[1]
7	64301	1	VIS CREUSE	[1]
8	1230	1	PIÈCE DE RACCORDEMENT	
9	33047	1	BOUCHON FILETÉ	
10	301000787	1	CORPS	[1]
11	101117739	1	VISHEX M4X22-8.8 A2K DIN912	
12	62717	1	LEVIER	[1]
13	2759	1	ECROU M8	
14	3349	1	VIS M5X16	
15	301000952	1	INTERRUPTEUR	
16	62401	1	SUPPORT	
17	301000804	1	BOUTON	
18	63946	1	ECROU 4.8X3 MM	
19	3136	1	ECROU M6	[1]
20	62711	1	TIGE FILETEE M6X60	[1]
21	62710	1	ÉCROU-CHAPEAU	[1]
22	62696	1	ECROU HEX M24X1.5X6	[1]
23	62712	1	VIS CREUSE	[1]
24	62695	1	SUPPORT DE RESSORT	[1]
25	40972	1	RESSORT	[1]
26	6262	2	VIS	[1]
27	103004451	1	RONDELLE	[1]
99	301000904	1	CONTROLEUR DE PRESSION	[2]

Part Notes:

- [1] - *
- [2] - consisting of: *

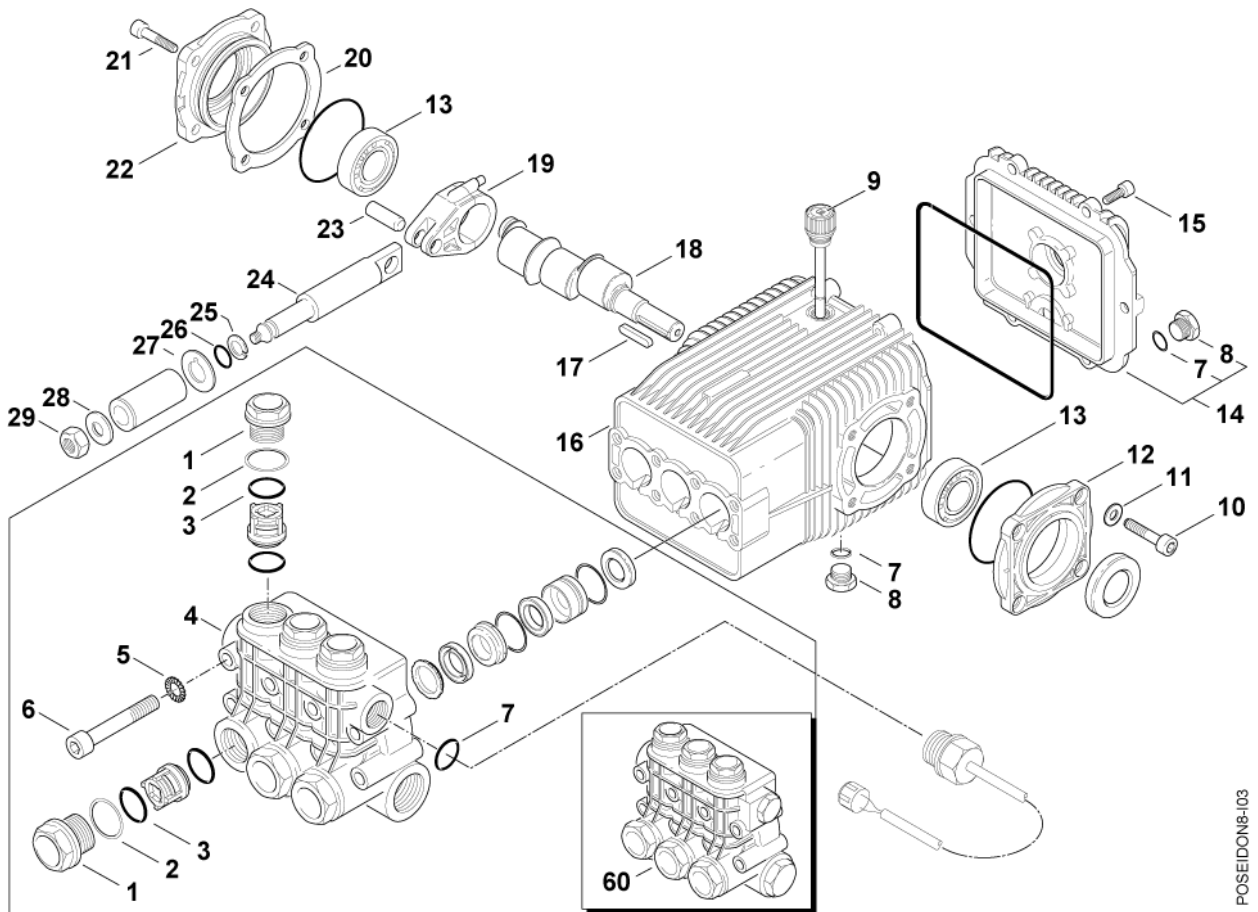


Pos.	Réf article	Qté	Désignation	Notes
1	64224	1	VIS CREUSE	
2	32091	1	JOINT TORIQUE 21.0X2.0	
3	64236	1	RACCORD M27X1.5 EXTERIEUR	[1]
3	65797	1	KIT ADAPTATEUR HP	[2]
4	32091	1	JOINT TORIQUE 21.0X2.0	
5	301002667	1	RACCORD BANJO	
6	16443	1	JOINT TORIQUE 17.0X2.0	
7	64307	1	JOINT TORIQUE 23.47X2.62	
8	64306	1	JOINT TORIQUE 25.07X2.62	
9	64305	1	JOINT TORIQUE 28.24X2.62	
10	9858	1	JOINT TORIQUE 6.0X3.0	
11	6187135	1	PISTON	
12	16998	1	JOINT TORIQUE 14.0X1.5	
13	64309	1	BOUCHON FILETÉ	
14	6577	1	RACCORD LAITON ENTREE EAU 1" 25MM	
15	101117926	1	FILTRE	
16	62698	1	RACCORD BANJO	
17	24347	2	JOINT TORIQUE 21.0X2.5	
18	301000778	1	RACCORD	
19	301001753	1	REDUCTION G3/4-G1/2	
20	107318254	1	JOINT TORIQUE 24X2.0 NBR70	
21	32091	1	JOINT TORIQUE 21.0X2.0	
22	301001750	1	ADAPTATEUR D. 30X5	
23	16443	1	JOINT TORIQUE 17.0X2.0	
24	13739	2	JOINT	
25	301001749	1	ADAPTATEUR D.20X4,8X30	

Part Notes:

[1] - 8-75, 8-82, 8-111, 8-125

[2] - 8-111ST, 8-125ST

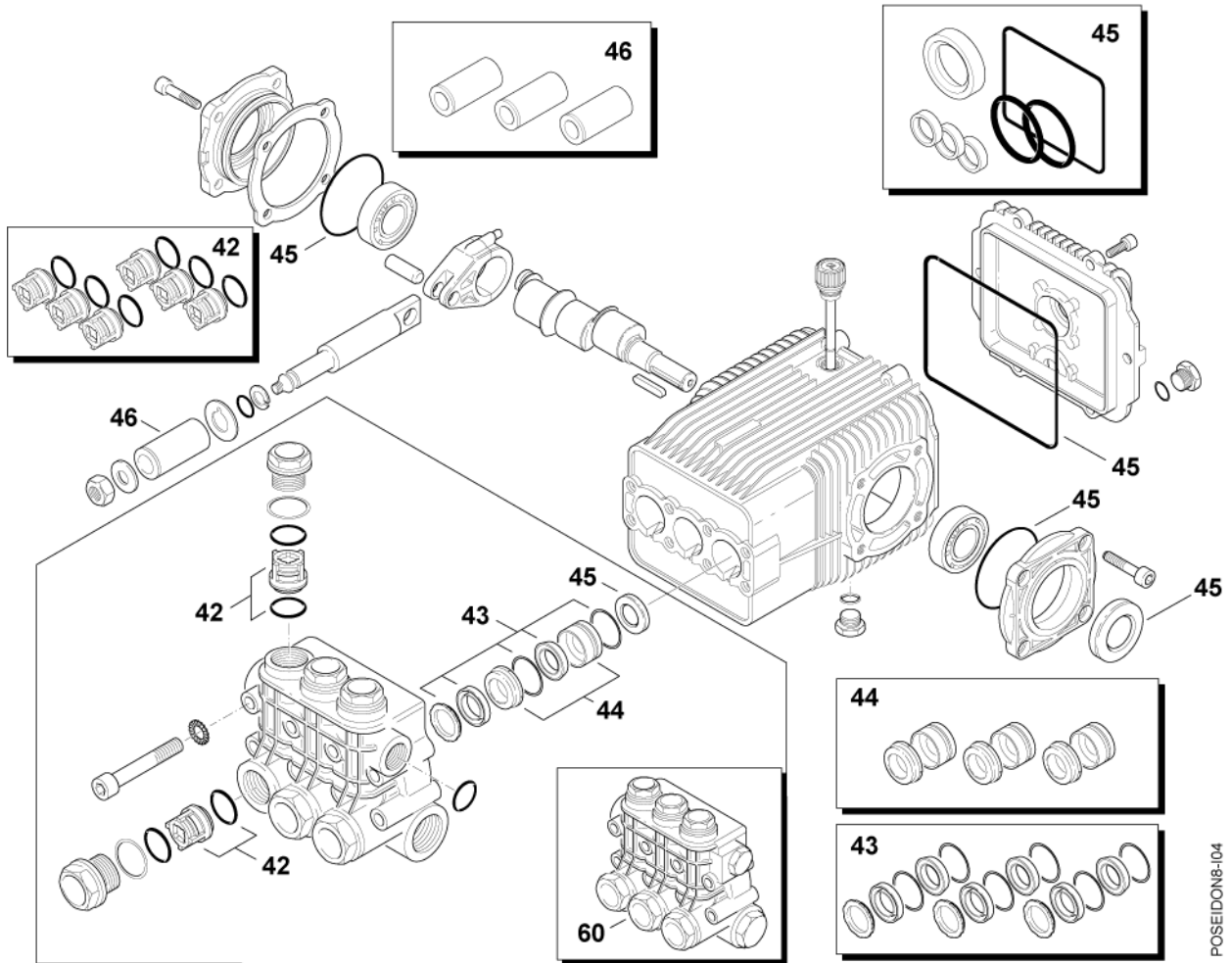


POSEIDON8-103

Pos.	Réf article	Qté	Désignation	Notes
0-	200060	1	HUILE SAE 15W40	[1]
1	301002025	6	RACCORD M28X1.5/SW27X33	
2	301002043	6	RONDELLE Ø 25.5X22	
3	3000825	12	JOINT TORIQUE 20.24X2.62	
4	301002027	1	CULASSE	[2]
4	106404435	1	CULASSE	[3]
4	301002813	1	CYLINDER HEAD N8-PUMP	[4]
5	909100367	8	RONDELLE FREIN D.10	
6	13860	8	VIS M10X80 ISO4762 ST 8.8/ZN	
7	56554	3	JOINT TORIQUE 14.0X1.78	
8	301001135	2	BOUCHON FILETÉ	
9	301001460	1	JAUGE D'HUILE	
10	3928	4	VIS M8X30	
11	2798	4	RONDELLE GROWER	
12	301002031	1	FLASQUE DE CORPS DE POMPE 80X80X D.94X8	
13	64361	2	ROULEMENT 32206	
14	301002036	1	COUVERCLE DE POMPE	
15	4697	6	VIS M6X16	
16	301002037	1	CORPS DE POMPE	
17	40312	1	KEY 8X7X40 DIN 6885A	
18	301002038	1	CRANKSHAFT	[5]
18	107140330	1	CRANKSHAFT	[6]
18	301002821	1	CRANKSHAFT N8-PUMP 36.15	[4]
19	301002047	3	BIELLE DE POUSSEE	
20	301002032	1	RONDELLE 80X80XØ	
20	301002034	1	ADJUSTING WASHER 80X80XØ94X0,19	
20	301002033	1	ADJUSTING WASHER 80X80XØ94X0,10	
20	301002035	1	ADJUSTING WASHER 80X80XØ94X0,25	
21	2788	4	VIS M8X16	
22	301002030	1	CAGE DE ROULEMENT 80X80X Ø 94X8	
23	301002044	3	BOULON	
24	301002046	3	TIGE DE PISTON	
25	301002048	3	RONDELLE D.13X10X1	
26	6480286	3	JOINT TORIQUE	
27	301002045	3	RONDELLE	[7]
27	301002820	3	ENTRETOISE	[4]
28	301002042	3	RONDELLE	
29	909100376	3	ECROU	
60	301002822	1	CORPS DE POMPE	[4]
60	106404438	1	VALVE BLOCK KIT Ø20	[3]
60	301002029	1	CORPS DE POMPE	[2]
99	106404434	1	PUMP N8.21.20	[6]
99	106404433	1	PUMP XW26.15	[8]
99	301002537	1	POMPE N8 36.15 N 36.5 L/MIN 150BAR	[4]
99	107140939	1	POMPE N8 30.20 N 30 L/MIN	[2]

Part Notes:

- [1] - 2,15L - OIL TYPES_QUANTITY for HPW_APRIL 2017
 [2] - POSEIDON 8-111 / MC 8P 180/2100
 [3] - 8-75, 8-82
 [4] - POSEIDON 8-125 / MC 8P 160/2500
 [5] - 8-82,
 POSEIDON 8-111 / MC 8P 180/2100
 [6] - 8-75
 [7] - 8-75, 8-82, POSEIDON 8-111 / MC 8P 180/2100
 [8] - 8-82



POSEIDON8-I04

Pos.	Réf article	Qté	Désignation	Notes
42	301002039	1	KIT CLAPET	
43	31000819	1	KIT JOINTS DE PISTON Ø28 A PARTIR 03/12	[1]
43	301002811	1	ENSEMBLE JOINTS DE PISTON	[2]
43	301002053	1	KIT JOINT	[3]
43	301002052	1	KIT JOINTS DE PISTON D.20	[4]
44	31001019	1	GUIDE PISTON Ø28 POUR 03/12	
44	301002054	1	KIT 3 BAGUES DE JOINT D.20	[4]
44	301002812	1	ENSEMBLE SUPPORTS DE	[5]
44	301002055	1	KIT JOINT	[3]
45	301002051	1	KIT JOINT	
46	301002049	1	KIT PISTON D20	[4]
46	301002050	1	KIT PISTON	[3]
46	301002810	1	KIT TETES CERAMIQUES DE PISTONS D28 3PCS	[5]
60	301002822	1	CORPS DE POMPE	[5]
60	301002029	1	CORPS DE POMPE	[3]
60	106404438	1	VALVE BLOCK KIT Ø20	[4]

Part Notes:

[1] - 8-125, 8-125ST

produced from week 03/2012

TSB-PPW-2014-005 Piston kit Poseidon 8-125

[2] - 8-125, 8-125ST

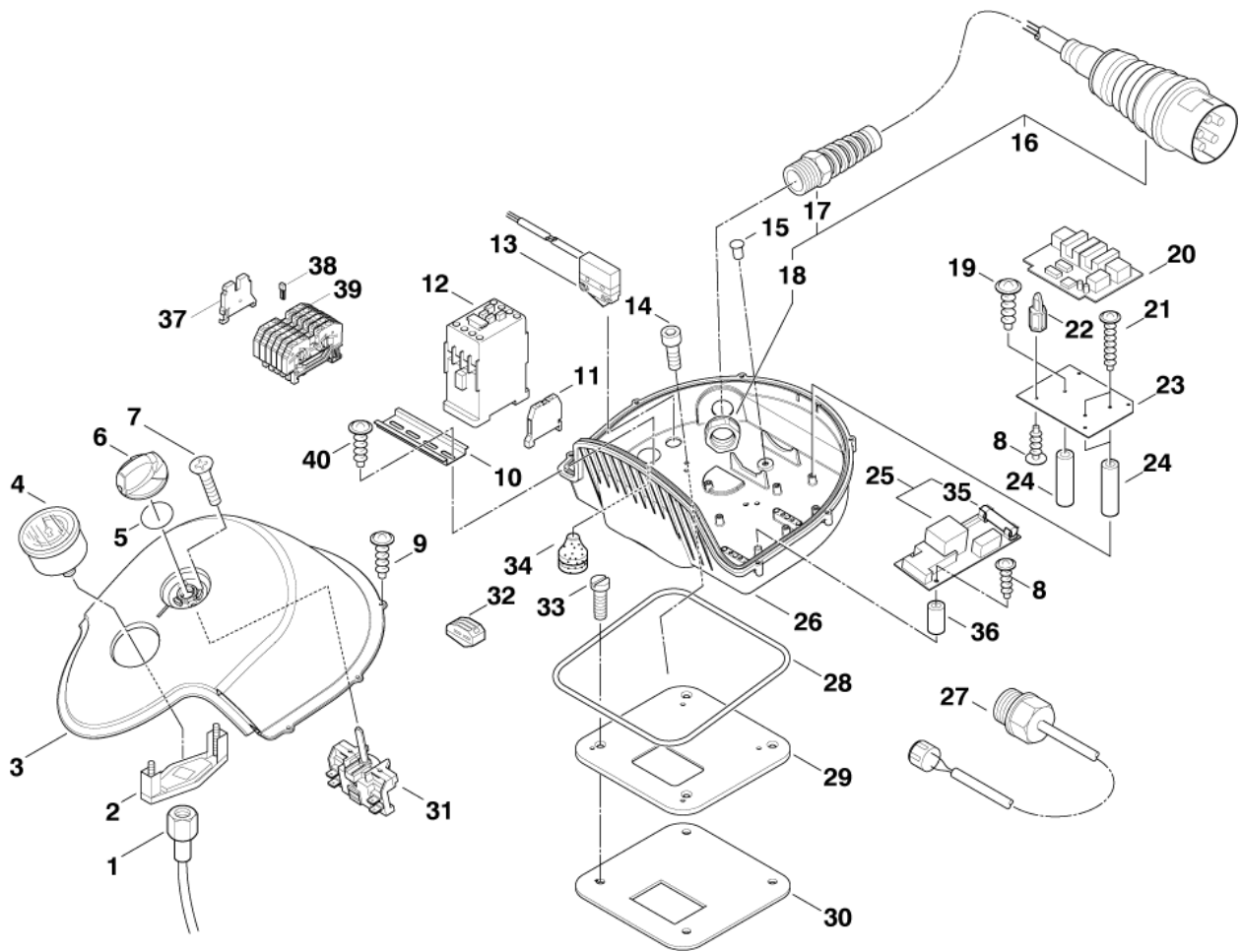
produced up to week 03/2012.

TSB-PPW-2014-005 Piston kit Poseidon 8-125

[3] - 8-111, 8-111ST

[4] - 8-75, 8-82

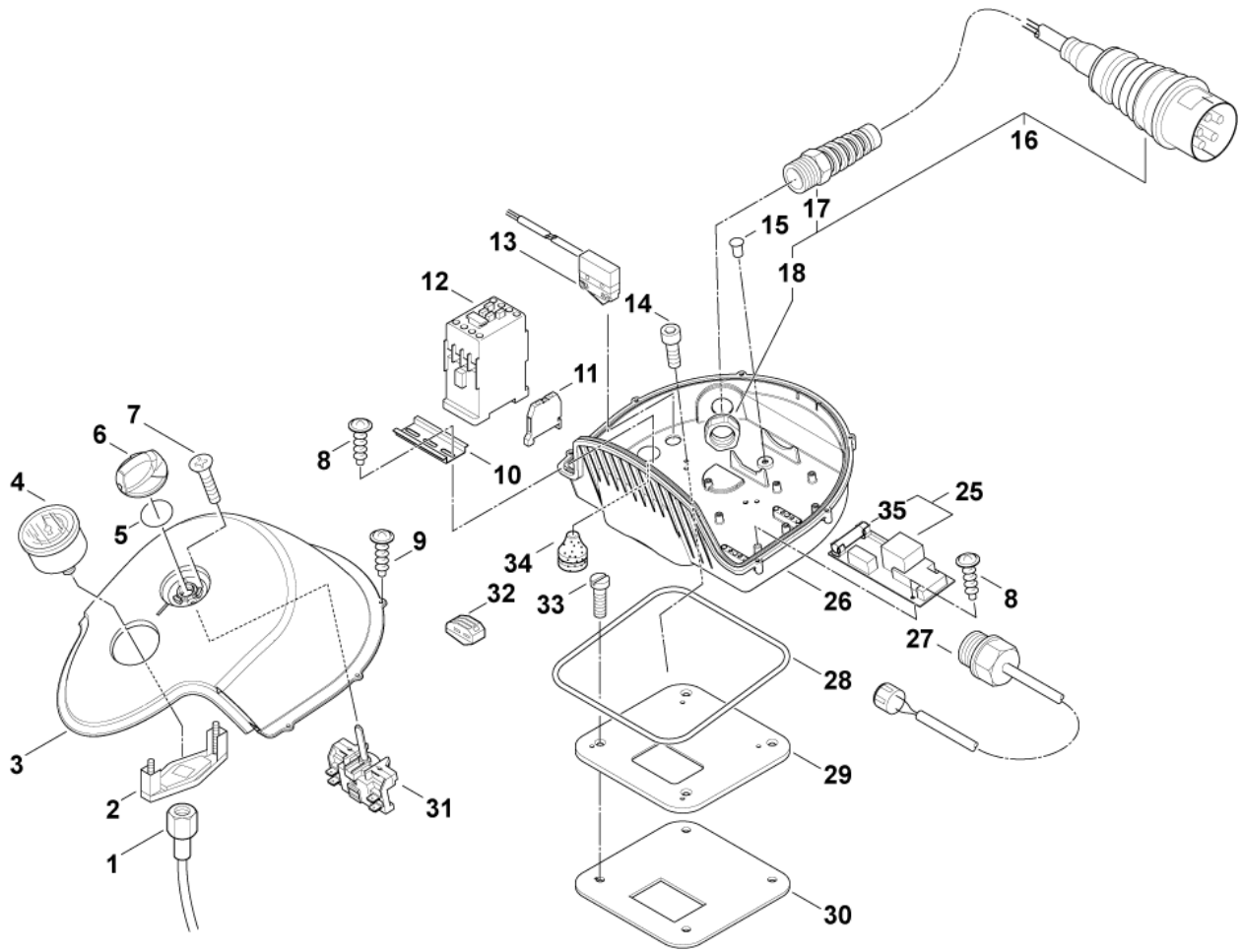
[5] - 8-125, 8-125ST



Pos.	Réf article	Qté	Désignation	Notes
1	301002672	1	TUYAU DE MANOMETRE DN4X410 400BAR	
2	301002671	1	CLAMP F. MANOMETER MOUNTING	
3	301002622	1	CAPOT POUR INTER	
4	49473	1	MANOMÈTRE	
5	9868	1	JOINT TORIQUE 10.2X2.5 NBR 70	
6	909100204	1	BOUTON TOURNANT 6X5 BLUE	
7	18274	2	VIS TETE FRAISEE M4X12	
8	909100046	10	VIS KA40X8	
9	1814585	6	VIS K30X12	
10	22290	1	PROFILÉ SUPPORT 1 M	
11	3817483	1	BORNIER	
12	103822308	1	CONTACTEUR CJX2-D25 25A 400V 3P+NO	
13	301000952	1	INTERRUPTEUR	
14	2777	4	VIS M4X10	
15	301001219	1	PLUG D6XD8X5.4 PE BLACK	
16	301001845	1	POWER CORD H07RN-F 4G2.5X6.0CEE5 32A6H	
17	909100043	1	RACCORD À VIS POUR CÂBLES	
18	909100019	1	ECROU M20X1.5	
19	5190	1	VIS	
20	301001743	1	CARTE ELECTRONIQUE	[1]
21	11255	2	VIS KA35X30	
22	4600771	4	CLIP 9.5 MM	[2]
23	301002616	1	MOUNTING PLATE 145X103X3 ABS	[3]
24	301002624	3	SPACER D13XD7.3XD4X30	[3]
25	301002620	1	CARTE ELECTRONIQUE SONDE	[4]
25	301003097	1	PLATINE ELECTRONIQUE	[5]
26	301002674	1	EL-BOX BASE	
27	301002621	1	SONDE THERMOSTATIQUE 60 C	
28	101406054	1	JOINT	
29	301002539	1	MOUNTING PLATE F. SWITCH BOX POSEIDON 8	
30	301002615	1	GASKET F. MOTOR SWITCH BOX POSEIDON 8	
31	301001058	1	INTERRUPTEUR 0-1 10A 400VAC	
32	301001229	6	CONNECTEUR GRIP GRIS 3X4QMM 400V 24A	
33	2776	4	COUNTERSUNK SCREW M4X10 ISO 2009 ZN	
34	3803764	1	PRESSE-ETOUPE TET 5-7C	
35	301000263	1	FUSIBLE	
36	101814812	2	WASHER	
37	103821922	1	SUPPORT DE BORNIER	
38	103822051	1	JUMPER WAGO 6Q	
39	103822050	6	WIRE TERMINAL 6MM2 WAGO 282	
40	101814810	2	SCREW 4.8 X 9.5	

Part Notes:

- [1] - Up to 03.04.2008
- [2] - Subtype local item
- [3] - Up to 03.04.2008
GUARANTEE DATE EXPIRED
- [4] - Up to 28.02.2007
GUARANTEE DATE EXPIRED
- [5] - From 01.03.2007



Pos.	Réf article	Qté	Désignation	Notes
1	301002672	1	TUYAU DE MANOMETRE DN4X410 400BAR	
2	301002671	1	CLAMP F. MANOMETER MOUNTING	
3	301002622	1	CAPOT POUR INTER	
4	49473	1	MANOMÈTRE	
5	9868	1	JOINT TORIQUE 10.2X2.5 NBR 70	
6	909100204	1	BOUTON TOURNANT 6X5 BLUE	
7	18274	2	VIS TETE FRAISEE M4X12	
9	1814585	6	VIS K30X12	
10	22290	1	PROFILÉ SUPPORT 1 M	
11	3817483	1	BORNIER	
12	103822308	1	CONTACTEUR CJX2-D25 25A 400V 3P+NO	
13	301000952	1	INTERRUPTEUR	
14	2777	4	VIS M4X10	
15	301001219	1	PLUG D6XD8X5.4 PE BLACK	
16	301001845	1	POWER CORD H07RN-F 4G2.5X6.0CEE5 32A6H	
17	909100043	1	RACCORD À VIS POUR CÂBLES	
18	909100019	1	ECROU M20X1.5	
25	301003097	1	PLATINE ELECTRONIQUE	
25	301002620	1	CARTE ELECTRONIQUE SONDE	[1]
26	301002674	1	EL-BOX BASE	
27	301002621	1	SONDE THERMOSTATIQUE 60 C	
28	101406054	1	JOINT	
29	301002539	1	MOUNTING PLATE F. SWITCH BOX POSEIDON 8	
30	301002615	1	GASKET F. MOTOR SWITCH BOX POSEIDON 8	
31	301001058	1	INTERRUPTEUR 0-1 10A 400VAC	
32	301001229	6	CONNECTEUR GRIP GRIS 3X4QMM 400V 24A	
33	2776	4	COUNTERSUNK SCREW M4X10 ISO 2009 ZN	
34	3803764	1	PRESSE-ETOUPE TET 5-7C	
35	301000263	1	FUSIBLE	
36	101814812	2	WASHER	
37	103821922	1	SUPPORT DE BORNIER	
38	103822051	1	JUMPER WAGO 6Q	
39	103822050	6	WIRE TERMINAL 6MM2 WAGO 282	
40	101814810	2	SCREW 4.8 X 9.5	

Part Notes:

[1] - GUARANTEE DATE EXPIRED

Pos.	Réf article	Qté	Désignation	Notes
0-	106403014	1	LANCE TORNADO PLUS 112 CM GROS DEBITS	[1]
0-	101119496	1	KIT RACCORDS RAPIDES M+F+ANTI CINTRAGE	
0-	106403123	1	PISTOLET ERGO 2000 VARIO PRESS	
0-	106403122	1	PISTOLET ERGO 2000 STANDARD	[2]
0-	106403010	1	LANCE TORNADO PLUS COURBEE L112	[3]
00	101119758	1	BUSE TORNADO PLUS 1200	[4]
00	301150004	1	BUSE TORNADO 1590	[5]
00	101117655	1	BUSE TORNADO PLUS 0950	[6]
00	106402190	1	PISTOLET ERGO 3000 STANDARD	[7]
00	101119748	1	BUSE TORNADO PLUS 0700	[8]
01	4810213	1	FLEXIBLE HP 15M DN12 2X3/8M	[9]
01	1402064	1	FLEXIBLE HP 15M DN10 2X3/8M	[9]

Part Notes:

- [1] - No replacement
- [2] - 106403122 - ERGO 2000 Spray handle
- [3] - TORNADO PLUS lance
- [4] - 8-111
- [5] - 8-125
- [6] - 8-82
- [7] - Up to April 2011
106402190, 106402191 - ERGO 3000 Spray handle with swivel lock - from 15.09.03
- [8] - 8-75
- [9] - HOSES Overview

Pos.	Réf article	Qté	Désignation	Notes
0A	301002053	1	KIT JOINT	[1]
0A	301002055	1	KIT JOINT	[1]
0A	64314	1	KIT DE RÉPARATION POUR PISTON DISTRIBUTE	[1]
0A	301000263	1	FUSIBLE	[1]
0A	101117926	1	FILTRE	[1]
0A	301002812	1	ENSEMBLE SUPPORTS DE	[1]
0A	301002051	1	KIT JOINT	[1]
0A	301002039	1	KIT CLAPET	[1]
0A	9858	1	JOINT TORIQUE 6.0X3.0	[1]
0A	301002811	1	ENSEMBLE JOINTS DE PISTON	[1]
0A	6187135	1	PISTON	[1]
0A	301002054	1	KIT 3 BAGUES DE JOINT D.20	[1]
0A	301002052	1	KIT JOINTS DE PISTON D.20	[1]
0B	32091	1	JOINT TORIQUE 21.0X2.0	[2]
0B	16443	1	JOINT TORIQUE 17.0X2.0	[2]
0B	301002667	1	RACCORD BANJO	[2]
0B	13739	1	JOINT	[2]
0B	24347	1	JOINT TORIQUE 21.0X2.5	[2]
0B	107318254	1	JOINT TORIQUE 24X2.0 NBR70	[2]
0C	106408266	1	MOTOR NP8 - 11KW/230/400V/50HZ/3PH	[3]
0C	301001743	1	CARTE ELECTRONIQUE	[3]
0C	301002810	1	KIT TETES CERAMIQUES DE PISTONS D28 3PCS	[3]
0C	301000952	1	INTERRUPTEUR	[3]
0C	301002050	1	KIT PISTON	[3]
0C	301002049	1	KIT PISTON D20	[3]
0C	49473	1	MANOMÈTRE	[3]
0C	301003097	1	PLATINE ELECTRONIQUE	[3]
0C	301000778	1	RACCORD	[3]
0C	301001058	1	INTERRUPTEUR 0-1 10A 400VAC	[3]
0C	103822308	1	CONTACTEUR CJX2-D25 25A 400V 3P+NO	[3]
0C	301002672	1	TUYAU DE MANOMETRE DN4X410 400BAR	[3]
0C	909100380	1	ROLLER BEARING 6208-2ZC3	[3]

Part Notes:

- [1] - A
 [2] - B
 [3] - C

