

# PARTS LIST

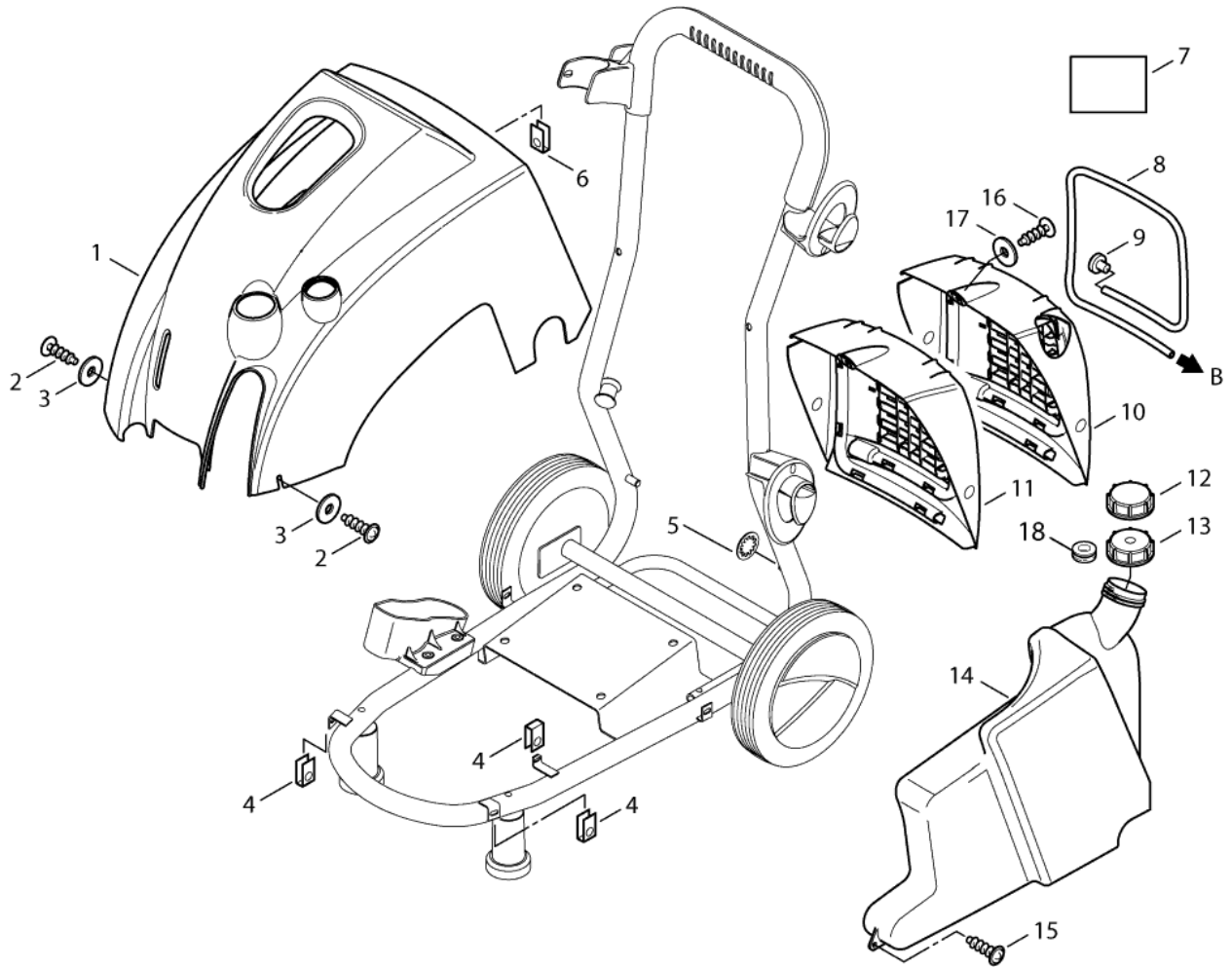


2019.04.30

# TABLE OF CONTENTS

---

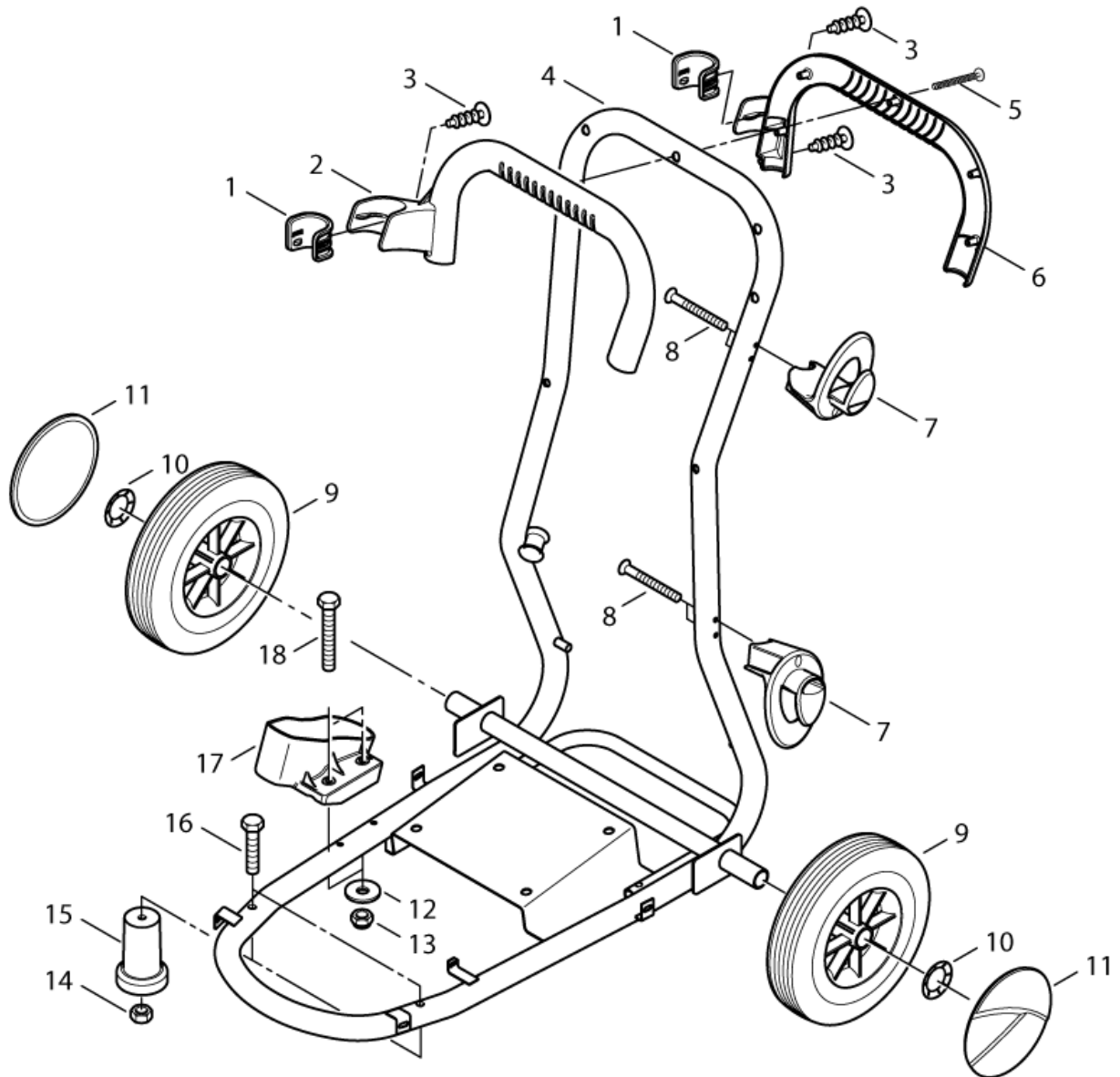
Cabinet.....	1
Frame.....	3
Motor.....	5
Pump, oiltank.....	8
Pump, kits.....	10
Control safety block (a).....	12
Cylinder block.....	14
Control safety block (b).....	16
Pumps complete.....	18
Electric box.....	20
Default accessories.....	24
301001310 - Hose reel old POSEIDON 5.....	26
Recommended spare parts.....	28



Pos.	Réf article	Qté	Désignation	Notes
1	301000763	1	CAPOT	[1]
2	40107	2	VIS 4,8X13	[1]
3	2763	2	RONDELLE 53X1	
4	63946	3	ECROU 4.8X3 MM	
5	5639	1	FIXATION RAPIDE	[1]
6	909100161	1	ENTRETOISE 3.9X2.5-2.9	[1]
7	48083	1	ETIQUETTE 40X60	[1]
8	106408243	1	TUBE TRANSPARENT DE 5M 1/4INCH	
9	6400240	1	CRÉPINE D'ASPIRATION	
10	301000759	1	CAPOT ARRIERE	[2]
11	301000838	1	CAPOT ARRIERE	[3]
12	106408247	1	BOUCHON DE RESERVOIR DETERGENT Ø65X20.5	
13	107140889	1	CLOSING CAP WITH D10 HOLE	
14	301000761	1	CUVE	[1]
15	40107	1	VIS 4,8X13	[1]
16	30776	1	VIS TOLE	[1]
17	24353	1	RONDELLE	[1]
18	101117749	1	CABLE GROMMET	

Part Notes:

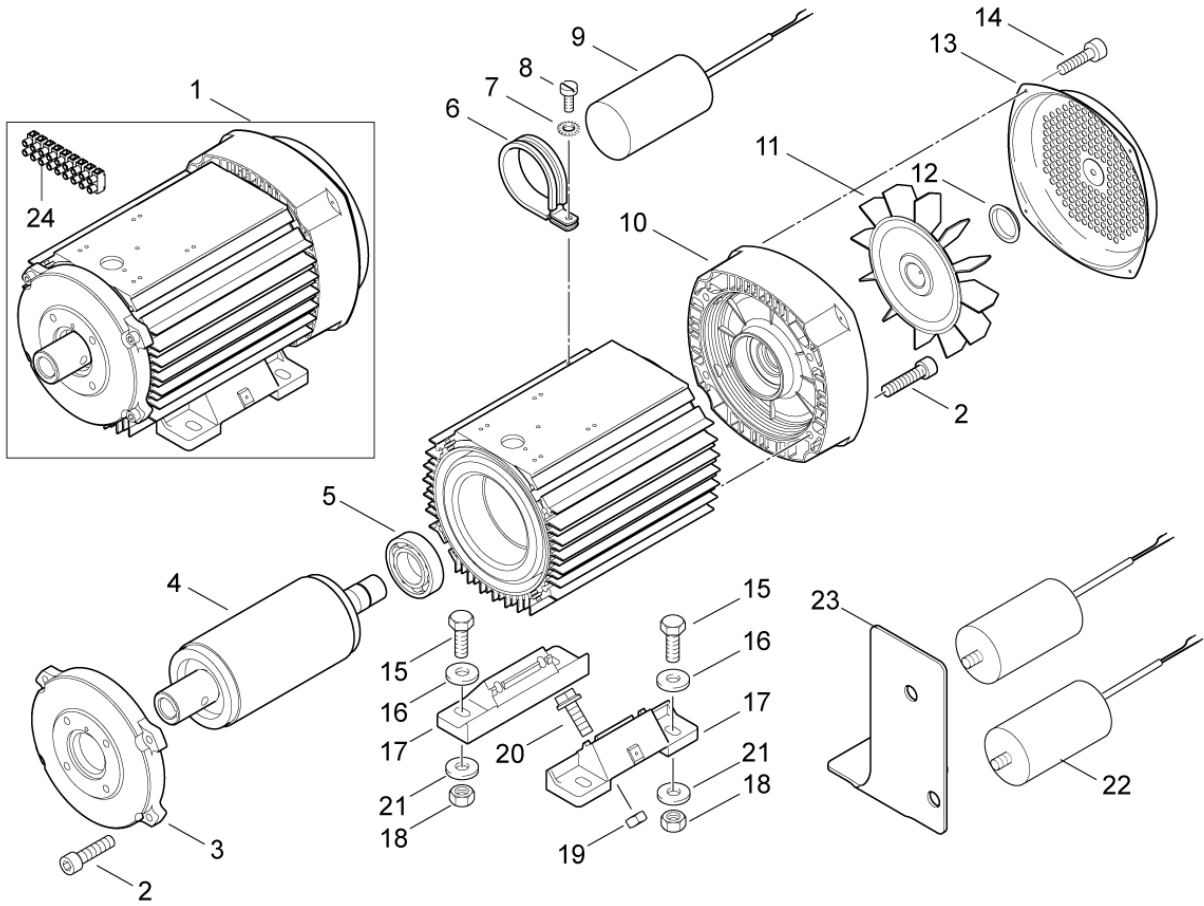
- [1] - STOCK COVERS GUARANTEE
- [2] - on models with hose reel  
STOCK COVERS GUARANTEE
- [3] - on models without hose reel  
STOCK COVERS GUARANTEE



Pos.	Réf article	Qté	Désignation	Notes
01	101117995	2	INSERT	[1]
02	101117962	1	MONTURE DE POIGNÉE	
03	909100147	3	VIS M 4 X 12MM	[1]
04	301000762	1	CHÂSSIS	[1]
05	909100187	5	VIS K40X25 T20	[1]
06	101117963	1	MONTURE DE POIGNÉE	
07	301000808	2	SUPPORT	
08	909100149	4	VIS K50X50	
09	301000989	2	ROUE	
10	1813799	2	CIRCLIP	
11	301001076	2	ENJOLIVEUR D180	
12	2766	2	RONDELLE 6,4X1,6	
13	3136	2	ECROU M6	
14	61467	2	ECROU HEX M8	
15	301000979	2	PIED SUPPORT	
16	2756	2	VIS M8X45	
17	301000774	1	FOURREAU	
18	17749	2	VIS M6X45	[1]

Part Notes:

[1] - STOCK COVERS GUARANTEE



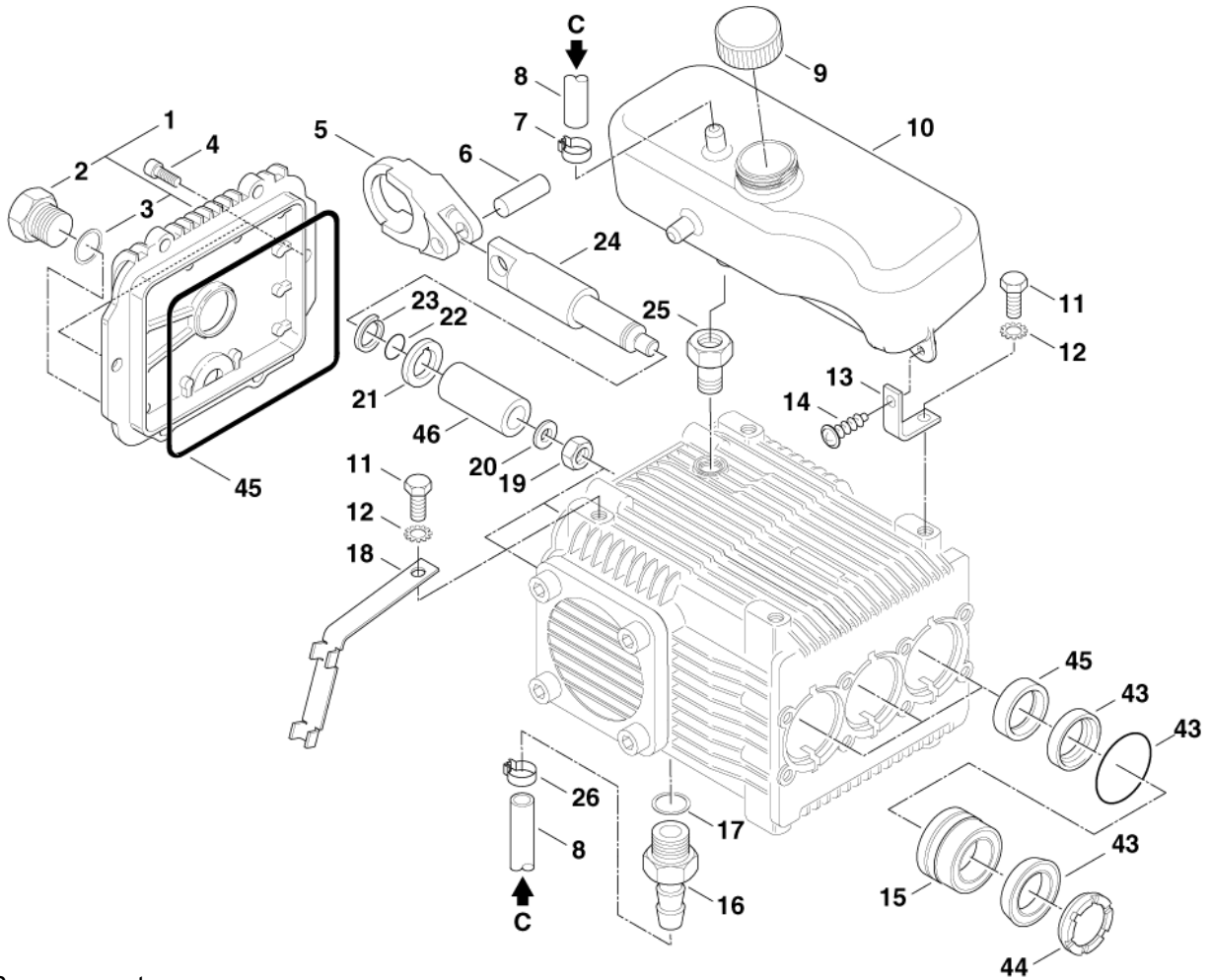
Pos.	Réf article	Qté	Désignation	Notes
1	101118024	1	MOTOR 5.2KW 200/346 3PH	[1]
1	101118028	1	MOTOR 1.4KW/120/1	[2]
1	101118018	1	MOTEUR ELD112 2,2KW 230V 1PH	[3]
1	101118020	1	MOTEUR ÉLECTRIQUE 400 V/50 HZ	[4]
1	101118019	1	MOTEUR ÉLECTRIQUE 400 V/50 HZ	[5]
1	101118025	1	MOTOR 5.2KW/220/1 MEC112	[6]
1	101118021	1	MOTEUR ÉLECTRIQUE 400 V/50 HZ	[7]
2	15045	8	VIS M6X35	[8]
2	6863	8	VIS M8X35	[9]
3	301001120	1	COUVERCLE DE ROULEMENT	[8]
3	301001119	1	COUVERCLE DE ROULEMENT	[9]
4	301001665	1	ROTOR MOTOR 5.2KW	[10]
4	301001122	1	ROTOR	[11]
4	301001124	1	ROTOR	[12]
4	301001123	1	ROTOR	[13]
4	301001121	1	ROTOR 230 V/50 HZ	[14]
4	301001662	1	ROTOR MOTOR 1.4KW	[15]
5	6367	1	ROULEMENT	[8]
5	5905	1	ROULEMENT	[9]
6	301001093	1	COLLIER	[16]
7	3376	1	RONDELLE FREIN D 5	[17]
8	3348	1	VIS M5X10	[16]
9	301001595	1	CAPACITOR	[18]
9	301001017	1	CONDENSATEUR 60 µF	[3]
9	301001465	2	CAPACITOR	[6]
10	301001114	1	COUVERCLE DE ROULEMENT	[8]
10	301001113	1	COUVERCLE DE ROULEMENT	[9]
11	301001118	1	VENTILATEUR	[8]
11	301001117	1	VENTILATEUR	[9]
12	301001112	1	ANNEAU DE SERRAGE	
13	301001115	1	BAGUE DE VENTILATEUR	[9]
13	301001116	1	BAGUE DE VENTILATEUR	[8]
14	8822	4	VIS 3.5X9.5	
15	1801133	4	SCREW M10X25 ISO4017 ZN	
16	4827	4	RONDELLE HOME CLEANER	
17	301001127	2	SUPPORT MOTEUR H51 MM	[8]
17	301001126	2	PIED D'APPUI DU MOTEUR	[9]
18	8952	4	ECROU M10 ISO 10511	
19	1800515	4	ECROU FREIN M8	
20	27372	4	VIS M8X20	
21	2767	4	RONDELLE 10.5X2	
22	103822210	2	CONDENSATEUR DE DEMARRAGE 60X100 100µF	[19]
23	107140156	1	FITTING FOR CAPACITOR POSEIDON 5	[20]
24	101117839	1	BORNIER	

## Part Notes:

- [1] - 5-46  
STOCK COVERS GUARANTEE
- [2] - 5-21  
GUARANTEE DATE EXPIRED
- [3] - 5-28, 5-31
- [4] - 5-54, 5-58
- [5] - 5-43 50HZ
- [6] - 5-51  
STOCK COVERS GUARANTEE
- [7] - 5-62, 5-63
- [8] - 5-21, 5-28, 5-31
- [9] - 5-43, 5-46, 5-51, 5-54, 5-58, 5-62, 5-63
- [10] - 5-51  
ONLY COMPLETE MOTOR



- [11] - 5-43  
ONLY COMPLETE MOTOR
- [12] - 5-62, 5-63  
ONLY COMPLETE MOTOR
- [13] - 5-46, 5-54, 5-58  
ONLY COMPLETE MOTOR
- [14] - 5-28, 5-31  
ONLY COMPLETE MOTOR
- [15] - 5-21  
ONLY COMPLETE MOTOR
- [16] - 5-21, 5-28, 5-31, 5-51  
STOCK COVERS GUARANTEE
- [17] - 5-21, 5-28, 5-31, 5-51
- [18] - 5-21  
STOCK COVERS GUARANTEE
- [19] - GUARANTEE DATE EXPIRED
- [20] - STOCK COVERS GUARANTEE



POSEIDON51-05

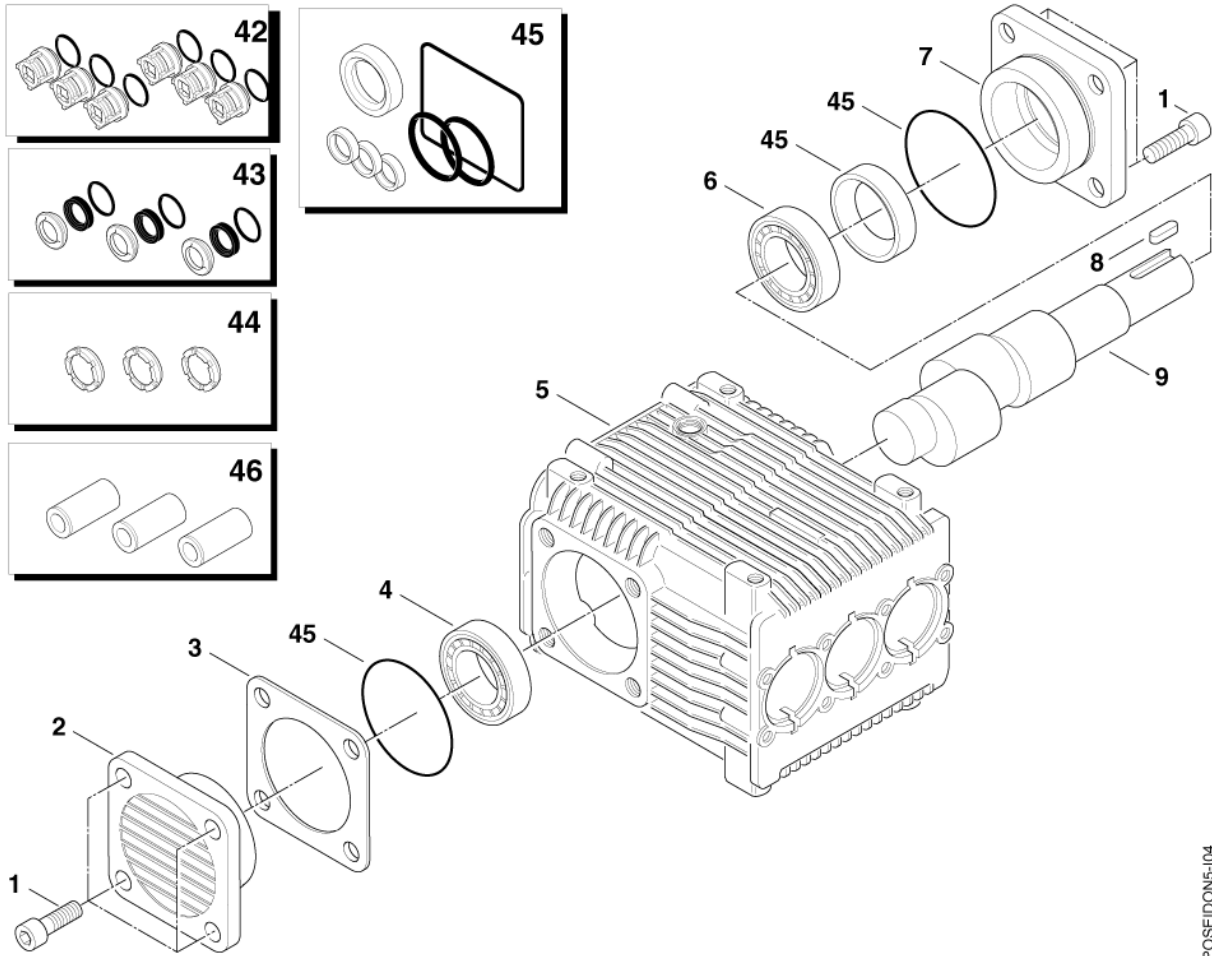
Resource notes:

\* NOTE: BRONZE: 5-43, 5-46, 5-51, 5-54, 5-58, 5-62, 5-63 \*\*\* NOTE: 5-21, 5-28, 5-31, 5-43, 5-46, 5-51, 5-54, 5-58, 5-62 60HZ

Pos.	Réf article	Qté	Désignation	Notes
0-	200060	1	HUILE SAE 15W40	[1]
1	301001158	1	COUVERCLE	
2	301001135	1	BOUCHON FILETÉ	
3	56554	1	JOINT TORIQUE 14.0X1.78	
4	909100158	6	VIS M6X14	
5	301001168	3	BIELLE	[2]
6	301001138	3	BOULON	
7	11654	1	COLLIER D. 11,5	
9	301001005	1	COUVERCLE	[3]
10	301000765	1	RÉSERVOIR D'HUILE	
11	8919	2	VIS 6 PANS M8X12	
12	2803	2	RONDELLE	[3]
13	301000975	1	SUPPORT	[3]
14	1814585	1	VIS K30X12	
15	301001155	3	DOUILLE	[4]
15	301001154	3	DOUILLE	[5]
16	2580	1	RACCORD POUR TUYAU FLEXIBLE	
17	56554	1	JOINT TORIQUE 14.0X1.78	
18	301000807	1	SUPPORT	[3]
19	909100167	3	ÉCROU À SIX PANS M8	
20	909100165	3	ANNEAU DE JOINT	
21	301001139	3	RONDELLE D'ÉCARTEMENT	
22	3001740	3	JOINT TORIQUE 7.66X1.78	
23	49900	3	BAGUE 8.0X11.0X1.0	
24	301001156	3	GUIDE-PISTON	
25	909100150	1	RACCORD À VIS	[3]
26	301001133	1	COLLIER D10/7	
43	301001148	1	JEU DE JOINTS DE PISTONS Ø 18 MM	[5]
43	301001149	1	JEU DE JOINTS DE PISTONS Ø 20 MM	[4]
44	301001151	1	JEU D'ANNEAUX ANTI-EXTRUSION	[5]
44	301001152	1	JEU D'ANNEAUX ANTI-EXTRUSION	[4]
45	301001150	1	JEU DE JOINTS ÉTANCHES À L'HUILE	
46	301001146	1	JEU DE PISTONS Ø 18 MM	[5]
46	301001147	1	JEU DE PISTONS Ø 20 MM	[4]

## Part Notes:

- [1] - Pump oil SAE 15W 40, 045 I - OIL TYPES\_QUANTITY for HPW\_APRIL 2017  
 [2] - \* SEE NOTE  
 [3] - STOCK COVERS GUARANTEE  
 [4] - 5-62 50HZ, 5-63  
 [5] - \*\*\* SEE NOTE



Resource notes:

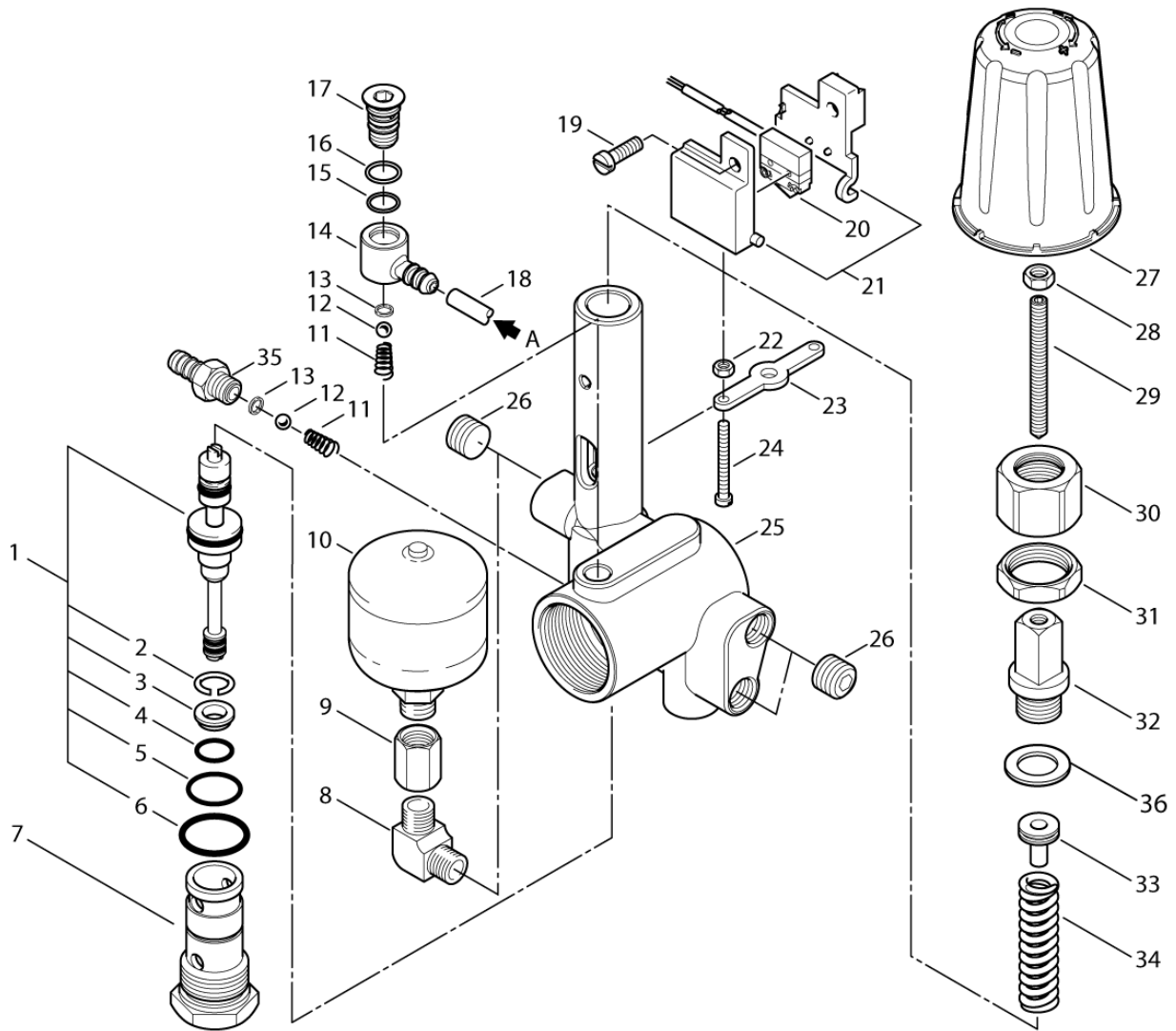
\* NOTE: 5-21, 5-28, 5-31, 5-43, 5-46, 5-51, 5-54, 5-58, 5-62 60HZ

POSEIDON5-104

Pos.	Réf article	Qté	Désignation	Notes
01	2788	8	VIS M8X16	
02	301001166	1	COUVERCLE DE ROULEMENT	
03	301001142	1	RONDELLE D'AJUSTAGE 0,25 MM	
03	301001140	1	RONDELLE D'AJUSTAGE 0,05 MM	
03	301001143	1	ENTRETOISE 80X80X0.25	
03	301001141	1	RONDELLE D'AJUSTAGE 0,1 MM	
04	909100163	1	ROULEMENT	
05	301001157	1	CARTER DE POMPE	
06	909100162	1	ROULEMENT	
07	301001167	1	COUVERCLE DE ROULEMENT	
08	19639	1	CLAVETTE VILEBREQUIN	
09	301001658	1	CRANKSHAFT NO.11	[1]
09	301001163	1	ARBRE À CAMES	[2]
09	301001165	1	ARBRE À CAMES	[3]
09	301001162	1	CRANKSHAFT NO.5	[4]
09	301001164	1	CRANKSHAFT NO.2	[5]
09	301001161	1	VILEBREQUIN POUR POMPE	[6]
09	301001657	1	CRANKSHAFT NO.7	[7]
09	301001659	1	ARBRE DE POMPE	[8]
42	301001153	1	JEU DE SOUPAPES	
43	301001148	1	JEU DE JOINTS DE PISTONS Ø 18 MM	[9]
43	301001149	1	JEU DE JOINTS DE PISTONS Ø 20 MM	[10]
44	301001151	1	JEU D'ANNEAUX ANTI-EXTRUSION	[9]
44	301001152	1	JEU D'ANNEAUX ANTI-EXTRUSION	[10]
45	301001150	1	JEU DE JOINTS ÉTANCHES À L'HUILE	
46	301001147	1	JEU DE PISTONS Ø 20 MM	[10]
46	301001146	1	JEU DE PISTONS Ø 18 MM	[9]

Part Notes:

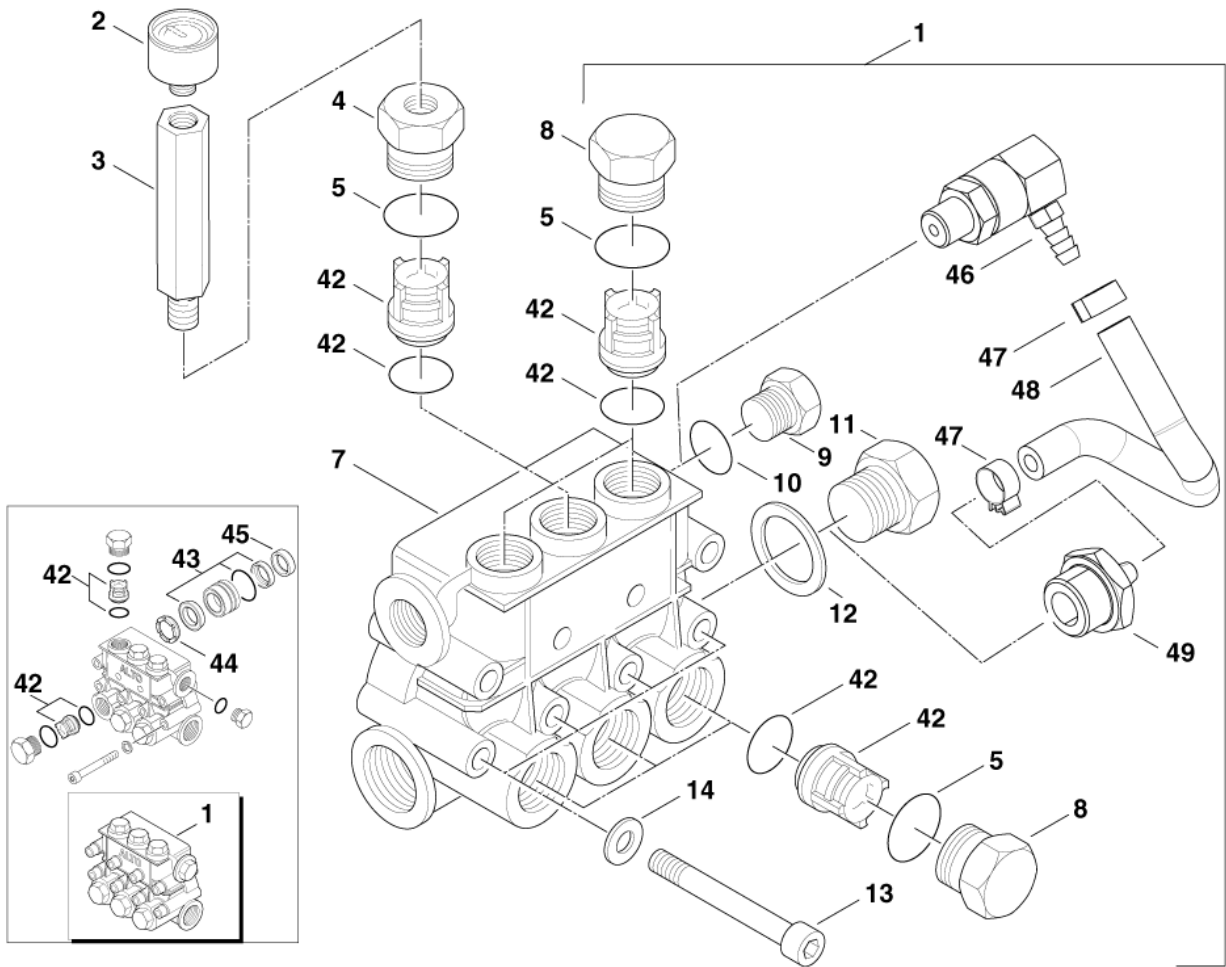
- [1] - 5-28 60HZ
- [2] - 5-43, 5-46 50HZ, 5-62 50HZ
- [3] - 5-51, 5-54 50HZ, 5-63
- [4] - 5-31, 5-46 60Hz
- [5] - 5-62 60HZ
- [6] - 5-28 50HZ
- [7] - 5-21  
GUARANTEE DATE EXPIRED
- [8] - 5-54 60HZ, 5-58
- [9] - \* SEE NOTE
- [10] - 5-62 50HZ, 5-63



Pos.	Réf article	Qté	Désignation	Notes
1	64314	1	KIT DE RÉPARATION POUR PISTON DISTRIBUTE	
2	909100001	1	BAGUE FENDUE D14	
3	62708	1	BAGUE DE LOGEMENT DE SOUPAPE	
4	49461	1	JOINT TORIQUE 11.0X1.5	
5	9523	1	JOINT TORIQUE 17.0X1.5	
6	32091	1	JOINT TORIQUE 21.0X2.0	
7	64301	1	VIS CREUSE	
8	1618	1	PIÈCE DE RACCORDEMENT	[1]
9	63136	1	PIÈCE DE RACCORDEMENT	[1]
10	63090	1	RÉSERVOIR HYDRAULIQUE	[1]
11	41132	1	RESSORT	[2]
12	9580	1	BILLE D5.5	
13	301001216	1	BAGUE DE LOGEMENT DE SOUPAPE	
14	301001200	1	EMBOUT DN7 D12/11	[3]
15	3001740	1	JOINT TORIQUE 7.66X1.78	[4]
16	7424	1	JOINT TORIQUE	[4]
17	301001199	1	VIS CREUSE	[3]
18	106408243	1	TUBE TRANSPARENT DE 5M 1/4INCH	
19	3349	1	VIS M5X16	
20	301000952	1	INTERRUPTEUR	[5]
20	101118011	1	INTERRUPTEUR	[6]
21	62401	1	SUPPORT	
22	2759	1	ECROU M8	
23	62717	1	LEVIER	
24	101117739	1	VISHEX M4X22-8.8 A2K DIN912	
25	301000787	1	CORPS	
26	6262	3	VIS	
27	301000804	1	BOUTON	
28	3136	1	ECROU M6	
29	62711	1	TIGE FILETEE M6X60	
30	62710	1	ÉCROU-CHAPEAU	
31	62696	1	ECROU HEX M24X1.5X6	
32	62712	1	VIS CREUSE	
33	62695	1	SUPPORT DE RESSORT	
34	40972	1	RESSORT	
35	301001392	1	PIÈCE DE RACCORDEMENT	[7]
36	103004451	1	RONDELLE	
99	301000904	1	CONTROLEUR DE PRESSION	

## Part Notes:

- [1] - 5-21, 5-51, 5-58, 5-63
- [2] - STOCK COVERS GUARANTEE
- [3] - =>28.12.2003]  
ALTERNATIVE USE 301001392
- [4] - =>28.12.2003]
- [5] - WITH, MIT ELECTRONICS
- [6] - WITHOUT, OHNE ELECTRONICS
- [7] - |29.12.2003=>



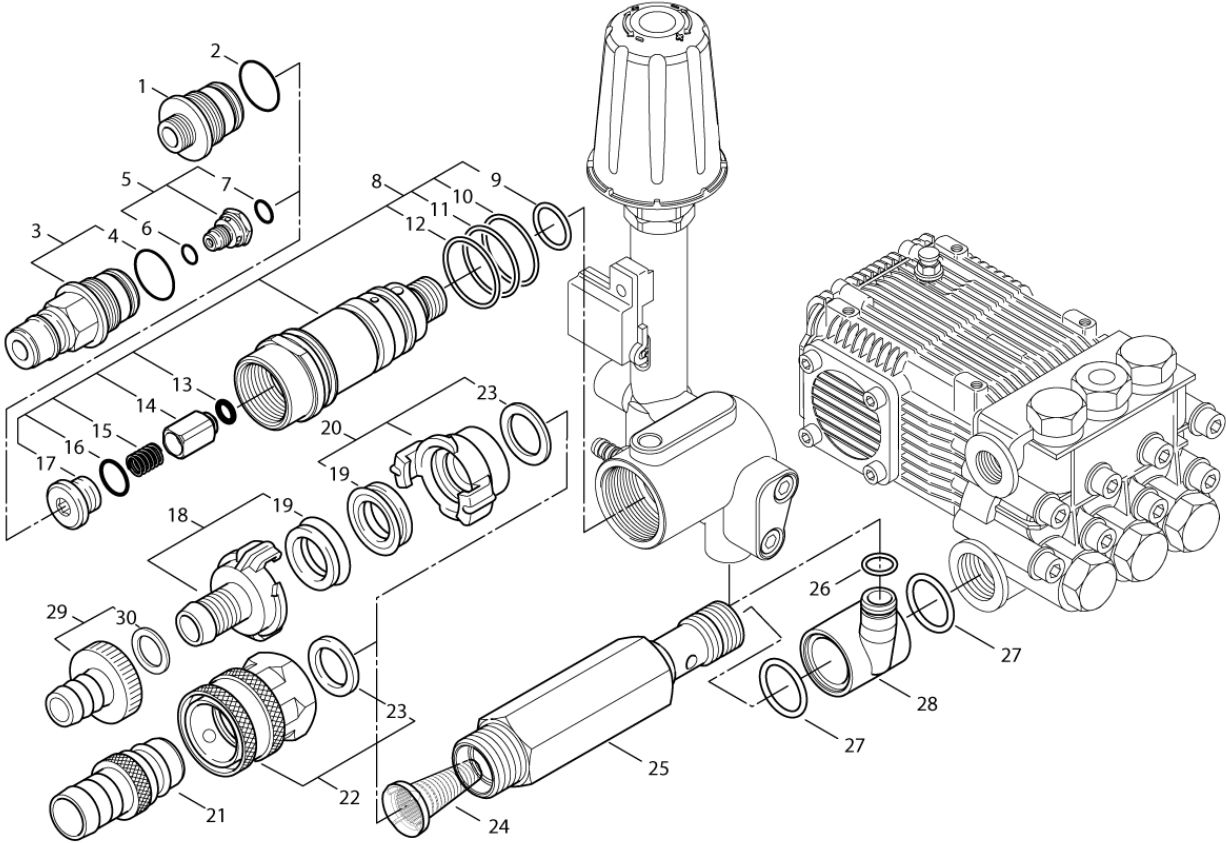
POSEIDON5-103



Pos.	Réf article	Qté	Désignation	Notes
01	301001170	1	BLOC DE SOUPAPES	[1]
01	301001171	1	BLOC DE SOUPAPES	[2]
02	301000246	1	MANOMÈTRE	
03	301000982	1	RALLONGE	
04	301000981	1	PIÈCE DE RACCORDEMENT	
05	103004342	6	JOINT TORIQUE 17.86X2.62	
07	301001172	1	BLOC DE SOUPAPES	
08	301001137	5	BOUCHON FILETÉ	
09	301001134	1	BOUCHON FILETÉ	
10	1409	1	JOINT D17X23	
11	301001136	1	BOUCHON FILETÉ	
12	5127	1	ANNEAU DE JOINT	
13	1814597	8	VIS M8X70	
14	909100168	8	CIRCLIP D8	
42	301001153	1	JEU DE SOUPAPES	
43	301001149	1	JEU DE JOINTS DE PISTONS Ø 20 MM	[2]
43	301001148	1	JEU DE JOINTS DE PISTONS Ø 18 MM	[3]
44	301001152	1	JEU D'ANNEAUX ANTI-EXTRUSION	[2]
44	301001151	1	JEU D'ANNEAUX ANTI-EXTRUSION	[3]
45	301001150	1	JEU DE JOINTS ÉTANCHES À L'HUILE	
46	301002483	1	SOUPAPE	[4]
47	7239	2	COLLIER DE SERRAGE	[5]
48	9175	1	HOSE	[6]
49	107120313	1	RACCORD DE FLEXIBLE	[5]

## Part Notes:

- [1] - 5-21, 5-28, 5-31, 5-43, 5-46, 5-51, 5-54, 5-58, 5-62 60HZ, Pos. 46-49 not included
- [2] - 5-62 50HZ, 5-63
- [3] - 5-21, 5-28, 5-31, 5-43, 5-46, 5-51, 5-54, 5-58, 5-62 60HZ
- [4] - 5-51, not included in Pos. 1  
STOCK COVERS GUARANTEE
- [5] - 5-51, not included in Pos. 1
- [6] - 5-51, not included in Pos. 1, \*\*\* SEE NOTE



Pos.	Réf article	Qté	Désignation	Notes
01	64224	1	VIS CREUSE	
02	32091	1	JOINT TORIQUE 21.0X2.0	
03	64236	1	RACCORD M27X1.5 EXTERIEUR	
04	32091	1	JOINT TORIQUE 21.0X2.0	
05	62155	1	BUSE 1,8/2,6	[1]
05	62157	1	BUSE 2,0/3,0	[2]
05	62156	1	BUSE 1,9/2,8	[3]
06	16925	1	JOINT TORIQUE	
07	1381	1	JOINT TORIQUE	
08	64304	1	VIS CREUSE	
09	16443	1	JOINT TORIQUE 17.0X2.0	
10	64307	1	JOINT TORIQUE 23.47X2.62	
11	64306	1	JOINT TORIQUE 25.07X2.62	
12	64305	1	JOINT TORIQUE 28.24X2.62	
13	9858	1	JOINT TORIQUE 6.0X3.0	
14	6187135	1	PISTON	
15	6182972	1	RESSORT	[4]
16	16998	1	JOINT TORIQUE 14.0X1.5	
17	64309	1	BOUCHON FILETÉ	
18	1311	1	RACCORD LAITON GEKA 3/4"M 19MM	[5]
19	6502	1	JOINT	[5]
20	1718	1	RACCORD LAITON GEKA 3/4"F	[5]
21	1600659	1	RACCORD RAPIDE NITO 3/4"M 19MM	
21	1605955	1	RACCORD RAPIDE ENTREE	[6]
22	1602945	1	RACCORD RAPIDE NITO 3/4"F	
23	3001237	1	JOINT	
24	101117926	1	FILTRE	
25	301000980	1	VIS CREUSE	
26	13739	1	JOINT	
27	24347	2	JOINT TORIQUE 21.0X2.5	
28	301000778	1	RACCORD	
29	61369	1	RACCORD LAITON ENTREE EAU 3/4" 19MM	
30	46487	1	JOINT M21XM29	

## Part Notes:

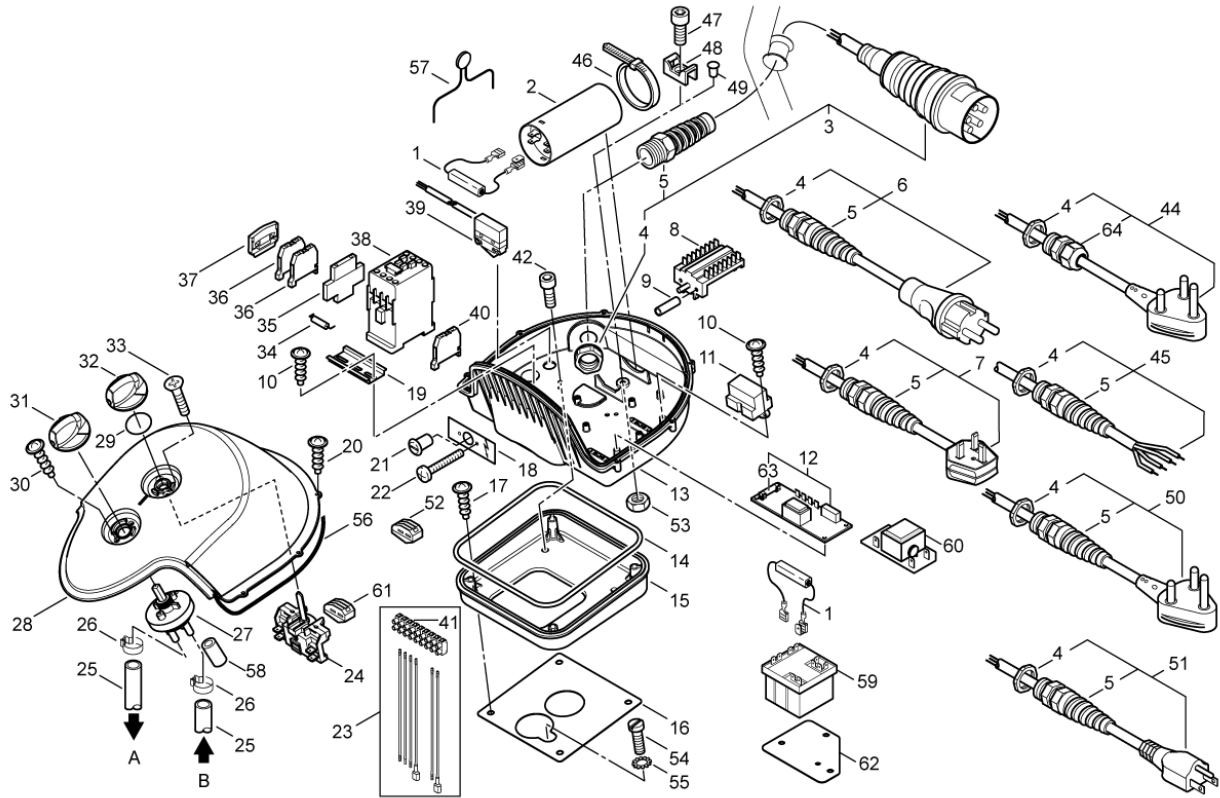
- [1] - 5-21, 5-28, 5-31, 5-43  
STOCK COVERS GUARANTEE
- [2] - 5-63  
STOCK COVERS GUARANTEE
- [3] - 5-51, 5-54, 5-46, 5-58, 5-62
- [4] - STOCK COVERS GUARANTEE
- [5] - =>31.01.2005]
- [6] - \*US\*



Pos.	Réf article	Qté	Désignation	Notes
	301000793	1	POMPE NP5 19-20	[1]
	301000995	1	POMPE NP5 11-20	[2]
	301000789	1	POMPE NP5 11.14N 140BAR	[3]
	301001463	1	POMPE CPLETE NEPTUNE 5	[4]
	301000791	1	POMPE NP5 15-20	[5]
	301000790	1	POMPE NP5 13-20	[6]
	301001580	1	PUMP NP5 28G22 N 10L/MIN 150BAR ALTO	[7]
	301001462	1	POMPE NP5 4G30 N15L/MIN 200BAR	[8]
	301000994	1	POMPE NP5 10-12	[9]
	301000792	1	POMPE NP5 17-20	[10]
00	301001619	1	PUMP NP5 2.5G22N 9.4L/MIN 150BAR ALTO	[11]

## Part Notes:

- [1] - 5-63
- [2] - 5-46 60HZ
- [3] - 5-31  
STOCK COVERS GUARANTEE
- [4] - 5-62 60HZ  
GUARANTEE DATE EXPIRED
- [5] - 5-51, 5-54 50HZ
- [6] - 5-43, 5-46 50HZ
- [7] - 5-28 60HZ  
NO LONGER AVAILABLE
- [8] - 5-54 60HZ, 5-58  
STOCK COVERS GUARANTEE
- [9] - 5-28
- [10] - 5-62 50HZ
- [11] - 5-21  
NO LONGER AVAILABLE



Resource notes:

\* NOTE: 230/400/3/50 \*BE\*NO\*, 220/440/3/60 \*US\*KR\*TW\* \*\* NOTE: 5-28, 5-31, 5-46, 5-51, 5-54\*KR\*TW\*, 5-58, 5-62\*KR\*TW\*, DSS \*\*\*\* NOTE: 230/400/3/50 \*BE\*NO\*, 220/440/3/60 \*US\*KR\*TW\*

Pos.	Réf article	Qté	Désignation	Notes
0-	101118143	1	START RELAY KIT F. POSEIDON 5-6-7 1PH US	[1]
1	301000402	1	RÉSISTANCE 15 KΩ	[2]
2	301001056	1	CONDENSATEUR 98 µF	[3]
3	301000834	1	CÂBLE D'ALIMENTATION EUROPA	[4]
4	909100019	1	ECROU M20X1.5	
4	909100020	1	HEXAGON THIN NUT M25X1.5 EN 50262 PA	[5]
5	909100043	1	RACCORD À VIS POUR CÂBLES	
5	909100198	1	SCREWED CABLE GLAND M25X1.5	[5]
6	301000829	1	CÂBLE D'ALIMENTATION EUROPA	[6]
7	301000912	1	CÂBLE D'ALIMENTATION GB	[7]
8	64579	1	COMMUTATEUR Y/16A	[8]
8	301000293	1	BORNIER - ETOILE/TRIANGLE	[9]
9	64581	2	TUYAU D10 X D4 X 20	[10]
10	909100046	2	VIS KA40X8	
11	11060	1	RELAIS	[3]
12	301001660	1	CARTE ELECTRONIQUE 120V	[11]
12	301001104	1	PLATINE À CIRCUIT IMPRIMÉ	[12]
13	301000768	1	BOÎTIER	[13]
14	101406054	1	JOINT	
15	301000769	1	SUPPORT INFERIEUR	[14]
16	301001183	1	JOINT	[13]
17	11565	4	VIS POUR PLASTIQUE 5 0X18	
18	64586	1	AUTOCOLLANT	[8]
18	64787	1	LABEL 220-440V CHANGE-OVER 74X28	[15]
19	22290	1	PROFILÉ SUPPORT 1 M	
20	1814585	6	VIS K30X12	
21	64580	1	BOUTON TOURNANT	[16]
22	40045	2	VIS M4X30	[17]
23	101117855	1	CABLE MOTEUR 7 POLES 1PH 1.5MM2	[18]
23	101117858	1	POSEIDON MOTOR CABLE 9-WIRE 3 PH 2.5MM2	[19]
23	101117857	1	POS. MOTOR CABLE 9-WIRE 3PH 1.5MM2 NO	[20]
23	101117856	1	CABLE MOTEUR POSEIDON 9-WIRE 3PH 1.5MM2	[21]
24	301001058	1	INTERRUPTEUR 0-1 10A 400VAC	
25	52061A	1	CAPHEADGEAR FOR 45035D	[22]
26	301001133	2	COLLIER D10/7	
27	301001000	1	VANNE DETERGENT	
28	301000767	1	COUVERCLE BOITIER ELECT.	[13]
29	9868	1	JOINT TORIQUE 10.2X2.5 NBR 70	
30	1814730	2	VIS	
31	909100214	1	BOUTON TOURNANT BLEU	
32	909100204	1	BOUTON TOURNANT 6X5 BLUE	
33	18274	2	VIS TETE FRAISEE M4X12	
34	301000074	1	RESISTANCE 470 OHM 3W	[23]
35	64773	1	CONTACT AUXILIAIRE 100-SBL11	[23]
35	101118041	1	ANDELI LA8-DN11 SIDE MOUNT AUX CONTACT	[24]
36	301000687	2	BORNIER	[25]
37	301000689	1	PLAQUE	[3]
38	63914	1	CONTACTEUR ÉLECTROMAGNÉTIQUE 100-C30KG10	[26]
38	103822303	1	CONTACTEUR CJX2-D18 18A 400V 3P+NO	[27]
38	103822310	1	CONTACTOR CJX2-D25-M7 220V 50/60HZ	[28]
38	103822304	1	CONTACTEUR CJX2-D18 18A 230V 3P+NO	[29]
38	103822315	1	CONTACTOR CJX2-D32 32A 220V 3P+NO	[30]
38	103822309	1	CONTACTOR CJX2-D25 25A 230V 3P+NO	[31]
38	103822311	1	CONTACTOR CJX2-D25-F7 110V	[32]
39	101118011	1	INTERRUPTEUR	[33]
39	301000952	1	INTERRUPTEUR	[34]
40	3817483	1	BORNIER	
40	14506	1	6IRE TERMINAL 10QMM	[35]
41	101117839	1	BORNIER	

Pos.	Réf article	Qté	Désignation	Notes
42	32535	4	VIS M5X16 ISO4762	[36]
42	10369	4	VIS M5X25	[14]
44	301000407	1	POWER CORD SJOW AWG10/3X9.0	[37]
45	301001384	1	POWER CORD VCT 4X3.5X10,8M W/O PLUG AEH	[38]
45	301000833	1	FIL ÉLECTRIQUE	[39]
45	301001466	1	POWER CORD SJOW AWG12/4X11	[40]
46	15884	1	COLLIER 4.7X1.3X350	[2]
47	3288	1	VIS M4X8	[2]
48	1814621	1	GUIDE SUPPORT	[41]
49	301001219	1	PLUG D6XD8X5.4 PE BLACK	[36]
50	301001390	1	POWER CORD H07RN-F 3G1.5X6.0 SABS164	[42]
51	3821316	1	POWER CORD AWG12/3X11 SJTOW	[43]
52	301001229	1	CONNECTEUR GRIP GRIS 3X4QMM 400V 24A	[44]
53	15319	1	HEXAGON NUT M4	[3]
54	1804699	1	SCREW M5 X 6 ISO 7045 ZN	[13]
55	3376	1	RONDELLE FREIN D 5	
56	101406054	1	JOINT	
57	301002353	1	LIMITEUR DE COURANT DE DÉMARRAGE	[45]
58	301001906	1	CAPUCHON	
59	101117996	1	RELAIS DE DEMARRAGE RVA 4N3D	[46]
59	107140968	1	RELAIS DE DEMARRAGE RVAH4AH0C	[47]
60	301002462	1	TRANSFORMATEUR 23V/24V 2VA	[48]
61	301002165	1	BORNIER WAGO 5 POLES 222-415	[47]
62	107140150	1	FITTING FOR STARTER RELAY POSEIDON 5	[13]
63	301000263	1	FUSIBLE	
64	107141571	1	CABLE GLAND KIT	[13]

## Part Notes:

- [1] - US, for machines produced before 18.09.08
- [2] - 5-21, 5-28, 5-31, 5-51
- [3] - 5-21, 5-28, 5-31
- [4] - 400/3/50 \*EU\*
- [5] - 5-46, 5-51, 5-58
- [6] - 230/1/50 \*EU\*, 220/1/60\*TW\*KR\*  
STOCK COVERS GUARANTEE
- [7] - 230/1/50 \*GB\*
- [8] - 230/400/3/50 \*BE\*NO\*
- [9] - 220/440/3/60 \*US\*KR\*TW\*
- [10] - STOCK COVERS GUARANTEE
- \* NOTE: 230/400/3/50 \*BE\*NO\*, 220/440/3/60 \*US\*KR\*TW\*
- [11] - 5-21  
STOCK COVERS GUARANTEE
- [12] - NOTE: 5-28, 5-31, 5-46, 5-51, 5-54\*KR\*TW\*, 5-58, 5-62\*KR\*TW\*, DSS
- [13] - STOCK COVERS GUARANTEE
- [14] - 5-21, 5-28, 5-31  
STOCK COVERS GUARANTEE
- [15] - 220/440/3/60\*US\*KR\*TW\*  
STOCK COVERS GUARANTEE
- [16] - NOTE: 230/400/3/50 \*BE\*NO\*, 220/440/3/60 \*US\*KR\*TW\*
- TSB-PPW-2016-007 Rotary knob for Voltage selector switch 230V-400V must be sealed with lacquer
- [17] - STOCK COVERS GUARANTEE
- NOTE: 230/400/3/50 \*BE\*NO\*, 220/440/3/60 \*US\*KR\*TW\*
- [18] - 230/1/50,60, 120/1/60  
STOCK COVERS GUARANTEE
- [19] - 200/3/50,60, 220/1/60\*US\*  
STOCK COVERS GUARANTEE
- [20] - \*\*\*\*\* SEE NOTE  
STOCK COVERS GUARANTEE



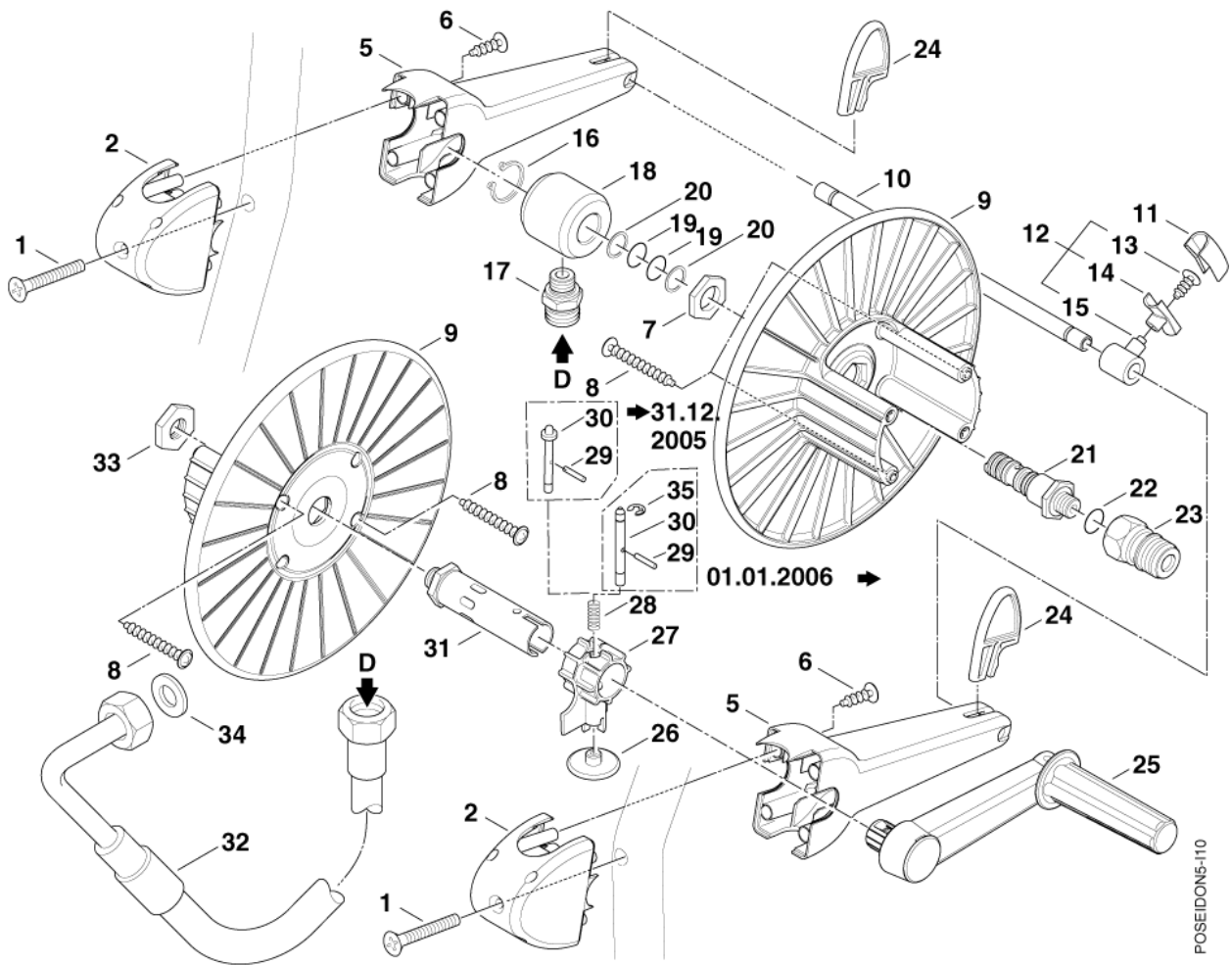
- [21] - 400/3/50  
STOCK COVERS GUARANTEE
- [22] - CLOSED SEE MI-SP-007
- [23] - \*\*\*\*\* SEE NOTE
- [24] - ANDELI  
STOCK COVERS GUARANTEE
- [25] - 5-21, 5-28, 5-51
- [26] - JP
- [27] - 400/3/50
- [28] - 200/3/50,60
- [29] - 220,230/1/50,60
- [30] - 220/1/60  
STOCK COVERS GUARANTEE
- [31] - \*\*\*\* NOTE
- [32] - 120/1/60
- [33] - WITHOUT, OHNE ELECTRONICS
- [34] - WITH, MIT ELECTRONICS
- [35] - 5-51  
STOCK COVERS GUARANTEE
- [36] - 5-43, 5-46, 5-51, 5-54, 5-58, 5-62, 5-63
- [37] - 220/1/60\*US\*  
STOCK COVERS GUARANTEE
- [38] - 200/3/50,60 \*JP\*
- [39] - \*\*\*\* SEE NOTE  
STOCK COVERS GUARANTEE
- [40] - 220,460/3/60\*US\*  
GUARANTEE DATE EXPIRED
- [41] - 5-21, 5-28, 5-31, 5-51  
STOCK COVERS GUARANTEE
- [42] - 230/1/50\*ZA\*  
NO LONGER AVAILABLE
- [43] - 120/1/60 \*US\*  
STOCK COVERS GUARANTEE
- [44] - 400/3/50, 220/1/60
- [45] - 5-28, 5-31, 5-51
- [46] - UK, AU  
STOCK COVERS GUARANTEE
- [47] - 5-51
- [48] - 5-51  
GUARANTEE DATE EXPIRED



Pos.	Réf article	Qté	Désignation	Notes
0-	106403123	1	PISTOLET ERGO 2000 VARIO PRESS	[1]
0-	106403122	1	PISTOLET ERGO 2000 STANDARD	[2]
00	301001100	1	FLEXIBLE HP 15M DN8 2X3/8M+ERGO FEMELLE	[3]
00	101405770	1	FLEXIBLE HP 10M DN8 2X3/8M+ERGO FEMELLE	[4]
00	101119484	1	RACCORD TOURNANT ERGO	[5]
1	106402291	1	LANCE TURBOHAMMER PLUS L113 W11 0500	[6]
1	106402292	1	LANCE TURBOHAMMER PLUS L113 W11 0550	[7]
1	106403010	1	LANCE TORNADO PLUS COURBEE L112	[8]
2	101119741	1	BUSE TORNADO PLUS 0500	[9]
2	101119743	1	BUSE TORNADO PLUS 0550	[10]
2	101119738	1	BUSE TORNADO PLUS 0400	[11]
2	101119742	1	BUSE TORNADO PLUS 0530	[12]
2	101119749	1	BUSE TORNADO PLUS 0750	[13]
3	301001310	1	KIT ENROULEUR POSEIDON 5	[3]

## Part Notes:

- [1] - ERGO 2000 VP Spray handle  
5-41, 5-55, 5-61
- [2] - ERGO 2000 Spray handle
- [3] - 5-31XT, 5-32XT, 5-41XT, 5-55XT, 5-61XT, 5-63XT
- [4] - 5-31, 5-32, 5-41, 5-47, 5-55, 5-61
- [5] - 5-41, 5-47, 5-55, 5-61
- [6] - 5-41XT, 5-55XT  
TURBOHAMMER PLUS lance
- [7] - TURBOHAMMER PLUS lance
- [8] - TORNADO PLUS lance
- [9] - 5-47, 5-55
- [10] - 5-31, 5-32
- [11] - 5-41 5-41
- [12] - 5-61
- [13] - 5-63



Pos.	Réf article	Qté	Désignation	Notes
00	301001310	1	KIT ENROULEUR POSEIDON 5	
1		2	Screw M6x65	
2	301000809	2	SUPPORT	
5	301000929	2	SUPPORT	
6	1814641	4	VIS K50X30	
7	62696	1	ECROU HEX M24X1.5X6	
8	909100153	4	VIS K60X40	
9	301000775	2	TAMBOUR D'ENROULEMENT	
10	107140355	1	AXE	
11	301000674	1	GUIDE DE FLEXIBLE	
12	301000780	1	GUIDE DE FLEXIBLE	
13	10028	1	VIS KA50X14	
14	301000676	1	GUIDE DE FLEXIBLE	
15	301000672	1	SUPPORT	
16	1802057	1	ANNEAU SEEGER 20X1.0	
17	54590	1	RACCORD	
18	301000977	1	COUSSINET	
19	19620	2	JOINT TORIQUE 15.0 X2.65	
20	63792	2	BAGUE - D16.26X2.18	
21	301000976	1	VIS CREUSE	
22	1801075	1	ANNEAU DE JOINT	
23	1600493	1	RACCORD RAPIDE MALE HP EN 3/8	
24	301000927	2	SUPPORT	
25	301000733	1	MANIVELLE	
26	909100362	1	BOUCHON	
27	301001010	1	CORPS	
28	909100151	1	RESSORT	
29	16067	1	GOUPILLE	
30	301001009	1	BOULON	
31	301001007	1	AXE	
32	301001092	1	FLEXIBLE HAUTE PRESSION DN 8, 1,2 M	
33	909100145	1	ÉCROU	
34	65466	1	JOINT CUIVRE 8X15X1 DIN7603 A	
35	1806538	1	LOCK WASHER	



---

Pos.	Réf article	Qté	Désignation	Notes
	301001961	1	TOTAL CHECK P5-28/43	[1]
	301001965	1	TOTAL CHECK P5-54	[2]
	301001962	1	TOTAL CHECK P5-54/62	[2]
	301001963	1	TOTAL CHECK P5-63	[2]
	301001967	1	TOTAL CHECK P5-62	[2]
	301001966	1	TOTAL CHECK P5-54 XT	[2]
	301001964	1	TOTAL CHECK P5-28/43	[2]
	301001968	1	TOTAL CHECK P5-63	[2]

## Part Notes:

- [1] - STOCK COVERS GUARANTEE
- [2] - GUARANTEE DATE EXPIRED

